



SERVICE MANUAL

TYPE YS1003

YCV40/T

WEB ACCESS: <http://www.yorkville.com>

WORLD HEADQUARTERS CANADA

Yorkville Sound
550 Granite Court
Pickering, Ontario
L1W-3Y8 CANADA

Voice: (905) 837-8481
Fax: (905) 837-8746

U.S.A.

Yorkville Sound Inc.
4625 Witmer Industrial Estate
Niagara Falls, New York
14305 USA

Voice: (716) 297-2920
Fax: (716) 297-3689



Quality and Innovation Since 1963
Printed in Canada



IMPORTANT SAFETY INSTRUCTIONS



INSTRUCTIONS PERTAINING TO A RISK OF FIRE, ELECTRIC SHOCK, OR INJURY TO PERSONS

INSTRUCTIONS RELATIVES AU RISQUE DE FEU, CHOC ÉLECTRIQUE, OU BLESSURES AUX PERSONNES

CAUTION:

TO REDUCE THE RISK OF ELECTRIC SHOCK, DO NOT REMOVE COVER (OR BACK).

NO USER SERVICEABLE PARTS INSIDE.

REFER SERVICING TO QUALIFIED SERVICE PERSONNEL.

AVIS:

AFIN DE REDUIRE LES RISQUE DE CHOC ELECTRIQUE, N'ENLEVEZ PAS LE COUVERT (OU LE PANNEAU ARRIERE)

NE CONTIENT AUCUNE PIECE REPARABLE PAR L'UTILISATEUR.

CONSULTEZ UN TECHNICIEN QUALIFIE POUR L'ENTRETIEN

Read Instructions

The Owner's Manual should be read and understood before operation of your unit. Please, save these instructions for future reference.

Packaging

Keep the box and packaging materials, in case the unit needs to be returned for service.

Warning

When using electric products, basic precautions should always be followed, including the following:

Power Sources

Your unit should be connected to a power source only of the voltage specified in the owners manual or as marked on the unit. This unit has a polarized plug. Do not use with an extension cord or receptacle unless the plug can be fully inserted. Precautions should be taken so that the grounding scheme on the unit is not defeated.

Hazards

Do not place this product on an unstable cart, stand, tripod, bracket or table. The product may fall, causing serious personal injury and serious damage to the product. Use only with cart, stand, tripod, bracket, or table recommended by the manufacturer or sold with the product. Follow the manufacturer's instructions when installing the product and use mounting accessories recommended by the manufacturer.

The apparatus should not be exposed to dripping or splashing water; no objects filled with liquids should be placed on the apparatus.

Terminals marked with the "lightning bolt" are hazardous live; the external wiring connected to these terminals require installation by an instructed person or the use of ready made leads or cords.

Ensure that proper ventilation is provided around the appliance.

No naked flame sources, such as lighted candles, should be placed on the apparatus.

Power Cord

The AC supply cord should be routed so that it is unlikely that it will be damaged. If the AC supply cord is damaged DO NOT OPERATE THE UNIT.

Service

The unit should be serviced only by qualified service personnel.

Veillez Lire le Manuel

Il contient des informations qui devraient être comprises avant l'opération de votre appareil. Conservez S.V.P. ces instructions pour consultations ultérieures.

Emballage

Conservez la boîte au cas où l'appareil devait être retourner pour réparation.

Attention:

Lors de l'utilisation de produits électrique, assurez-vous d'adhérer à des précautions de bases incluant celle qui suivent:

Alimentation

L'appareil ne doit être branché qu'à une source d'alimentation correspondant au voltage spécifié dans le manuel ou tel qu'indiqué sur l'appareil. Cet appareil est équipé d'une prise d'alimentation polarisée. Ne pas utiliser cet appareil avec un cordon de raccordement à moins qu'il soit possible d'insérer complètement les trois lames. Des précautions doivent être prises afin d'éviter que le système de mise à la terre de l'appareil ne soit désengagé.

Risque

Ne pas placer cet appareil sur un chariot, un support, un trépied ou une table instables. L'appareil pourrait tomber et blesser quelqu'un ou subir des dommages importants. Utiliser seulement un chariot, un support, un trépied ou une table recommandés par le fabricant ou vendus avec le produit. Suivre les instructions du fabricant pour installer l'appareil et utiliser les accessoires recommandés par le fabricant.

Il convient de ne pas placer sur l'appareil de sources de flammes nues, telles que des bougies allumées.

L'appareil ne doit pas être exposé à des égouttements d'eau ou des éclaboussures et qu'aucun objet rempli de liquide tel que des vases ne doit être placé sur l'appareil.

Assurez que l'appareil est fourni de la propre ventilation.

Les dispositifs marqués d'un symbole "d'éclair" sont des parties dangereuses au toucher et que les câblages extérieurs connectés à ces dispositifs de connection extérieure doivent être effectués par un opérateur formé ou en utilisant des cordons déjà préparés.

Cordon d'Alimentation

Évitez d'endommager le cordon d'alimentation. N'UTILISEZ PAS L'APPAREIL si le cordon d'alimentation est endommagé.

Service

Consultez un technicien qualifié pour l'entretien de votre appareil.

YCV40 Parts List 4/26/2006

YS #	Description	Qty.	YS #	Description	Qty.	YS #	Description	Qty.
6397	JEWELLED PILOT LAMP AMBER REG V1	1	3552	NYLON SPRING CLAMP	4	8820	#8 FLAT WASHER JS500	4
5906	RED 3MM LED 1V9 20MA .4SPCER T&R	1	3810	4" NYLON CABLE TIE	14	8817	#10 FLAT WASHER FOR 3/16" BOLT	8
6398	RED 5MM LED 1V5 20MA HIGH EFF	1	8430	YCV40 CHICKEN-BEAK KNOB	11	3522	DPDT MINI PC VERT SNP ALT	4
6399	YEL 5MM LED 1V5 20MA HIGH EFF	1	8504	CORNER, 2 LEGS NOTCED LIP NICKEL	8	3698	SPST ROKR SW QUIK 180° AC PWR BL/BL	1
5907	YEL 3MM LED 1V9 20MA .4SPCER T&R	1	8638	AP MIXER SERIES PUSH SW BUTTON GREY	4	3731	SPRING RETAINER FOR OUTPUT TUBE	2
5908	GRN 3MM LED 1V9 20MA .4SPCER T&R	1	3428	8' 3/18 SJT AC LINE CORD REMOVABLE	1	3732	9 PIN PC MOUNT TUBE SOCKET BE	3
6825	1N4148 75V 0A45 DIODE T&R	6	8264	YBA/YCV LOGO EMBOSSED ALUMINUM	1	3733	8 PIN PC MOUNT TUBE SOCKET	2
6438	1N4007 400V 1A0 DIODE T&R	10	3674	9 CIR CABLE HOLDER .098	4	1324	YCV40 POWER 120VAC 60HZ XFMR	1
6461	1N5240BRL 10V0 0W5 ZENER 5% T&R	1	8701	4-40 KEPS NUT ZINC	2	1324M	YCV40 OUTPUT XFMR	1
6465	1N5250B 20V0 0W5 ZENER 5% T&R	1	8800	6-32 KEPS NUT ZINC	3			
6475	1N5262B 51V0 0W5 ZENER 5% T&R	7	8890	1/4-20 CAGE NUT C79-88142027	4			
6731	7824 TO220 P 24V0 REG	1	3796	ELASTOMER PAD TSIL 1.0X0.8	1			
5101	BC550C TO92 NPN TRANSISTOR T&R	4	3850	TO-220 PLASTIC TRANSISTOR INSULATOR	2			
5103	MPSA06 TO92 NPN TRANSISTOR T&R TA	3	4599	22AWG SOLID SC WIR T&R JMP	61			
5104	MPSA56 TO92 PNP TRANSISTOR T&R	2	5299	24AWG SOLID SC WIR RAD JMP	1			
6873	MJE340 TO126 NPN TRANSISTOR TG	1	4748	2.0W 3R9 5% T&R	1			
6730	IRF830 TO220 NCH MFET TN	1	2008	1.0W 10R 5%FLAME PROOF T&R RES	2			
6884	NE5532N IC DUAL OP AMP	2	4817	1/4W 47R 5% T&R RES	2			
6880	4N35 OPTO-COUPLER	1	2019	1/8W 100R0 1%FLAME PROOF T&R RES	2			
6467	10K 10% THERMISTOR NTC TO-92	1	4852	1/4W 100R 5% T&R RES	3			
5203	.47P 100V 2%CAP T&R RAD CER.2"NPO	1	2022	1.0W 220R 5%FLAME PROOF T&R RES	2			
5196	150P 100V 2%CAP T&R RAD CER.2"NPO	1	4821	1/4W 470R 5% T&R RES	2			
5197	220P 100V 2%CAP T&R RAD CER.2"NPO	2	4891	1/4W 620R 5% T&R RES	2			
5201	470P 100V 5%CAP T&R RAD CER.2"NPO	3	4822	1/4W 820R 5% T&R RES	2			
5206	.1N 400V 5%CAP T&R RAD .2"FLM	2	4726	5.0W 1K 5% BLK RES	1			
5422	.1N 50V 10%CAP T&R BEAD NPO	1	4823	1/4W 1K 5% T&R RES	1			
5273	.1N5 200V 5%CAP T&R RAD CER.2"NPO	1	4913	1.0W 1K 5% T&R RES	2			
5425	.1N8 50V 10%CAP T&R BEAD X7R	1	4824	1/4W 1K5 5% T&R RES	4			
5274	.2N2 200V 5%CAP T&R RAD CER.2"NPO	3	4631	1/2W 2K 5% T&R RES	2			
5209	.4N7 250V 5%CAP T&R RAD .2"FLM	1	4847	1/4W 2K2 5% T&R RES	6			
6451	.4N7 250V 20%CAP BLK Y' 10MM AC	1	4864	1/4W 2K7 5% T&R RES	1			
5272	.6N8 100V 5%CAP T&R RAD .2"FLM	2	4826	1/4W 3K3 5% T&R RES	2			
5834	.10N 250V 20%CAP BLK RAD POLY FLM	2	4827	1/4W 4K7 5% T&R RES	3			
5840	.22N 400V 10%CAP BLK RAD POLY FLM	3	4663	1/2W 8K2 5% T&R RES	2			
6435	.22N 275V 20%CAP BLK X2' 15MM AC	1	4829	1/4W 10K 5% T&R RES	9			
5224	.47N 100V 10%CAP T&R RAD .2"FLM	4	4983	1/4W 10K 5%MINI T&R RES	1			
5841	.47N 250V 10%CAP RAD POLYFILM BULK	1	4831	1/4W 18K 5% T&R RES	2			
5227	.82N 100V 5%CAP T&R RAD .2"FLM	1	4833	1/4W 27K 5% T&R RES	5			
5228	100N 100V 5%CAP T&R RAD .2"FLM	5	4868	1/4W 36K 5% T&R RES	2			
5314	100N 50V 10%CAP T&R BEAD X7R	1	4834	1/4W 47K 5% T&R RES	8			
5865	100N 250V 10%CAP BLK RAD POLY FLM	1	4586	1/4W 82K 5%MINI T&R RES	1			
5231	220N 63V 10%CAP T&R RAD .2"FLM	3	4838	1/4W 100K 5% T&R RES	12			
5882	220N 250VDC 10%CAP BLK RAD POLY FLM	2	4942	1/4W 100K 5% .2"U T&R RES	1			
5233	330N 63V 5%CAP T&R RAD .2"FLM	1	6120	1/4W 100K 5%MINI T&R RES	1			
5234	470N 63V 10%CAP T&R RAD .2"FLM	1	4776	1/4W 113K 1% T&R RES	4			
5257	.2U2 63V 20%CAP T&R RAD .2"EL	1	4851	1/4W 120K 5% T&R RES	5			
5945	.10U 63V 20%CAP T&R RAD .2"EL	1	4790	2.0W 150K 5%10MM BODY T&R RES	2			
5959	.10U 450V 20%CAP BLK EL	4	4668	2.0W 220K 5%10MM BODY T&R RES	1			
5631	.22U 50V 20%CAP T&R 6X7MM .2"EL	14	6126	1/4W 220K 5%MINI T&R RES	4			
5902	82U 450V 20%CAP BLK 22X30MM	1	4842	1/4W 330K 5% T&R RES	2			
5879	100U 16V 20%CAP T&R 8X7MM .2"EL	3	4865	1/4W 390K 5% T&R RES	1			
5914	100U 63V 20%CAP BLK 10X13MM EL	1	4843	1/4W 470K 5% T&R RES	4			
5621	470U 63V 20%CAP BLK 12X25MM EL	1	4844	1/4W 1M 5% T&R RES	6			
TFS-2B	TRAYNOR DUAL FOOTSWCH 10' CORD-BULK	1	4845	1/4W 2M2 5% T&R RES	1			
4423	.20K 15AAUDIO 9MM P32	3	3610	10" 9C-26AWG RIB 3/4" NOTCH 0.1"	2			
4424	100K 1B LIN 9MM P32	3	3700	RELAY 2C 01AMP DC24 015MA PC-S	2			
4425	500K 15AAUDIO 9MM P32	5	3537	ACC# 4EB3C1B LONG REVERB	1			
4520	.10K TRIM POT	1	8865	4-40 X 5/16 PAN PH MS JS500	18			
713	25 X 20 X 50 2 MIL PLASTIC BAG	1	8741	4-40 X 1/2 PAN PH MS JS500	2			
3976	SNAP ON 0.843" INSULATING BUSHING	2	8832	6-32 X 1/4 PAN PH TAPTITE JS500	11			
8522	RUBBER BUMPER WITH WASHER -SMALL-	4	8801	6-32 X 3/8 PAN PH TAPTITE JS500	3			
3478	CLIP 205/187X032 18-22AWG DISCO/INS	5	8829	6-32 X 3/8 FLAT PH TAPTITE BO#4 HEA	11			
3489	CLIP 250X032 18-22AWG DISCO/INSL	2	8757	#6 X 5/8 PAN PHIL TYPE A ZINC CLEAR	2			
3491	CLIP 205/187X020 18-22AWG DISCO/INS	2	8785	#8 X 3/4 OVAL PH TYPE A BLACK OXIDE	2			
3494	CLIP 205/187X020 14-16AWG DISCO/INS	2	8722	#8 X 1" PAN QUAD TYPE AB B/O	4			
3602	RING TERMINAL 18AWG WIRE & #8 SCREW	1	8809	10-32 X 1/4 PAN PH TAPTITE JS500	25			
3682	250 MALE PCB TAB REEL	16	8734	#10 X 1/2 PAN PH TYP A BRITE NICKEL	16			
NYS224	280 PLUG NEUTRIK NYS224	1	8756	#10 X 3/4 PAN PH TYPE A BLACK OXIDE	4			
3498	1/4" JCK PCB MT HORZ	3	8727	#10 X 1" PAN PH TYPE A JS500 BLACK	4			
3523	1/4" JCK PCB MT HORZ GOLD T__	1	8843	10-32 X 1 1/8 FLAT PH MS JS500	2			
3528	1/4" JCK PCB MT HORZ GOLD TR	1	8786	10-32 X 1 1/4 PAN QD MS JS500 BLACK	8			
3921	1/4" JCK PCB MT VERT STER RT SWT	1	8862	#10 X 1 1/2 PAN PH TYPE A JS500	4			
3890	36"90"RCA DUAL RED-WHITE PREFAB CBL	1	8770	1/4-20 X 1 5/16 TRUSS PH MS JS500	4			
3914	RCA SNGL PCB MT HORZ	2	3741	.5 SPACER ID-.171 OD-.25 #912-500	4			
3451	EYELET SMALL 0.089 OD PLATED	35	3865	1/2 PLASTIC HEX SPACER #6	11			
2403	T2A 5X20MM FUSE	1	3858	3/4 PLASTIC HEX SPACER #4	7			
8456	10.0" STRAP HANDLE, NICKEL COVERS	1	TUBE10	10" 8R 30WPGM SPEAKER CELESTION	2			
8604	10-32 T NUT	10	8482	3/8 1D FLAT WASHER	1			
8889	RUBBER GROMMET #2183-034-BLK	4	8488	3/8 INT TOOTH LOCKWASHE ZINC	1			
3438	IEC PWR SOC W/.205TAB & FUSE 10A250V	1	8491	#10 SPLIT LOCK WASHER BO	8			

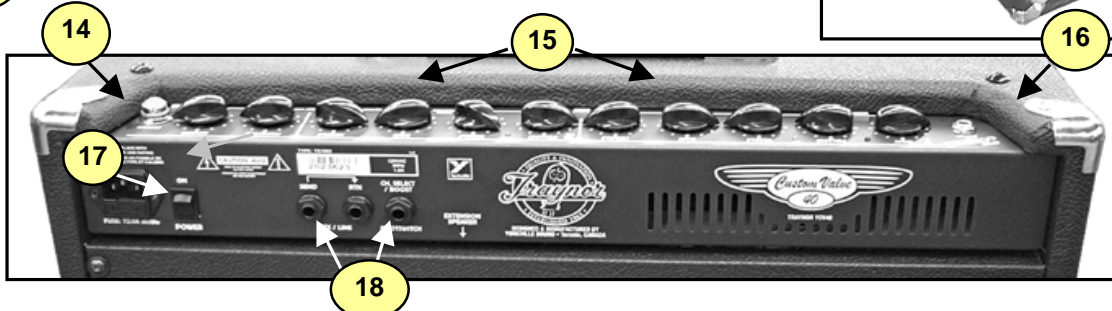
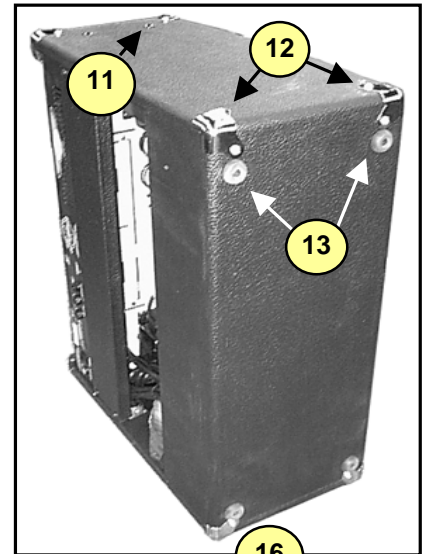
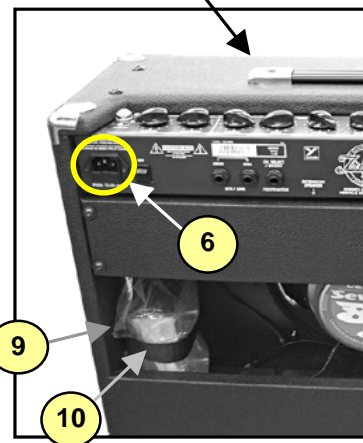
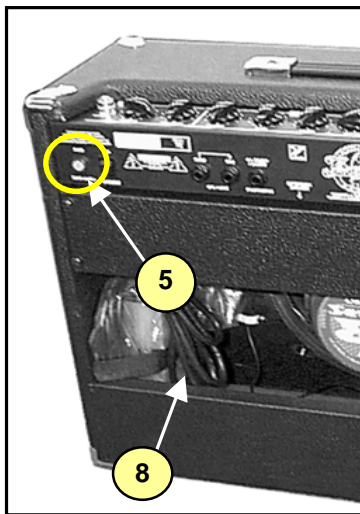
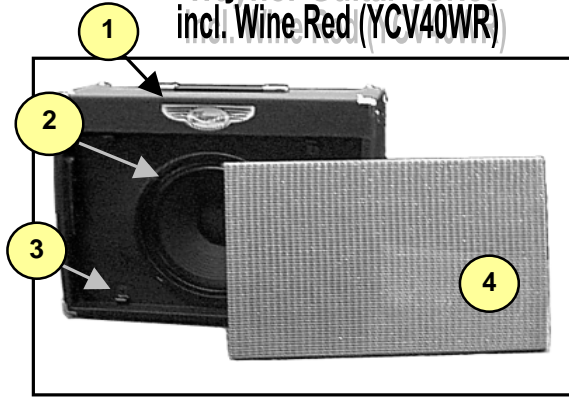
YCV40T Parts List 4/26/2006

YS #	Description	Qty.	YS #	Description	Qty.	YS #	Description	Qty.
6397	JEWELLED PILOT LAMP AMBER REG V1	1	3810	4" NYLON CABLE TIE	14	3698	SPST ROKR SW QUIK 180° AC PWR BL/BL	1
5906	RED 3MM LED 1V9 20MA .4SPCER T&R	1	8430	YCV40 CHICKEN-BEAK KNOB	11	3731	SPRING RETAINER FOR OUTPUT TUBE	2
6398	RED 5MM LED 1V5 20MA HIGH EFF	1	8504	CORNER, 2 LEGS NOTCED LIP NICKEL	8	3732	9 PIN PC MOUNT TUBE SOCKET BE	3
6399	YEL 5MM LED 1V5 20MA HIGH EFF	1	8638	AP MIXER SERIES PUSH SW BUTTON GREY	4	3733	8 PIN PC MOUNT TUBE SOCKET	2
5907	YEL 3MM LED 1V9 20MA .4SPCER T&R	1	3428	8' 3/18 SJT AC LINE CORD REMOVABLE	1	1324	YCV40 POWER 120VAC 60HZ XFMR	1
5908	GRN 3MM LED 1V9 20MA .4SPCER T&R	1	8264	YBA/YCV LOGO EMBOSSED ALUMINUM	1	1324M	YCV40 OUTPUT XFMR	1
6825	1N4148 75V 0A45 DIODE T&R	6	3674	9 CIR CABLE HOLDER .098	4			
6438	1N4007 400V 1A0 DIODE T&R	10	8701	4-40 KEPS NUT ZINC	2			
6461	1N5240BRL 10V0 0W5 ZENER 5% T&R	1	8800	6-32 KEPS NUT ZINC	3			
6465	1N5250B 20V0 0W5 ZENER 5% T&R	1	8890	1/4-20 CAGE NUT C79-88142027	4			
6475	1N5262B 51V0 0W5 ZENER 5% T&R	7	3796	ELASTOMER PAD TSIL 1.0X0.8	1			
6731	7824 TO220 P 24V0 REG	1	3850	TO-220 PLASTIC TRANSISTOR INSULATOR	2			
5101	BC550C TO92 NPN TRANSISTOR T&R	4	4599	22AWG SOLID SC WIR T&R JMP	61			
5103	MPSA06 TO92 NPN TRANSISTOR T&R TA	3	5299	24AWG SOLID SC WIR RAD JMP	1			
5104	MPSA56 TO92 PNP TRANSISTOR T&R	2	4748	2.0W 3R9 5% T&R	1			
6873	MJE340 TO126 NPN TRANSISTOR TG	1	2008	1.0W 10R 5%FLAME PROOF T&R RES	2			
6730	IRF830 TO220 NCH MFET TN	1	4817	1/4W 47R 5% T&R RES	2			
6884	NE5532N IC DUAL OP AMP	2	2019	1/8W 100R0 1%FLAME PROOF T&R RES	2			
6880	4N35 OPTO-COUPLER	1	4852	1/4W 100R 5% T&R RES	3			
6467	10K 10% THERMISTOR NTC TO-92	1	2022	1.0W 220R 5%FLAME PROOF T&R RES	2			
5203	.47P 100V 2%CAP T&R RAD CER.2"NPO	1	4821	1/4W 470R 5% T&R RES	2			
5196	150P 100V 2%CAP T&R RAD CER.2"NPO	1	4891	1/4W 620R 5% T&R RES	2			
5197	220P 100V 2%CAP T&R RAD CER.2"NPO	2	4822	1/4W 820R 5% T&R RES	2			
5201	470P 100V 5%CAP T&R RAD CER.2"NPO	3	4726	5.0W 1K 5% BLK RES	1			
5206	.1N 400V 5%CAP T&R RAD .2"FLM	2	4823	1/4W 1K 5% T&R RES	1			
5422	.1N 50V 10%CAP T&R BEAD NPO	1	4913	1.0W 1K 5% T&R RES	2			
5273	.1N5 200V 5%CAP T&R RAD CER.2"NPO	1	4824	1/4W 1K5 5% T&R RES	4			
5425	.1N8 50V 10%CAP T&R BEAD X7R	1	4631	1/2W 2K 5% T&R RES	2			
5274	.2N2 200V 5%CAP T&R RAD CER.2"NPO	3	4847	1/4W 2K2 5% T&R RES	6			
5209	.4N7 250V 5%CAP T&R RAD .2"FLM	1	4864	1/4W 2K7 5% T&R RES	1			
6451	.4N7 250V 20%CAP BLK Y' 10MM AC	1	4826	1/4W 3K3 5% T&R RES	2			
5272	.6N8 100V 5%CAP T&R RAD .2"FLM	2	4827	1/4W 4K7 5% T&R RES	3			
5834	.10N 250V 20%CAP BLK RAD POLY FLM	2	4663	1/2W 8K2 5% T&R RES	2			
5840	.22N 400V 10%CAP BLK RAD POLY FLM	3	4829	1/4W 10K 5% T&R RES	9			
6435	.22N 275V 20%CAP BLK X2' 15MM AC	1	4983	1/4W 10K 5%MINI T&R RES	1			
5224	.47N 100V 10%CAP T&R RAD .2"FLM	4	4831	1/4W 18K 5% T&R RES	2			
5841	.47N 250V 10%CAP RAD POLYFILM BULK	1	4833	1/4W 27K 5% T&R RES	5			
5227	.82N 100V 5%CAP T&R RAD .2"FLM	1	4868	1/4W 36K 5% T&R RES	2			
5228	100N 100V 5%CAP T&R RAD .2"FLM	5	4834	1/4W 47K 5% T&R RES	8			
5314	100N 50V 10%CAP T&R BEAD X7R	1	4586	1/4W 82K 5%MINI T&R RES	1			
5865	100N 250V 10%CAP BLK RAD POLY FLM	1	4838	1/4W 100K 5% T&R RES	12			
5231	220N 63V 10%CAP T&R RAD .2"FLM	3	4942	1/4W 100K 5% .2"U T&R RES	1			
5882	220N 250VDC 10%CAP BLK RAD POLY FLM	2	6120	1/4W 100K 5%MINI T&R RES	1			
5233	330N 63V 5%CAP T&R RAD .2"FLM	1	4776	1/4W 113K 1% T&R RES	4			
5234	470N 63V 10%CAP T&R RAD .2"FLM	1	4851	1/4W 120K 5% T&R RES	5			
5257	.2U2 63V 20%CAP T&R RAD .2"EL	1	4790	2.0W 150K 5%10MM BODY T&R RES	2			
5945	.10U 63V 20%CAP T&R RAD .2"EL	1	4668	2.0W 220K 5%10MM BODY T&R RES	1			
5959	.10U 450V 20%CAP BLK EL	4	6126	1/4W 220K 5%MINI T&R RES	4			
5631	.22U 50V 20%CAP T&R 6X7MM .2"EL	14	4842	1/4W 330K 5% T&R RES	2			
5902	82U 450V 20%CAP BLK 22X30MM	1	4865	1/4W 390K 5% T&R RES	1			
5879	100U 16V 20%CAP T&R 8X7MM .2"EL	3	4843	1/4W 470K 5% T&R RES	4			
5914	100U 63V 20%CAP BLK 10X13MM EL	1	4844	1/4W 1M 5% T&R RES	6			
5621	470U 63V 20%CAP BLK 12X25MM EL	1	4845	1/4W 2M2 5% T&R RES	1			
TFS-2B	TRAYNOR DUAL FOOTSWCH 10' CORD-BULK	1	3610	10" 9C-26AWG RIB 3/4" NOTCH 0.1"	2			
4423	.20K 15AAUDIO 9MM P32	3	3700	RELAY 2C 01AMP DC24 015MA PC-S	2			
4424	100K 1B LIN 9MM P32	3	3537	ACC# 4EB3C1B LONG REVERB	1			
4425	500K 15AAUDIO 9MM P32	5	8865	4-40 X 5/16 PAN PH MS JS500	18			
4520	.10K TRIM POT	1	8741	4-40 X 1/2 PAN PH MS JS500	2			
713	25 X 20 X 50 2 MIL PLASTIC BAG	1	8832	6-32 X 1/4 PAN PH TAPTITE JS500	11			
3976	SNAP ON 0.843" INSULATING BUSHING	2	8801	6-32 X 3/8 PAN PH TAPTITE JS500	3			
8522	RUBBER BUMPER WITH WASHER -SMALL-	4	8829	6-32 X 3/8 FLAT PH TAPTITE BO#4 HEA	11			
3478	CLIP 205/187X032 18-22AWG DISCO/INS	5	8757	#6 X 5/8 PAN PHIL TYPE A ZINC CLEAR	2			
3489	CLIP 250X032 18-22AWG DISCO/INSL	2	8722	#8 X 1" PAN QUAD TYPE AB B/O	4			
3494	CLIP 205/187X020 14-16AWG DISCO/INS	2	8809	10-32 X 1/4 PAN PH TAPTITE JS500	25			
3602	RING TERMINAL 18AWG WIRE & #8 SCREW	1	8734	#10 X 1/2 PAN PH TYP A BRITE NICKEL	16			
3682	250 MALE PCB TAB REEL	16	8756	#10 X 3/4 PAN PH TYPE A BLACK OXIDE	2			
NYS224	280 PLUG NEUTRIK NYS224	1	8843	10-32 X 1 1/8 FLAT PH MS JS500	2			
3498	1/4" JCK PCB MT HORZ	3	8786	10-32 X 1 1/4 PAN QD MS JS500 BLACK	4			
3523	1/4" JCK PCB MT HORZ GOLD T__	1	8862	#10 X 1 1/2 PAN PH TYPE A JS500	4			
3528	1/4" JCK PCB MT HORZ GOLD TR__	1	8770	1/4-20 X 1 5/16 TRUSS PH MS JS500	4			
3921	1/4" JCK PCB MT VERT STER RT SWT	1	3741	.5 SPACER ID-.171 OD-.25 #912-500	4			
3890	36"90'RCA DUAL RED-WHITE PREFAB CBL	1	3865	1/2 PLASTIC HEX SPACER #6	11			
3914	RCA SNGL PCB MT HORZ	2	3858	3/4 PLASTIC HEX SPACER #4	7			
3451	EYELET SMALL 0.089 OD PLATED	35	7080	12" 8R 80WPGM SPEAKER CELESTION	1			
2403	T2A 5X20MM FUSE	1	8482	3/8 1D FLAT WASHER	1			
8456	10.0" STRAP HANDLE, NICKEL COVERS	1	8488	3/8 INT TOOTH LOCKWASHE ZINC	1			
8604	10-32 T NUT	6	8491	#10 SPLIT LOCK WASHER BO	8			
8889	RUBBER GROMMET #2183-034-BLK	4	8820	#8 FLAT WASHER JS500	4			
3438	IEC PWR SOC W/.205TAB & FUSE 10A250V	1	8817	#10 FLAT WASHER FOR 3/16" BOLT	8			
3552	NYLON SPRING CLAMP	4	3522	DPDT MINI PC VERT SNP ALT	4			



YCV40

Traynor Guitar Series
incl. Wine Red (YCV40WR)



#	Part#	Description
Labeled Components		
1	8260	TRAYNOR LOGO
2	7080	12" 8R 80WPGM SPEAKER CELESTION
3	8461	TRIM CLIP (PLATED BLK ZINC)
4	Z357	YCV40 GRILLE* ‡
5	3482	LOWPROFILE FUSEHOLDER 1/4" BUSSMANN
6	3438	AC RECEPTACLE / FUSE HOLDER
7	8456	10.0" STRAP HANDLE, NICKEL COVERS
8	3426	AC LINE CORD - #3474(EURO)
9	TFS-2B	TRAYNOR DUAL FOOTSWCH 10' CORD
10	3552	NYLON SPRING CLAMP
11	8770	1/4-20 X 1 5/16 TRUSS PH MS JS5
12	8504	CORNER, 2 LEGS NOTCED LIP NICKEL PLATED
13	8543	RECESSED RUBBER BUMPER WITH WASHER
14	6397	JEWELLED PILOT LAMP AMBER REG
15	8430	CHICKEN-BEAK KNOB
16	3921	1/4" JCK PCB MT VERT STER RT SWT
17	3698	SPST ROKR SW QUIK 180° AC PWR
18	3450 & 3450NUT	1/4" ALL GOLD PC MNT JK SKT
19	3886 & 3890	36" PREFAB. CABLE (RED/BLACK)
20	3537	ACC# 4EB3C1B LONG REVERB
21	8638	PUSH SW BUTTON GREY
22	7025A or 7025B	12AX7 DUAL TRIODE PREAMP TUBE
23	6L6B	6L6GB OUTPUT POWER TUBE
24	7081	12" 8R 60WPGM SPKR CELEST VINTAGE

19/20 REVERB CABLE AND UNIT

21 PUSH BUTTON CAPS

22/23 TUBES

24 WINE RED VERSION SPEAKER

*NOTE: Replacement grilles are 'Special-Order' and are only available while the model is in production.

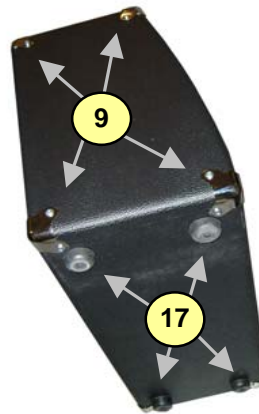
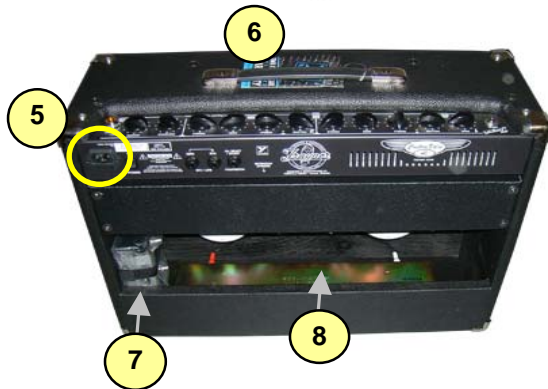
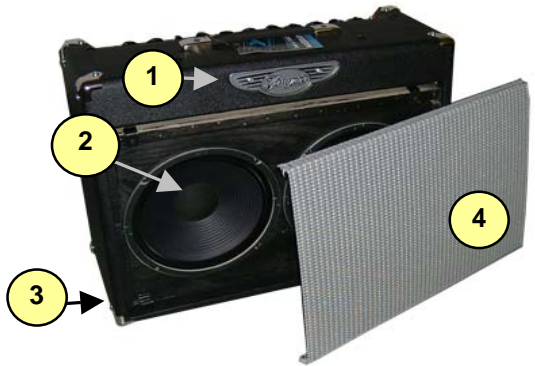
‡ Grilles & Support replacements are for CURRENT models only.

**Real Gear.
Real People.**



YCV40T

Traynor Guitar Series



19 REVERB CABLE

20/21 TUBES



#	Part#	Description
Labeled Components		
1	8260	TRAYNOR LOGO
2	TUBE10	10" 8R 30WPGM SPEAKER CELESTION
3	8461	TRIM CLIP (PLATED BLK ZINC)
4	Z357*	YCV40 GRILL*
5	3438	AC RECEPTACLE / FUSE HOLDER
6	8456	10.0" STRAP HANDLE, NICKEL COVERS
7	TFS-2B	TRAYNOR DUAL FOOTSWCH 10' CORD
8	3537	ACC# 4EB3C1B LONG REVERB
9	8504	CORNER, 2 LEGS NOTCED LIP NICKEL PLATED
10	8770	1/4-20 X 1 5/16 TRUSS PH MS JS5
11	6397	JEWELLED PILOT LAMP AMBER REG
12	8430	CHICKEN-BEAK KNOB
13	8638	PUSH SW BUTTON GREY
14	3921	1/4" JCK PCB MT VERT STER RT SWT
15	3698	SPST ROKR SW QUIK 180° AC PWR
16	3450 & 3450NUT	1/4" ALL GOLD PC MNT JK SKT
17	8543	RECESSED RUBBER BUMPER WITH WASHER
18	3426	AC LINE CORD - #3474(EURO)
19	3886 & 3890	36" PREFAB. CABLE (RED/BLACK)
20	7025A or 7025B	12AX7 DUAL TRIODE PREAMP TUBE
21	6L6B	6L6GB OUTPUT POWER TUBE
22		
23		

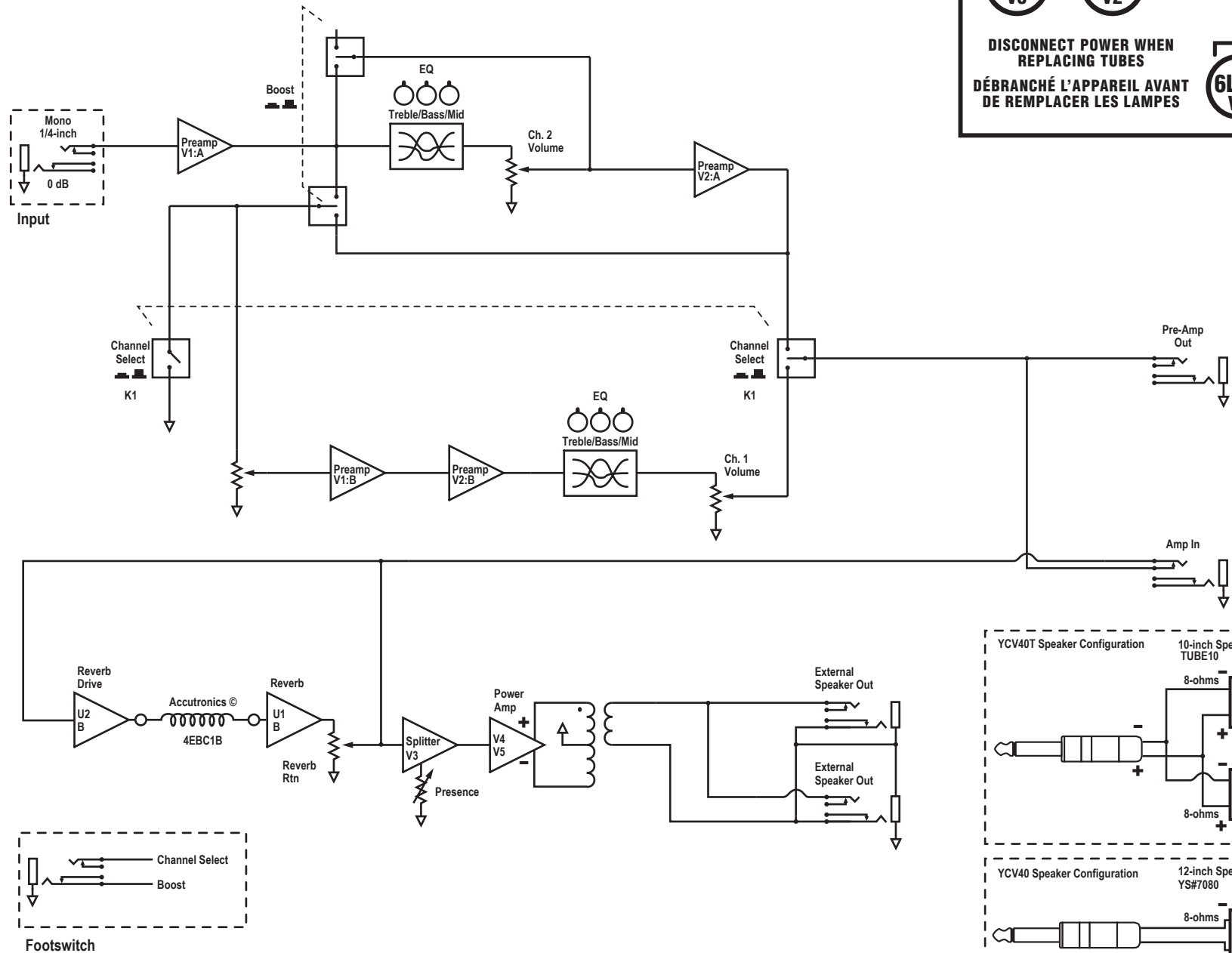
*NOTE: Replacement grilles are 'Special-Order' and are only available while the model is in production.

**Real Gear.
Real People.**

Block Diagram for YCV40 & YCV40T

DESIGNED AND MANUFACTURED BY YORKVILLE SOUND

MODEL TYPE: YS1003



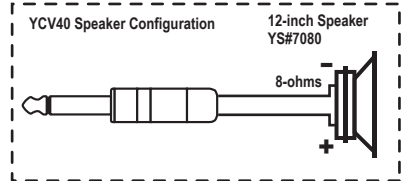
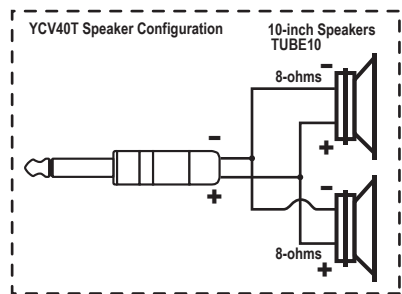
SPLITTER 12AX7 V3

PREAMP 12AX7 V2

POWER 6L6B V5, 6L6B V4

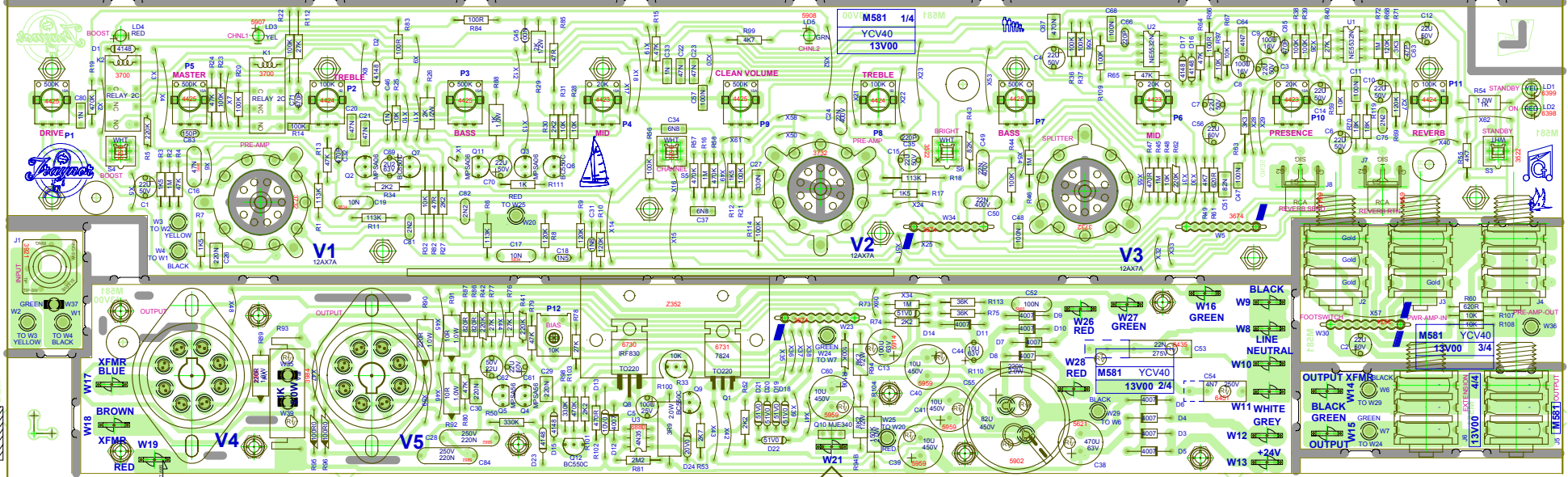
12AX7 V1

DISCONNECT POWER WHEN REPLACING TUBES
DÉBRANCHÉ L'APPAREIL AVANT DE REMPLACER LES LAMPES



BlankSize - 18600x12800 StepAndRepeat - X1@0.000Y2@6.400

BlankSize - 18600x12800



ETCH GUIDE

ETCH GUIDE

Bottom M581 13V00

Pcb Mech M581 13V00

Top Assy M581 13V00

SEE LAYOUT DOCUMENTATION

CLINCH ORIGIN

INSERT ORIGIN

CLINCH ORIGIN

ETCH GUIDE

M851 PCB HISTORY			
MODEL(S):- YCV40			
#	DATE	VER#	DESCRIPTION OF CHANGE
1	NOV/02/00	1.00	FIRST PRODUCTION
2	NOV/03/00	2.00	PC#6305 R63 2K2->3K3 R40 24K->27K
3	DEC/14/00	2.10	PC#6311 ADD D16,D17,R97 AT U2
4	FEB/23/01	2.10	PC#6326 HOLE SIZE FOR C53 .070"->.047"
5	APR/30/01	3.00	PC#6419 ADD Q12,R103 R50 2M2->680K
6			R100 10R 1W->1R 1/4WFP R101 10R/1W->820R 1/4W
7	MAY/25/01		PC#6407 R103 680K->1M
8	JUN/21/01	4.00	PC#6420 ADD R100 220K 2W ACROSS C55
9	NOV/30/01	5.00	PC#6475 R105,R104-Q9 REPLACED BY D15,D18,D19,D20
10	JAN/15/02	6.00	D21,D22 6X 51V ZENER C60 220N->10u 450V
11	MAY/03/02	6.10	NEW SOLDERMASK FOR TABS & RCA JACKS
12	MAY/03/02	6.10	ADD ROUTING BY OUTPUT TUBES
13	MAY/27/02	6.20	PC#6537 R71 2K2->3K3 P11 20KA->100K
1	JUN/24/02	6.30	PC#6539 R106 100K->47K
2	JUL/04/02	7.00	PC#6545 MOVE X57 AND C60
3	SEP/03/02	7.10	PC#6562 R106 47K->100K D15->J76
4	MAR/17/03	8.00	MOVE AC TABS APART FOR CE COMPLIANCE
5	MAR/27/03	9.00	MOVE BREAKAWAY PCB'S TO AID ASSEMBLY
6	AUG/25/03	10.00	PC#6624 UPDATE 9 PIN TUBE SOCKETS
7	NOV/12/03	10.01	TRACE ARTWORK FIXED MANUALLY
8	DEC/03	11.00	CONVERT TO PCAD 2002
9	OCT-15-2004		GT:PC#6744 & 6748: APPLIED YCV50 STANDBY CHANGES (SEE YCV50 V2.00 SCHEMATIC FOR DETAILS)
10	DEC-02-2004		GT:PC#6776 MOVED TOP MULTIPLE TO ADD ZIPPER
11	DEC-02-2004	12.00	AH:PC#6866, ADD CONNECTION PREAMP-STANDBY #6933, CHANGE R78 TO 27K AND ADD TRIM POT 10K
12	JUN-15-2005		
13			
1			PC#6955, MOVE ARC TRACE AWAY FROM TUBES
2			PC#6967, INCREASE CLEARANCES NEAR OUTPUT TUBES
3	DEC-14-2005	12.01	PC#7053:GT:R53 4850 3K9 -> 4864 2K7
4	MAY-18-2006	13.00	PC#7125:GT: J7&J8 #3914 RCA JACK->#6541, PC#7091 ENLARGE HOLES FOR S3-S6 #3522 FOR KINK LEADS MOVED C3 FOR DEPT-S9 FOR COLLISION AVOIDANCE MOVED W8 TRACE AWAY FROM SCREW HOLE, MOVED XC50 BREAKAWAY DOWN IN LINE WITH XC54
5			
6			
7			
8			
9	D	V	N
10	D	V	N
11	D	V	N
12	D	V	N
13	D	V	N

SEE LAYOUT DIAGRAM

M581 DRILL HISTORY			
MODEL(S):- YCV40			
#	DATE	VER#	DESCRIPTION OF CHANGE
1	D	V	N
2	D	V	N
3	D	V	N
4	D	V	N
5	D	V	N
6	D	V	N

M581 PENDING CHANGES		
MODEL(S):- YCV40		
#	PC#	PENDING CHANGE
1	PC	X
2	PC	X
3	PC	X
4	PC	X
5	PC	X
6	PC	X

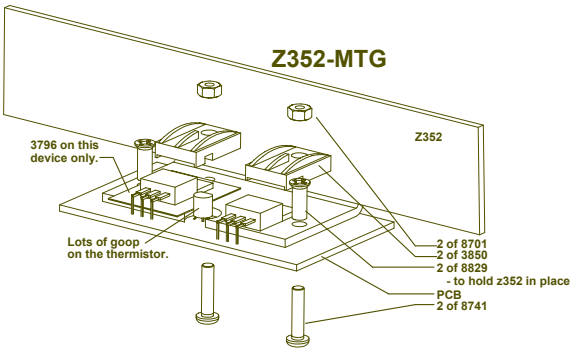
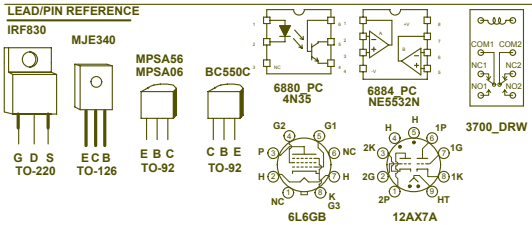
PLACE IMPLEMENTED CHANGES INTO BOARD HISTORY

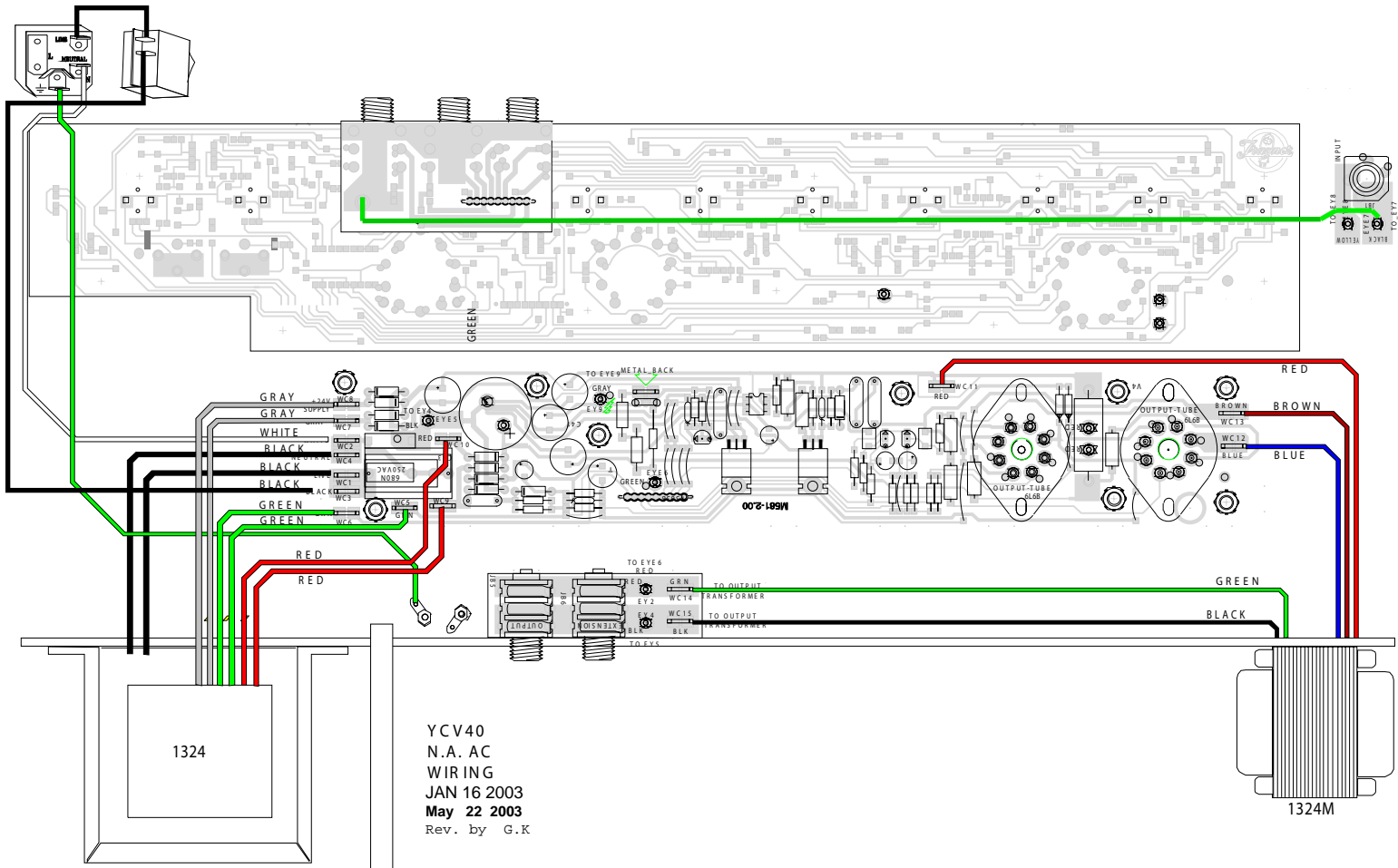
M581 POT LIST			
MODEL(S):- YCV40 TUBE AMP			
REF	FUNCTION	PART#	AS OF
P1	DRIVE	#4425 #8430	11/00
P2	TREBLE	#4424 #8430	11/00
P3	BASS	#4425 #8430	11/00
P4	MID	#4423 #8430	11/00
P5	MASTER	#4425 #8430	11/00
P6	MID	#4423 #8430	11/00
P7	BASS	#4425 #8430	11/00
P8	TREBLE	#4424 #8430	11/00
P9	CLEAN VOLUME	#4425 #8430	11/00
P10	PRESENCE	#4423 #8430	11/00
P11	REVERB	#4424 #8430	11/00

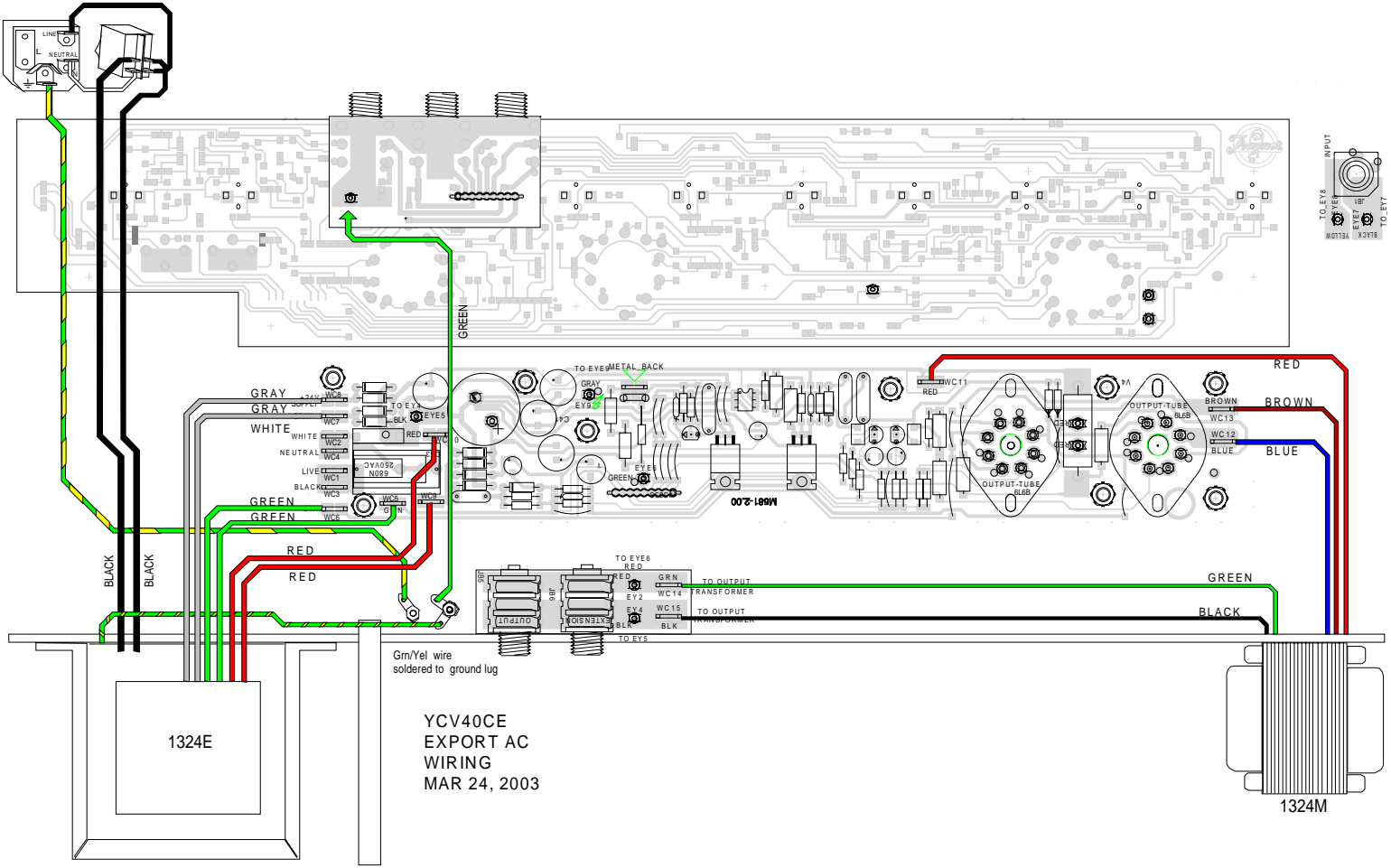
"STYLE_P32"

PRODUCTION NOTES

- RTV MUST BE ADDED TO THE FOLLOWING CAPS C1,C16,C19,C17,C70 BETWEEN C84,C28,C60,C15 BETWEEN C49,C50, ADDED TO C15,C7,C8,C3,C9 C56,C14,C6,C10,C4,C2 AND C12
- C53 IS 22N FOR BOTH NORTH AMERICA AND CE
- C3,C7,C6 MUST BE LOW PROFILE PT#5631
- C8,C9 MUST BE LOW PROFILE PT#5879
- R33 #6467: APPLY THERMAL COMPOUND GENEROUSLY BETWEEN PART AND HEATSINK
- BIAS 350mV ACROSS R91 AND 350mV ACROSS R92





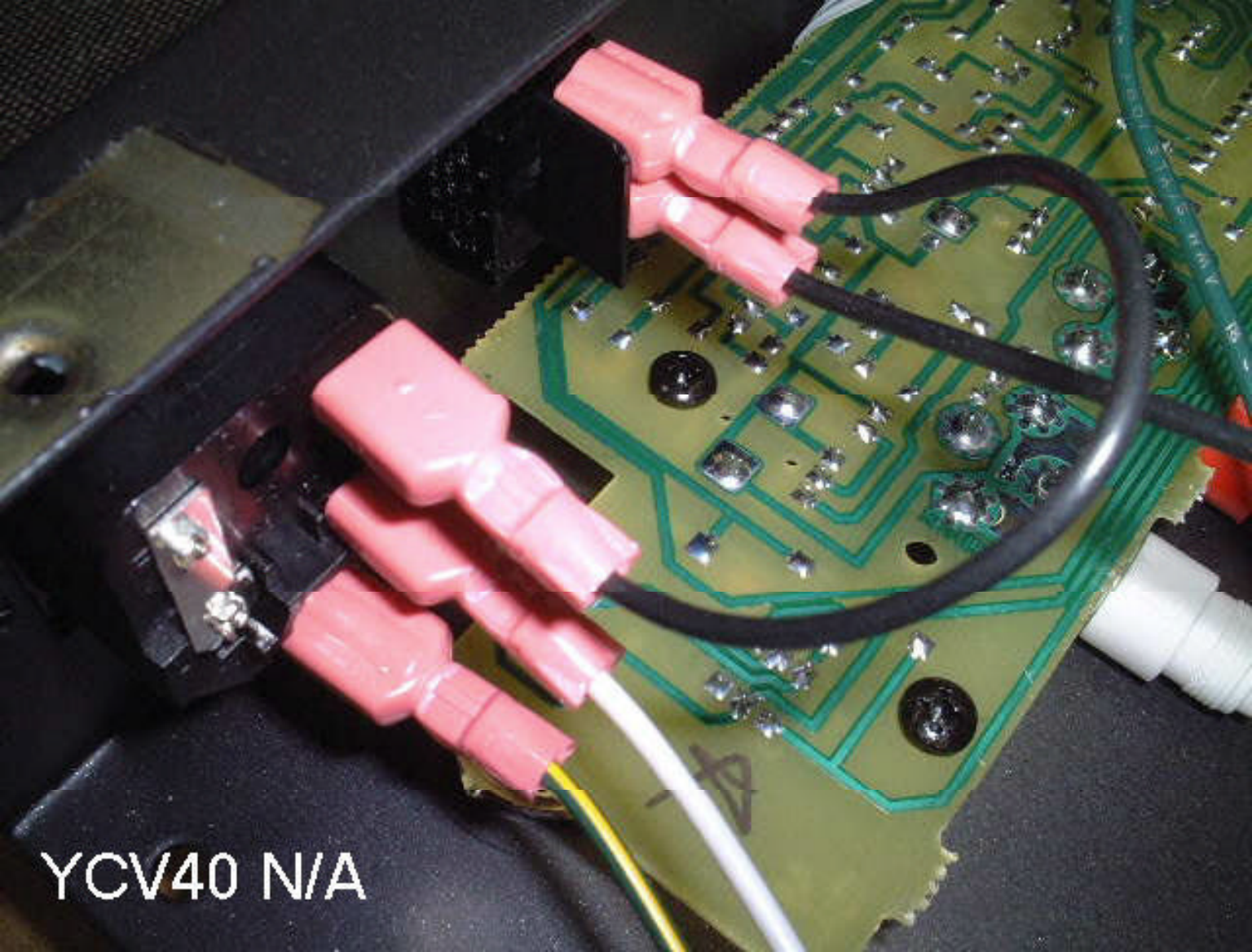


1324E

Gm/Yel wire soldered to ground lug

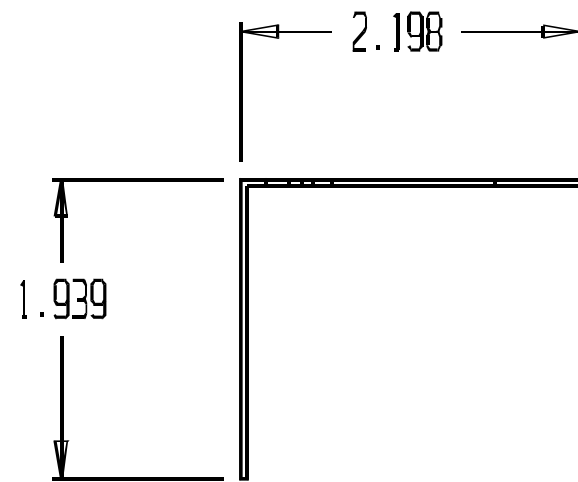
YCV40CE
 EXPORT AC
 WIRING
 MAR 24, 2003

1324M

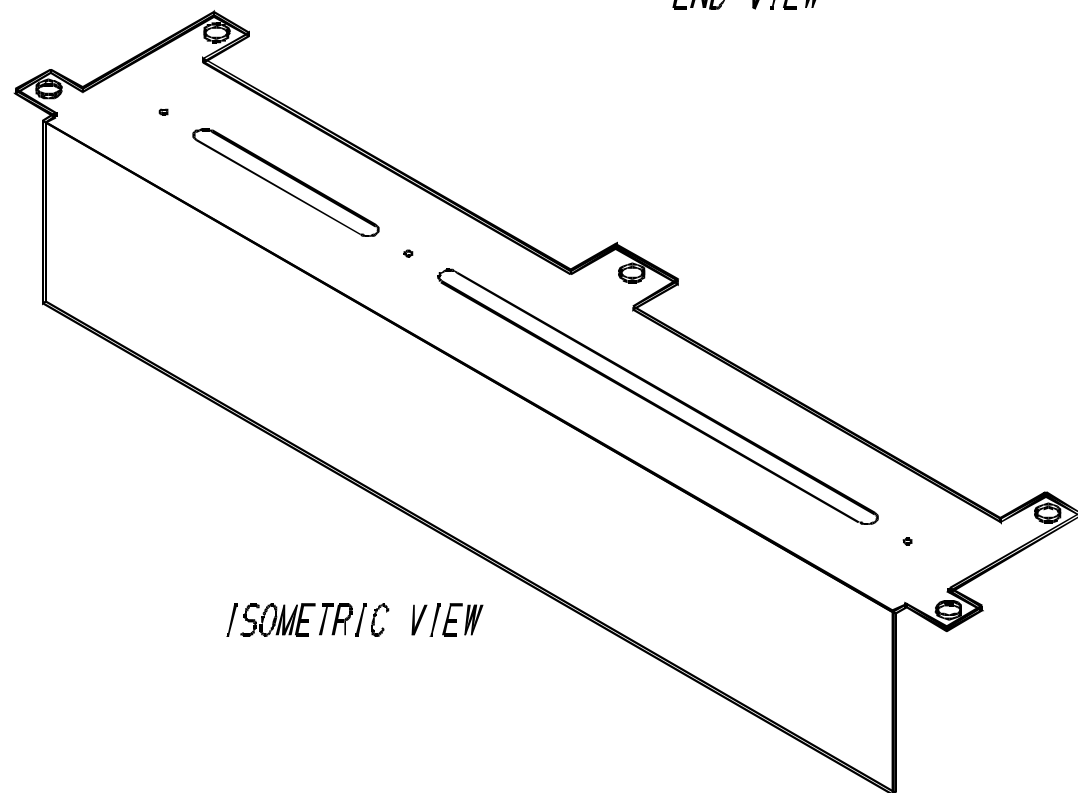


YCV40 N/A

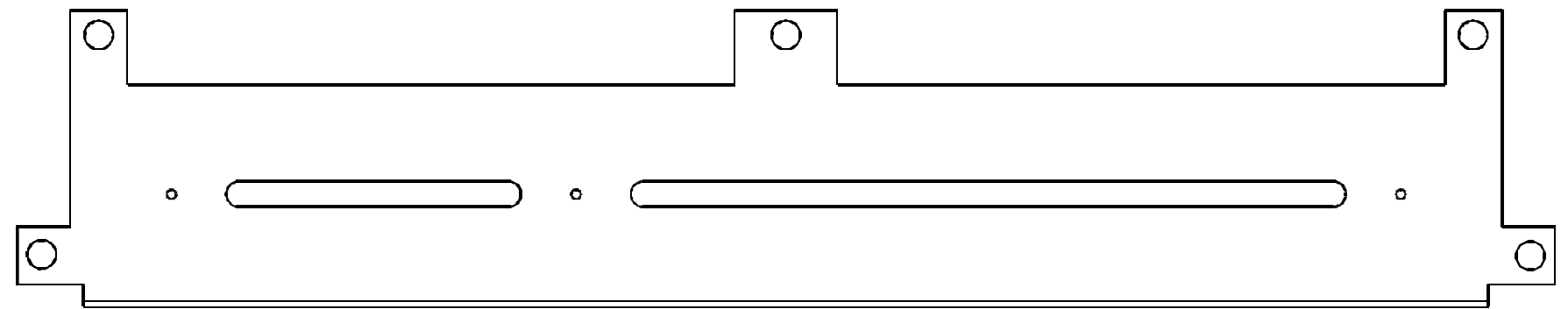
MAT: - 20 GA SATIN COAT
 BLANK: - 48.000 X 96.000
 QTY: - MULTIPLE OF 63 - 1/UNIT
 FINISH:- N/A
 TOL: -



END VIEW

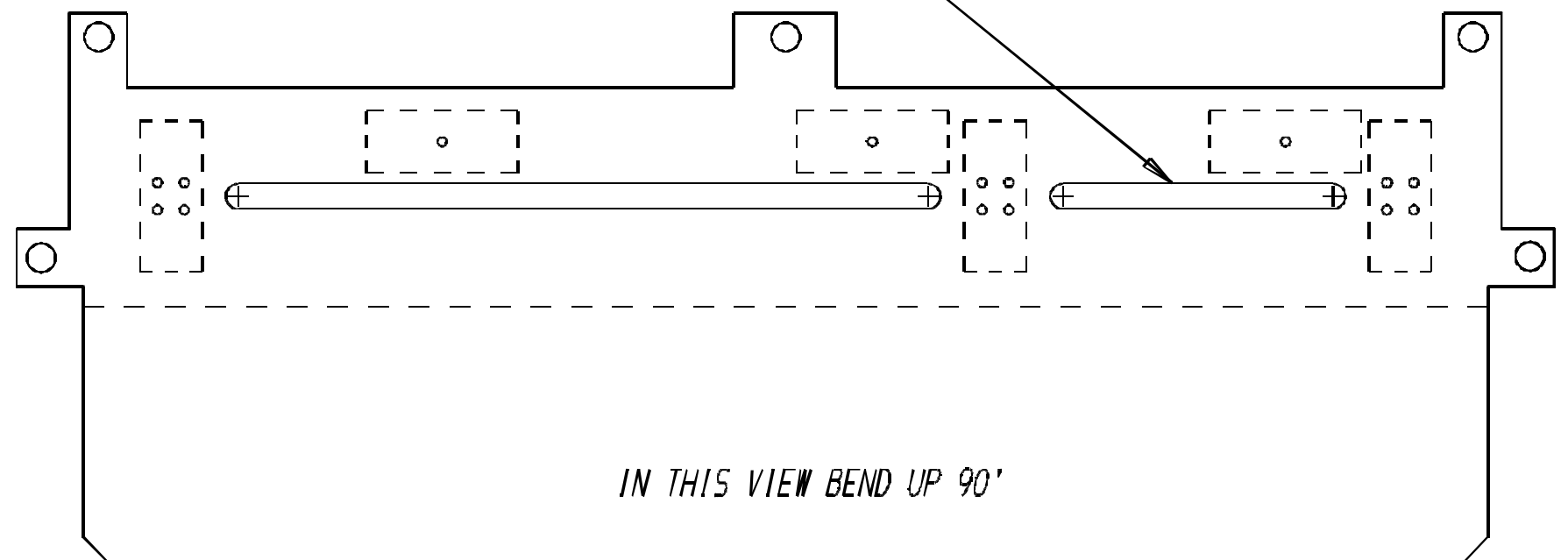


ISOMETRIC VIEW



TOP VIEW

FOR CONSTANT BEAD, SET TOOL AT 7.990



IN THIS VIEW BEND UP 90°

⊙ ⊙ INDICATES LOCATIONS OF FOAM FOR YCV40

• INDICATES FOAM LOCATION FOR YCV80

VERSION 7.00

DESIGN:-
 DRAWN: - DL/AP
 DATE: - AUG/02

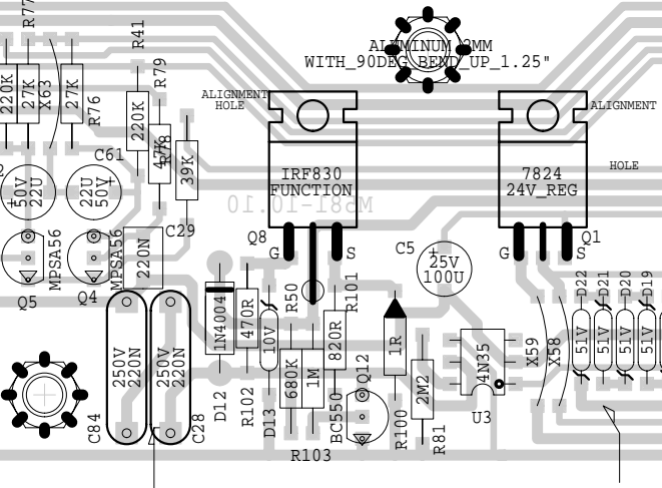
DRW SCALE: -
 PLOT SCALE:-
 FILE NAME: -YCV40/Z358_FP.PRT



TITLE:- YCV40/80 SHIELD
 PART: - Z358
 MODEL:- YCV40/80/CE

DEPT:-

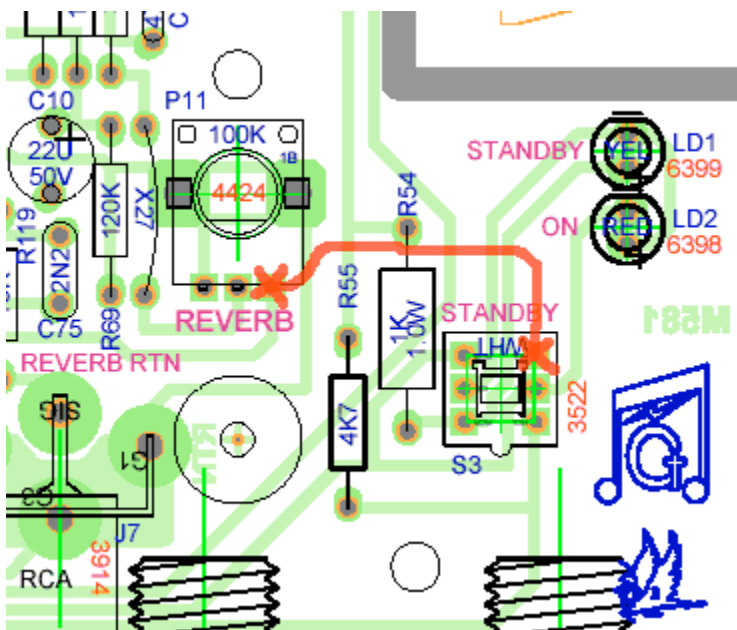
TEXT IS AT .20 AT FULL SIZE

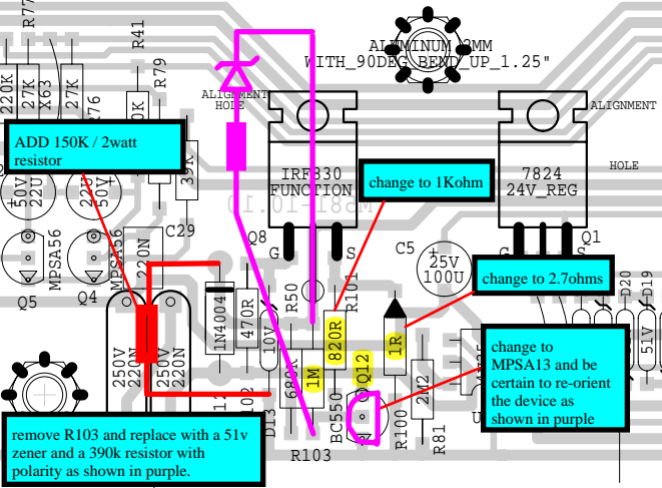


YCV40 m581 Service Update for V11.00 boards

April 2005 boards have been reworked as described in this document.

To address PC#6866 a 22AWG wire, part # 3947 jumper, needs to be soldered from P11 to S3 on the bottom side of the board as shown:





ADD 150K / 2watt resistor

change to 1Kohm

change to 2.7ohms

change to MPSA13 and be certain to re-orient the device as shown in purple

remove R103 and replace with a 51v zener and a 390k resistor with polarity as shown in purple.

