

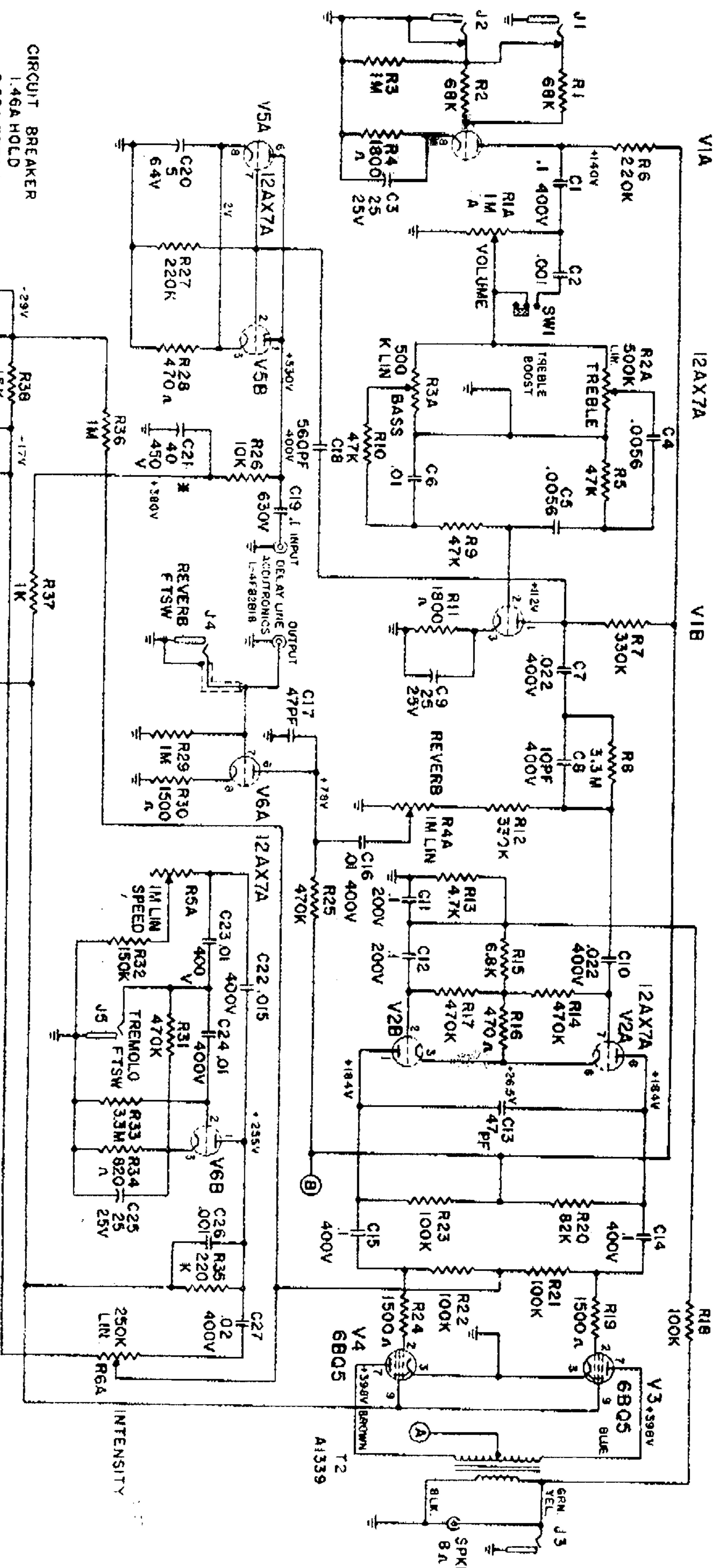
1. ALL CAPS IN MP UNLESS OTHERWISE NOTED.
 2. ALL RESISTANCES IN OHMS. AT 1/2 W. UNLESS OTHERWISE NOTED.
 3. ALL VOLTAGES MEASURED TO 120% WITH 15 MEG. INPUT VOLTMETER.
 * TWO 2 SECTION CAPACITORS
 LAST RESISTOR R44
 LAST CAPACITOR C33

01.02.03.04.05. PH204 OR BY 126

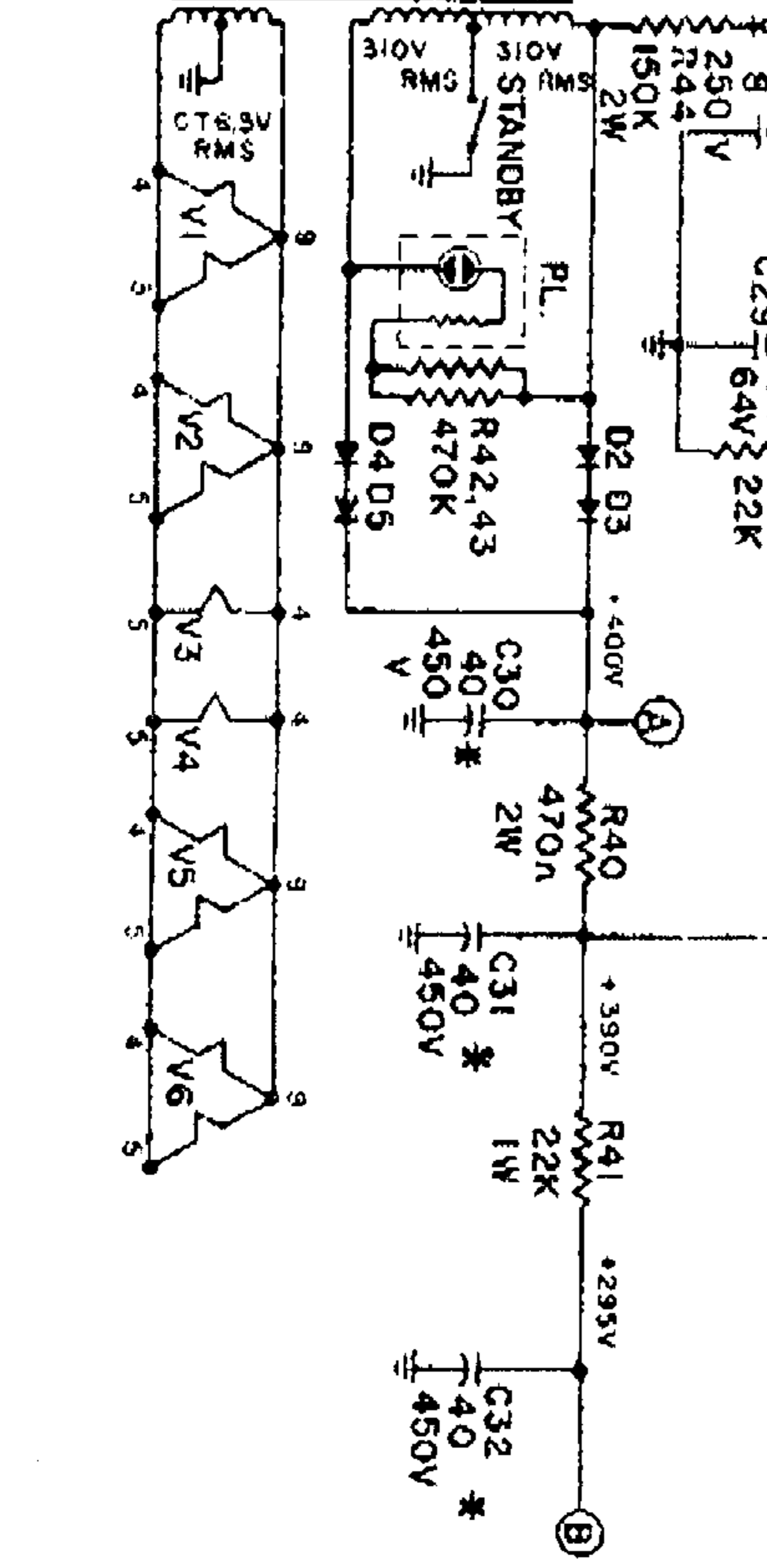
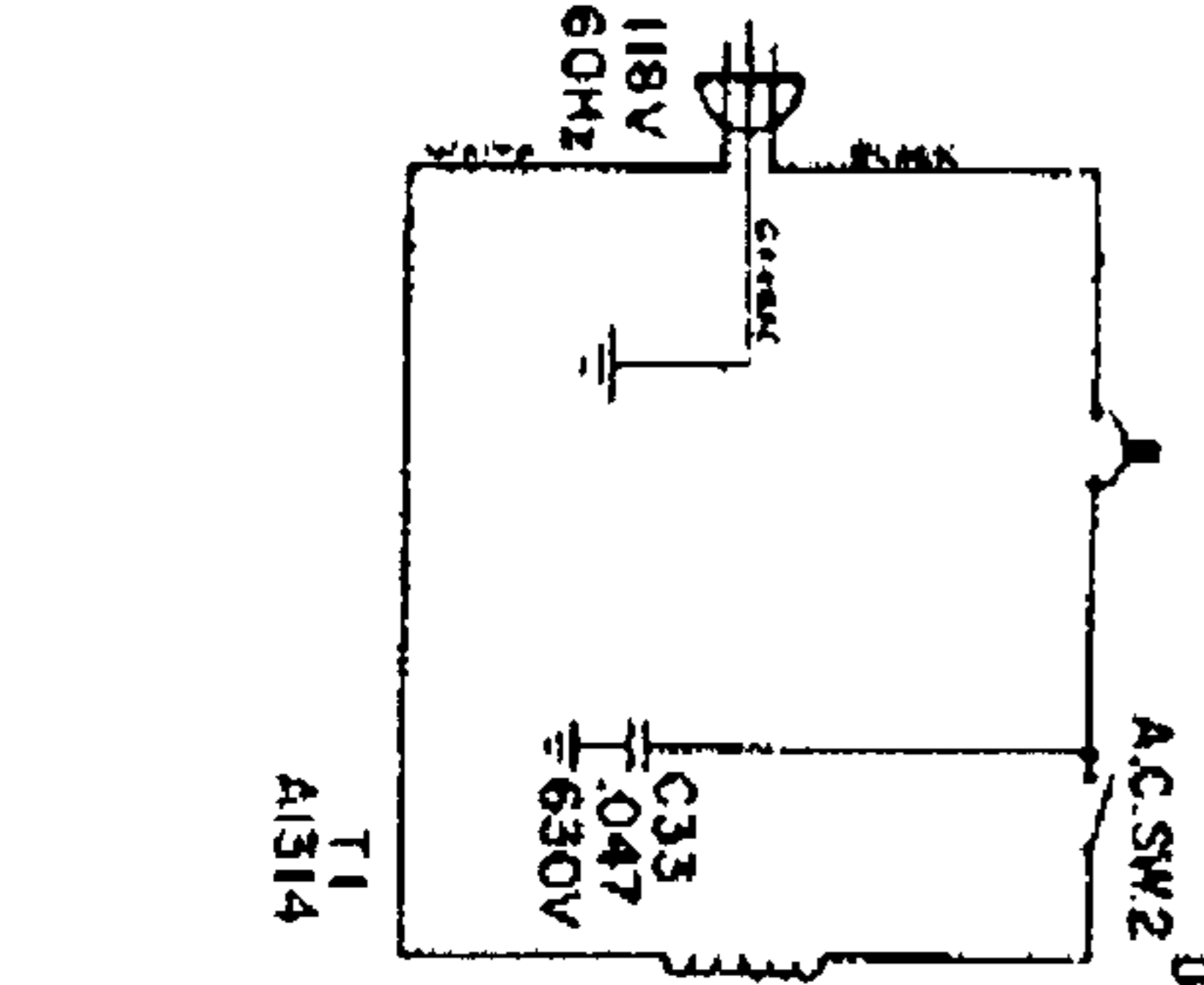
REV	BY	DATE
0003	JTC	07/2/73

YORKVILLE SOUND LTD.
YGM-3 B 4
 Design: TRAYNOR, P. SIMONE
 DWG BY: J. ETARSEY
 APP BY: [Signature]
 DATE: SEPT. 11/73





CIRCUIT BREAKER
1.46A HOLD
2.25A BREAK



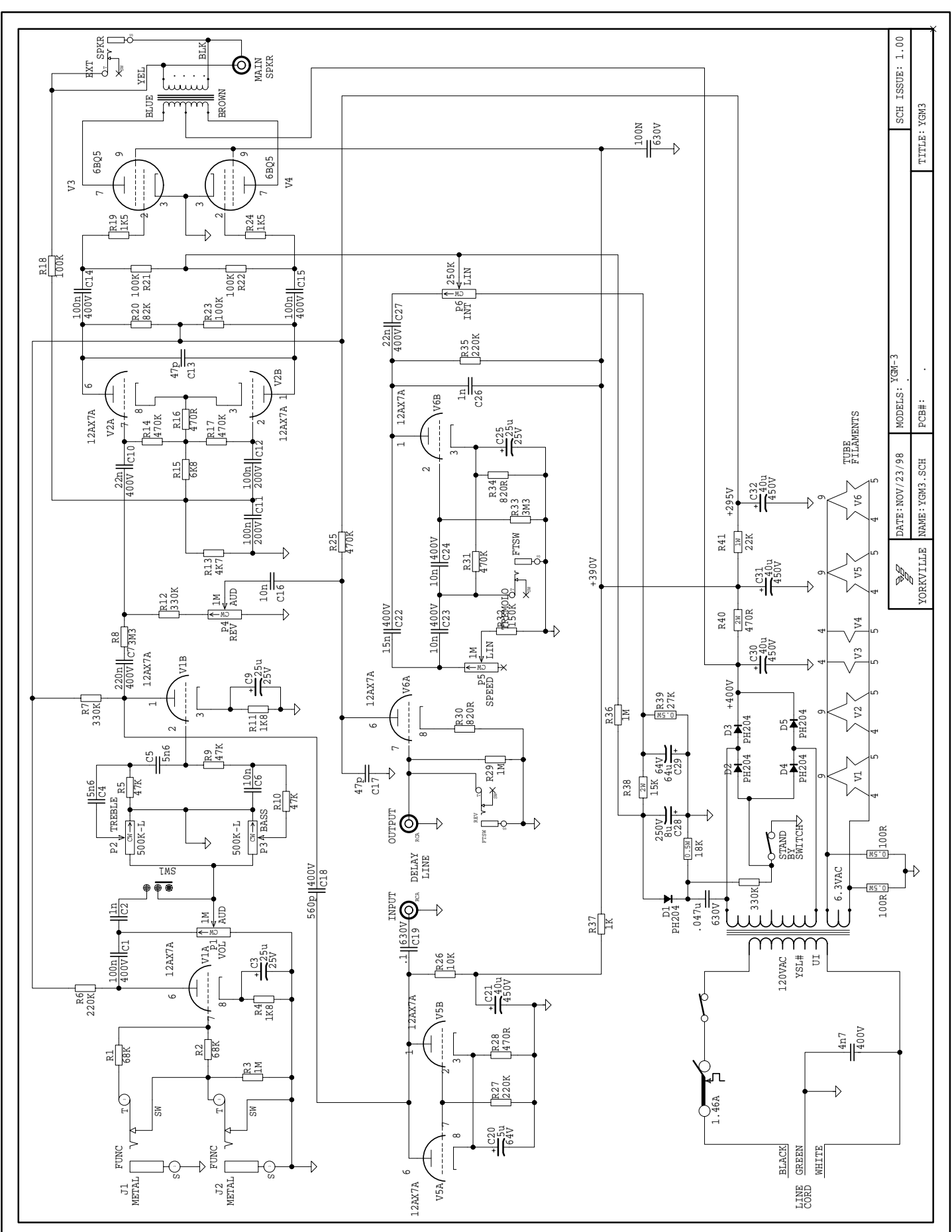
1. ALL CAPS IN MP UNLESS OTHERWISE NOTED.
2. ALL RESISTANCES IN OHMS. AT 1/2 W. UNLESS OTHERWISE NOTED.
3. ALL VOLTAGES MEASURED TO 120% WITH 15 MEG. INPUT VOLTMETER.
* TWO 2 SECTION CAPACITORS
LAST RESISTOR R44
LAST CAPACITOR C33

D1, D2, D3, D4, D5, PH204 OR BY 126

YORKVILLE SOUND LTD.
YGM-3 B 4
Design: TRAYNOR, P. SIMONE
DWG BY: J. ETARSEY
APP BY: [Signature]
DATE: SEPT. 11/73

REV	BY	DATE
001	JET	07/73





YORKVILLE	DATE: NOV/23/98	MODELS: YGM-3	SCH ISSUE: 1.00
NAME: YGM3.SCH	PCB#:	TITLE: YGM3	

