

BILL OF MATERIAL REPORT

REPORT DATE/TIME: 9/22/2005 4:10:31 PM

BOARD NAME: Valve King 212 / Head ASSEMBLY LEVEL NUMBER: 99061440

PROJECT NUMBER: P0400020 DESIGNER: EC

Qty.	Part #	Description	Reference Designators
--			
2	30240019	820 1/4W 5% CF AXL	R10 R162
1	30240064	3.9M 1/4W 5% CF AXL	R173
1	30320104	0.01UF 125V-20% "X" RADH	C215
3	30320573	100UF 550V 20% EL SNPH	C202 C204 C220
1	30330128	0.22UF 50V 5% PE RAD	C6
1	30340000	1000PF 50V 10% NPO AXL	C149
4	33716927	.250 PC MNT R/A SPADE	P106-1 P106-2 P106-3
	P106-4		
1	70210000	1K 1W 5% MO AXL	R206
1	70210004	47K 1W 5% MO AXL	R203
1	70240003	10 1/4W 5% CF AXL	R170
1	70240008	47 1/4W 5% CF AXL	R142
1	70240010	100 1/4W 5% CF AXL	R171
1	70240015	470 1/4W 5% CF AXL	R134
4	70240017	1K 1/4W 5% CF AXL	R128 R137 R166 R174
9	70240018	1500 1/4W 5% CF AXL	R7 R8 R116 R118 R120 R147 R159 R160 R161
1	70240020	2200 1/4W 5% CF AXL	R123
1	70240026	56K 1/4W 5% CF AXL	R4
4	70240029	22K 1/4W 5% CF AXL	R110 R129 R168 R169

1	70240030	33K	1/4W	5%	CF	AXL	R9
3	70240031	47K	1/4W	5%	CF	AXL	R119 R124 R143
1	70240032	68K	1/4W	5%	CF	AXL	R133
1	70240033	82K	1/4W	5%	CF	AXL	R3
6	70240034	100K	1/4W	5%	CF	AXL	R113 R139 R140 R141 R144 R163
1	70240035	150K	1/4W	5%	CF	AXL	R150
7	70240036	220K	1/4W	5%	CF	AXL	R105 R108 R121 R122 R145 R149 R154
4	70240037	330K	1/4W	5%	CF	AXL	R131 R146 R151 R156
3	70240038	470K	1/4W	5%	CF	AXL	R106 R112 R114
7	70240039	1M	1/4W	5%	CF	AXL	R100 R111 R115 R130 R155 R157 R167
4	70240040	2.2M	1/4W	5%	CF	AXL	R117 R125 R138 R172
1	70240048	39K	1/4W	5%	CF	AXL	R205
1	70240057	12K	1/4W	5%	CF	AXL	R211
2	70240064	3.9M	1/4W	5%	CF	AXL	R175 R176
1	70240065	680K	1/4W	5%	CF	AXL	R107
2	70240090	47	1/4W	5%	FP	AXL	R126 R127
1	70240151	100K	1/4W	1%	MF	AXL	R102
3	70241035	150K	1/4W	1%	MF	AXL	R101 R103 R104
1	70250019	400	10W	10%	FP	AXLH	R201
4	70250074	330	RSS2W	5%	MO	AXL	R1 R2 R5 R6
1	70250086	10K	2W	5%	MO	AXL	R202
1	70320012	22UF	25V	20%	EL	AXL	C143
3	70320105	0.047UF	400V	10%	PES	AXL	C102 C132 C135
2	70320180	2.2UF	50V	20%	EL	RAD	C121 C129
3	70320181	22UF	50V	20%	EL	RAD	C112 C114 C124
6	70320186	1000UF	35V	20%	EL	RAD	C119 C210 C211 C212

					C213 C216
3	70320191	100UF	50V 10% EL	AXLH	C7 C8 C145
3	70320248	0.01UF	1000V 80-20%	Z5U RAD	C201 C209 C217
1	70320264	100UF	63V 20% EL	RAD	C208
1	70320281	1000PF	630V 10% PE	AXL	C104
1	70320283	0.022UF	400V 10% PE	AXL	C101
4	70320334	0.1UF	250V 10% PE	AXL	C1 C100 C136 C144
2	70320339	22UF	450V 20% EL	RADH	C205 C206
1	70320556	0.1UF	275V 10% "X"	RADH	C214
1	70330096	0.22UF	100V 5% PES	RADH	C148
1	70330113	0.1UF	100V 10% PPS	RAD	C108
1	70330129	0.1UF	50V 5% PE	RAD	C120
1	70330130	3300PF	50V 5% PE	RAD	C139
1	70330158	1UF	63V 5% PES	RAD	C125
2	70330159	0.47UF	63V 5% PES	RAD	C115 C128
1	70340000	1000PF	50V 10% NPO	AXL	C118
1	70340004	2200PF	50V 10% X7R	AXL	C103
2	70340011	0.01UF	50V 10% X7R	AXL	C9 C122
3	70340012	0.022UF	50V 10% X7R	AXL	C3 C4 C130
1	70340014	0.033UF	50V 10% X7R	AXL	C113
1	70340017	0.047UF	50V 10% X7R	AXL	C109
1	70340052	39PF	50V 5% NPO	AXL	C116
2	70340054	100PF	50V 10% NPO	AXL	C126 C140
3	70340057	270PF	50V 10% NPO	AXL	C2 C107 C110
3	70340058	470PF	50V 10% NPO	AXL	C106 C117 C127
3	70340101	0.1UF	50V 10% X7R	AXL	C111 C131 C147
2	70400757	1N757A	9.1V 5%	ZENER	D106 D107
2	70402873	SR2873	2KV, 250MA	DIODE	D108 D109

1	70414560	4560 DUAL OPAMP DIP8	U101
1	70450068	RED T1 3/4 LED S-BRT BULK	D204
1	70460097	MAC97-6 TRIAC TO-92 T&A	TR105
2	70460174	J174 JFET P 30V TO92 RAD	Q101 Q103
1	70463919	SKA3919 NPN TO92 RAD	Q102
5	70464003	1N4003 200V 1A SI DIODE	D203 D206 D207 D208 D209
4	70464007	1N4007 1KV, 1A, SI DIODE	D201 D202 D210 D211
9	70464148	1N4148 75V 10MA DIODE	D101 D102 D103 D104 D110 D115 D116 D117 D118
2	70600055	4C .100 STRP STRP 8" JMP	P302 P312
2	70600518	9C .200 STRP STRP 6" JMP	P301 P311
2	70600521	4C 2.5MM WPCB WPCB 4"	P303 P313
2	70806614	TUBE SKT 9PIN SNAP-IN	V1 V2
1	70806619	TUBE SKT 9PIN PHENOLIC	V3
4	70806627	TUBE SKT OCTAL 6L6GC	V4 V5 V6 V7
1	70901182	FUSE, 3A 250V 2AG T&R	F203
1	70901244	1A FUSE 5X15MM PIG TAIL T&R	F202
1	70901428	PWR INLET, RA SCREW MT PC RA GND	J212
1	70901429	EXT. FUSEHOLDER, PC MT	F204
1	70901446	FUSE, 1.5A--2AG--S/B--T&R	F201
1	70901785	SCREW TERM, 6-32 -PCB MT	P5
2	70901859	STND .500 T4-40,SW,AL,ST	HW15 HW16
9	70901890	STND .375 T4-40SW,AL,ST	HW1 HW2 HW3 HW4 HW5 HW6 HW7 HW8 HW9
1	71190900	10KB SNGL 12MM HOR	VR10
1	71190902	10K15C SNGL 12MM HOR	VR12
2	71190903	20KB SNGL 12MM HOR	VR3 VR7

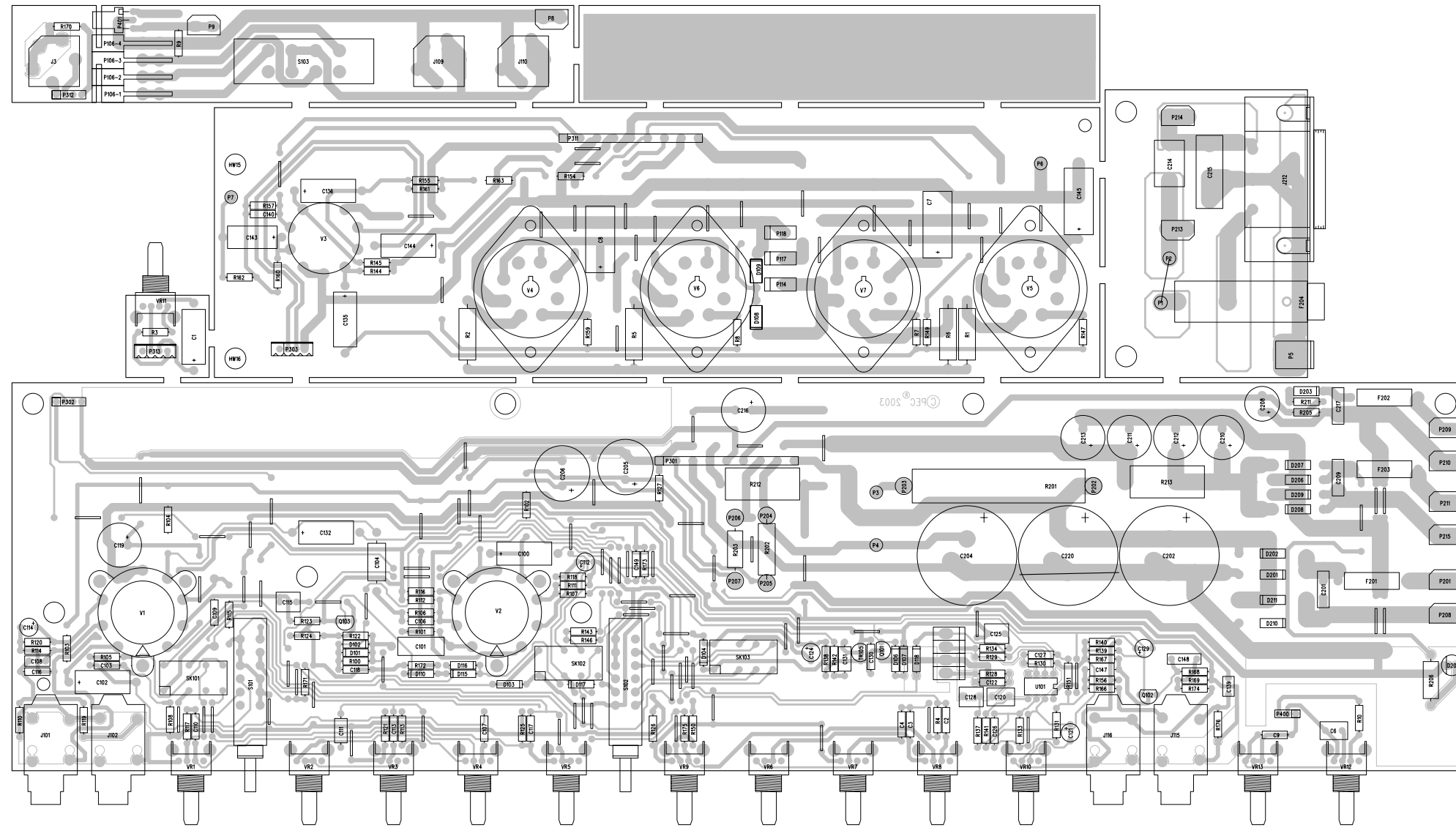
2	71190908	250KB	SNGL	12MM	HOR	VR4 VR8
4	71190910	1M5A	SNGL	12MM	HOR	VR2 VR5 VR6 VR13
2	71190911	1M15A	SNGL	12MM	HOR	VR1 VR9
1	71191012	1MB	SNGL	12MM	HOR	VR11
2	71322256	SWITCH	2XDPDT	PP	3.3 PC H	S101 S102
2	71322277	RELAY	12V	DPDT	.5A	SK102 SK103
1	71322328	SWITCH	2P3T	SLIDE	PC V	S103
1	71322378	RELAY	12V	DPDT	LOW MIC	SK101
3	71466217	STEREO	HID	JACK	NINS W/SPD	J3 J109 J110
4	71466322	JACK,	MONO	R/A	1/4" 6.5MM NINS	J101 J102 J115 J116
1	71600264	1	5W	5%	WW AXLH SL	R213
1	71600267	400	5W	10%	WW AXLH SL	R212
6	73711812	PIN-M	.093	MOLEX	PC-MNT	P202 P203 P204 P205 P206 P207
6	73713813	WR-TO-BD	CRIMP	TERM	18GA	P1 P2 P3 P4 P6 P7
10	73716194	SPADE	.250	PC	MNT .093	P8 P9 P201 P208 P209 P210 P211 P213 P214 P215
7	73717003	1	STAKE	PIN	.045 .625 TIN	P104 P105 P107 P108 P114 P117 P118
1	73717052	3	HDR	V	SR .100" TIN	P400
1	73719080	3	HDR	H	SR .100" TIN LK	P401
92	JUMPER	??				JMP1 JMP2 JMP3 JMP4 JMP5 JMP6 JMP7 JMP8 JMP9 JMP10 JMP11 JMP12 JMP13 JMP14 JMP15 JMP16 JMP17 JMP18 JMP19 JMP20 JMP21 JMP22 JMP23 JMP24 JMP25 JMP26 JMP27 JMP28 JMP29 JMP30 JMP31 JMP32 JMP33 JMP34 JMP35 JMP36 JMP37 JMP38 JMP39 JMP40 JMP41 JMP42 JMP43 JMP44 JMP45 JMP46 JMP47 JMP48 JMP49 JMP50 JMP51 JMP52 JMP53 JMP54 JMP55 JMP56

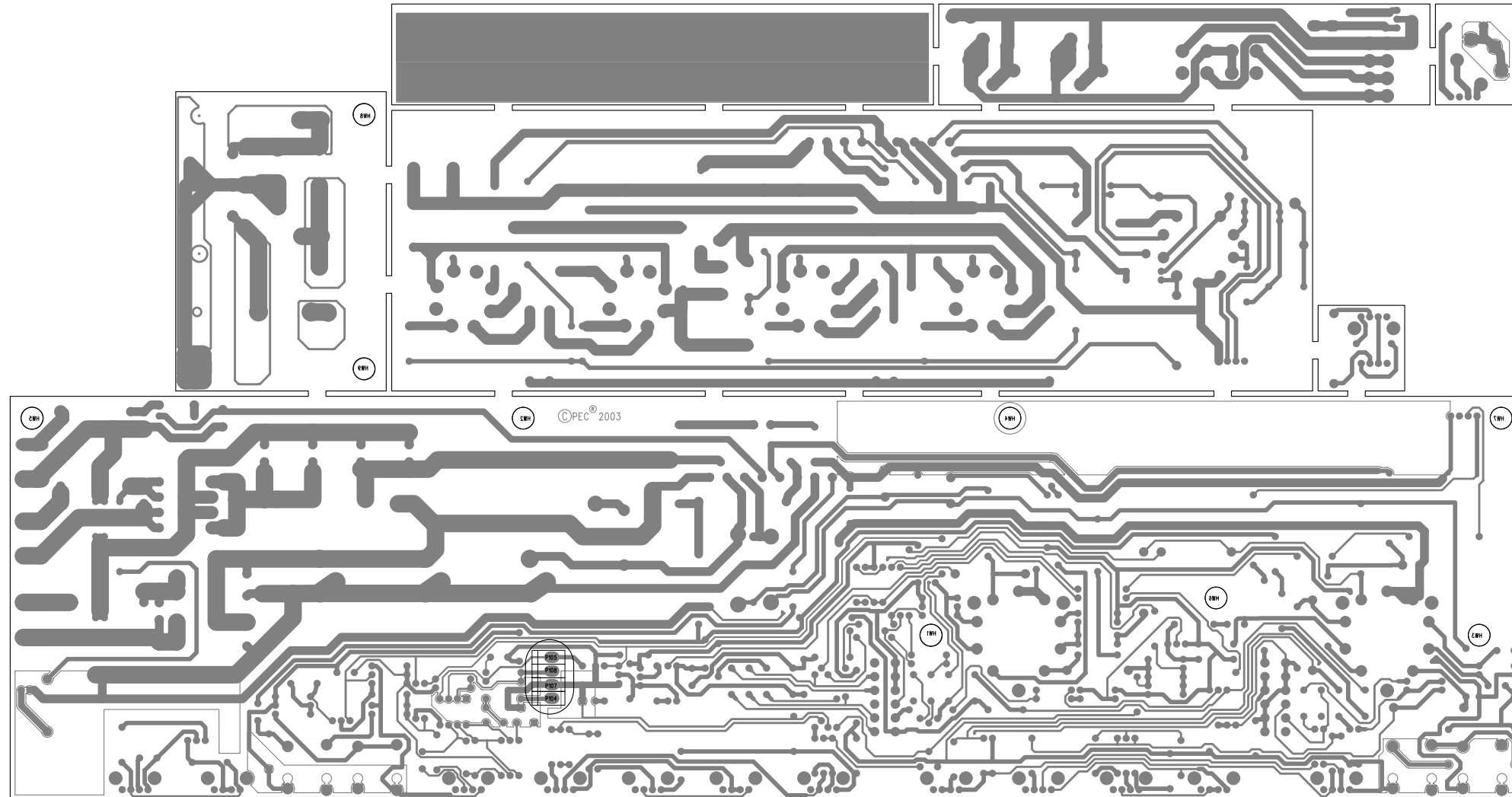
JMP57 JMP58 JMP59 JMP60
JMP61 JMP62 JMP63 JMP64
JMP65 JMP67 JMP69 JMP71
JMP72 JMP76 JMP77 JMP78
JMP79 JMP82 JMP84 JMP86
JMP87 JMP88 JMP89 JMP90
JMP92 JMP93 JMP94 JMP95
JMP96 JMP97 JMP98 JMP99
JMP100 JMP101 JMP107

JMP108

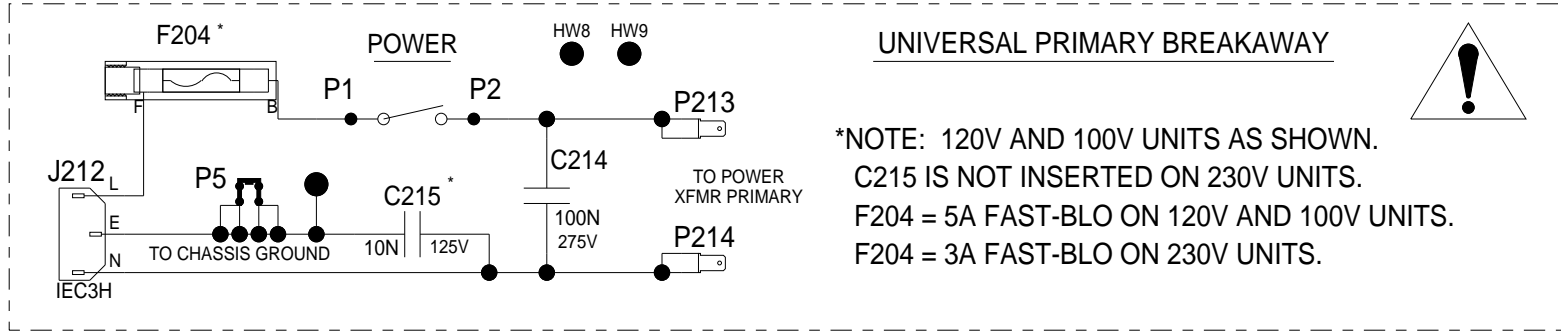
1 PCB_PAD100 PCB PAD .100" OD .053" ID HW10

END OF BILL OF MATERIAL REPORT



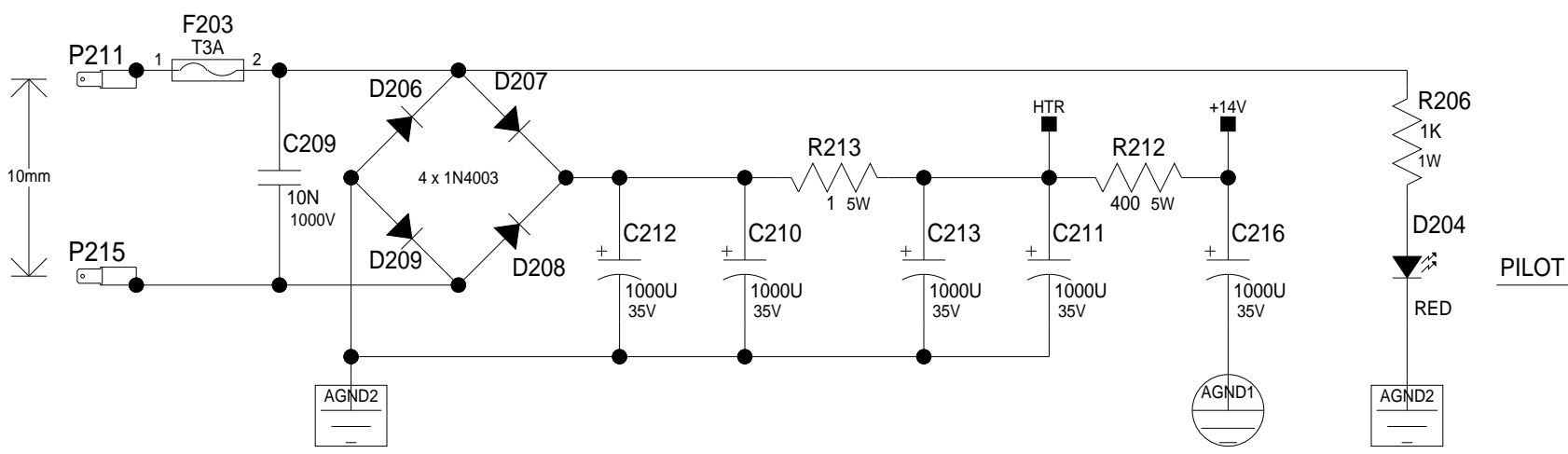
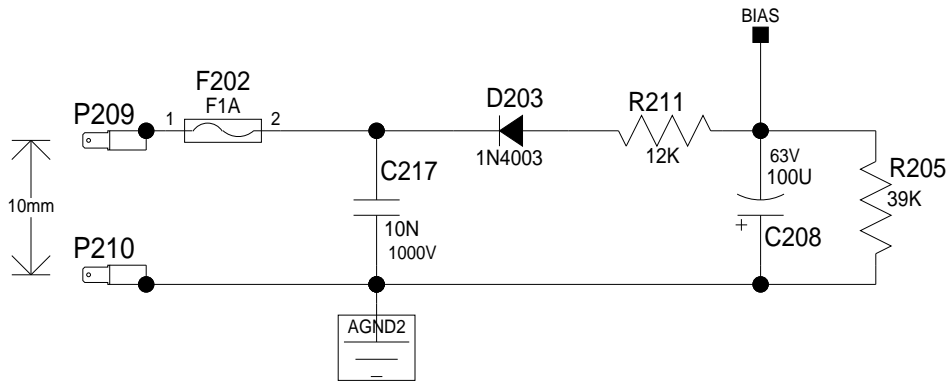
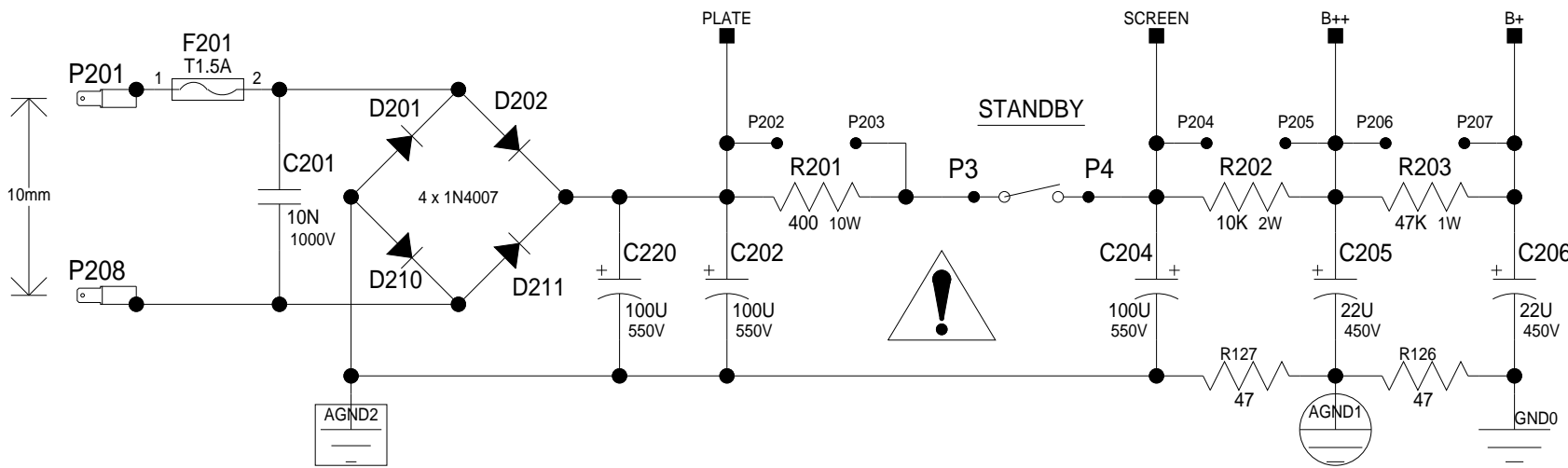


REV	Eng	Date:	Revision Description	ECN#
A				
B				
C				
D				
E				
F				



INDEX

SHEET	DESCRIPTION
1	COVER / POWER SUPPLY
2	PREAMP
3	POWER AMP
4	REVERB



Note: All thru hole Resistors are 1/4 Watt unless otherwise indicated.
All SMT 1206 Resistors are 1/4 Watt.
All SMT 0805 Resistors are 1/10 Watt.
Note Capacitor Values are indicated as Follows:
val P = pF (picoFarads) val * 10 exp-12
val N = nF (nanoFarads) val * 10 exp-9 (1N=1000pF, 100N=0.1uF)
val U = uF (microFarads) val * 10 exp-6

Patents: 5,197,102 (US) AND OTHER PATENTS PENDING.

Copyright Peavey Electronics Corporation 2005.

Company Proprietary Information

Peavey Electronics Corp.
P. O. Box 2898
Meridian, MS 39301

Product: VALVE KING 100 (212 & HEAD)

Title: COVER / POWER SUPPLY

Project Number: P0400019

Eng: J. C. FIELDS Release Date:

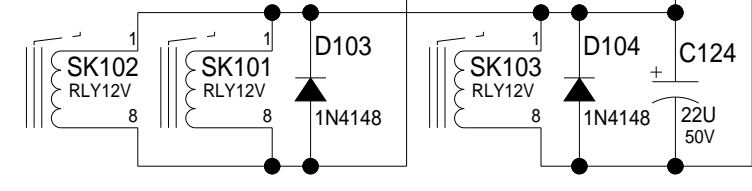
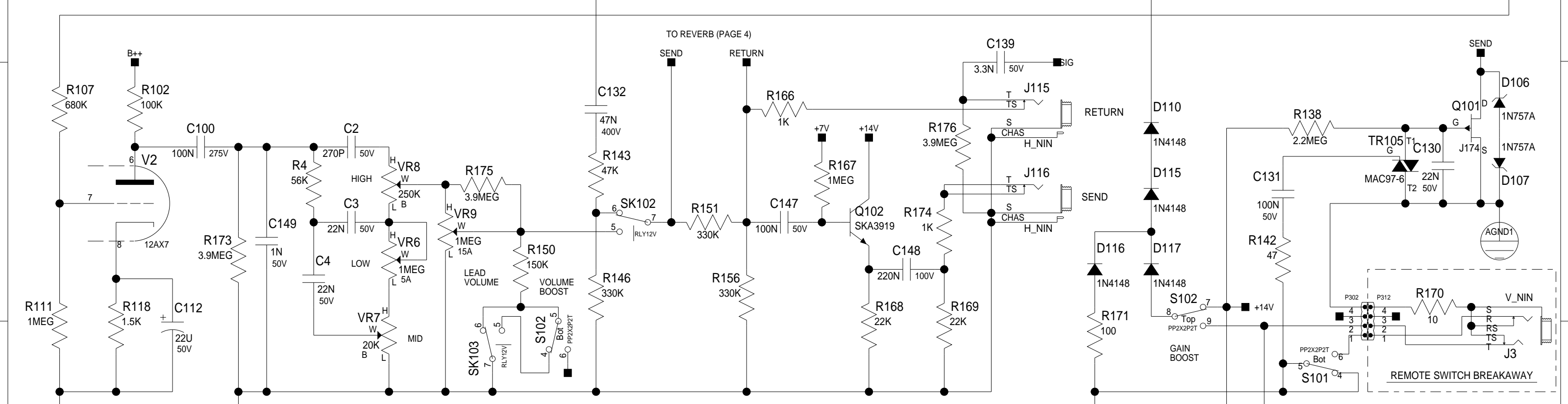
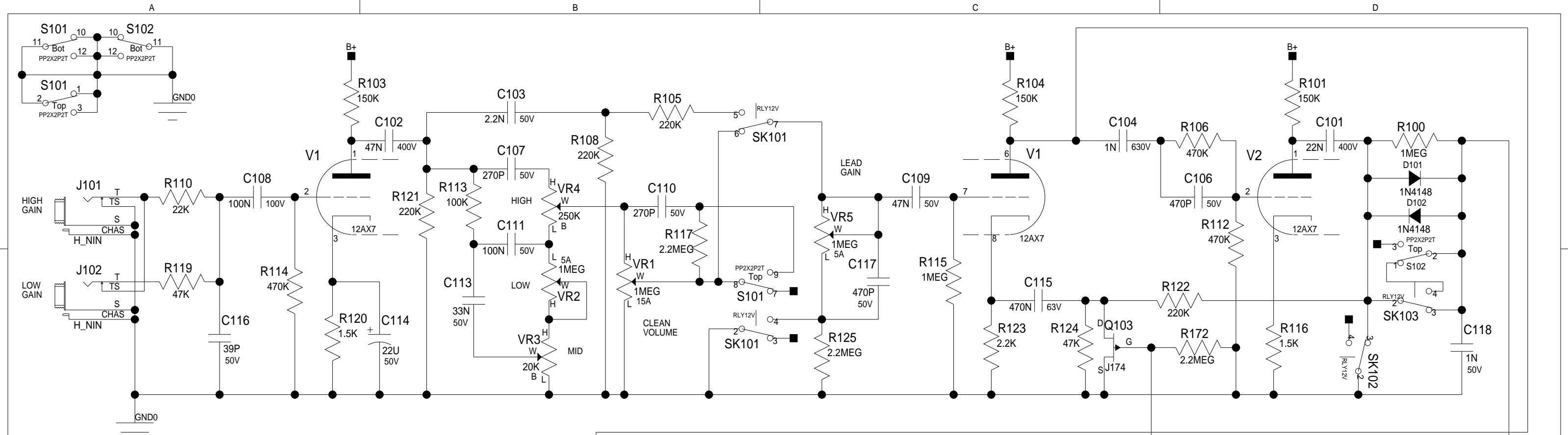
B Sheet 1 of 4 Saved: 6-23-2005_10:50

1

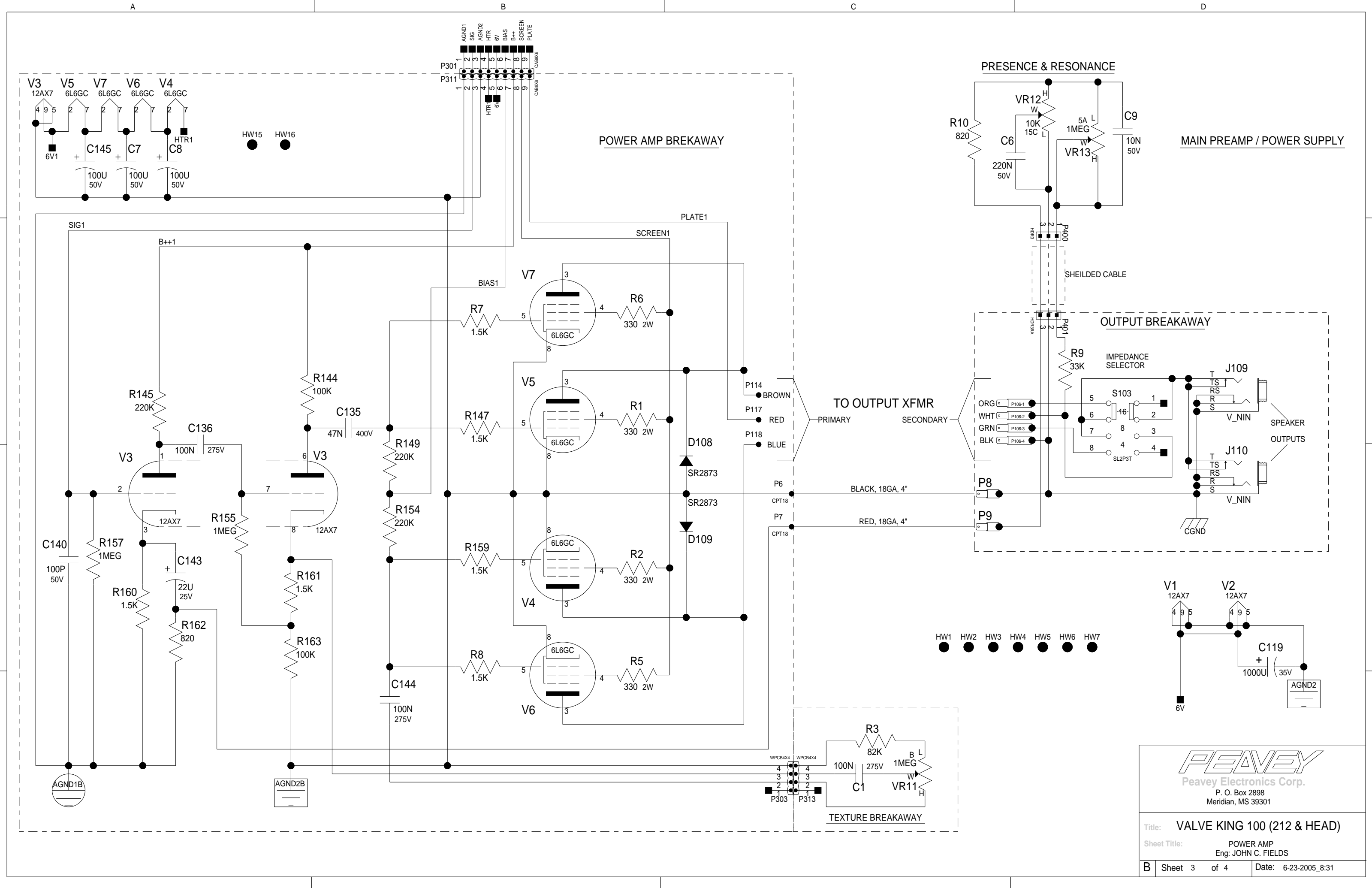
2

3

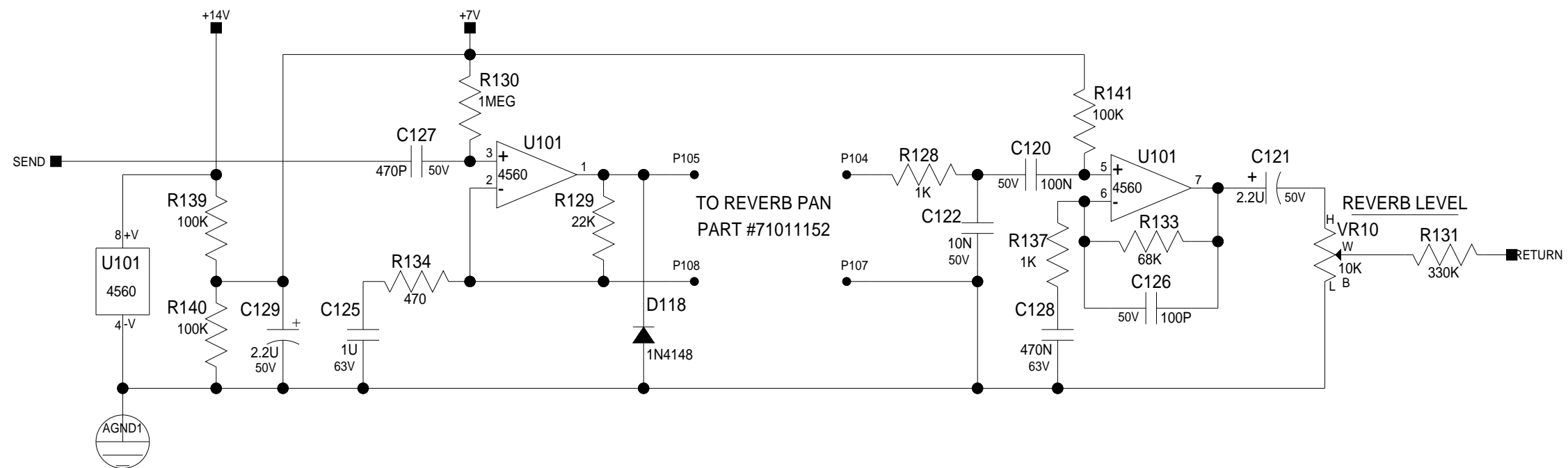
4



Title: VALVE KING 100 (212 & HEAD)
 Sheet Title: PREAMP
 Eng: JOHN C. FIELDS
 B Sheet 2 of 4 Date: 9-10-2005_10:41



Title: VALVE KING 100 (212 & HEAD)
 Sheet Title: POWER AMP
 Eng: JOHN C. FIELDS
 B Sheet 3 of 4 Date: 6-23-2005_8:31



PEAVEY

Peavey Electronics Corp.
P. O. Box 2898
Meridian, MS 39301

Title: VALVE KING 100 (212 & HEAD)

Sheet Title: REVERB
Eng: JOHN C. FIELDS

B Sheet 4 of 4

Date: 6-20-2005_17:52