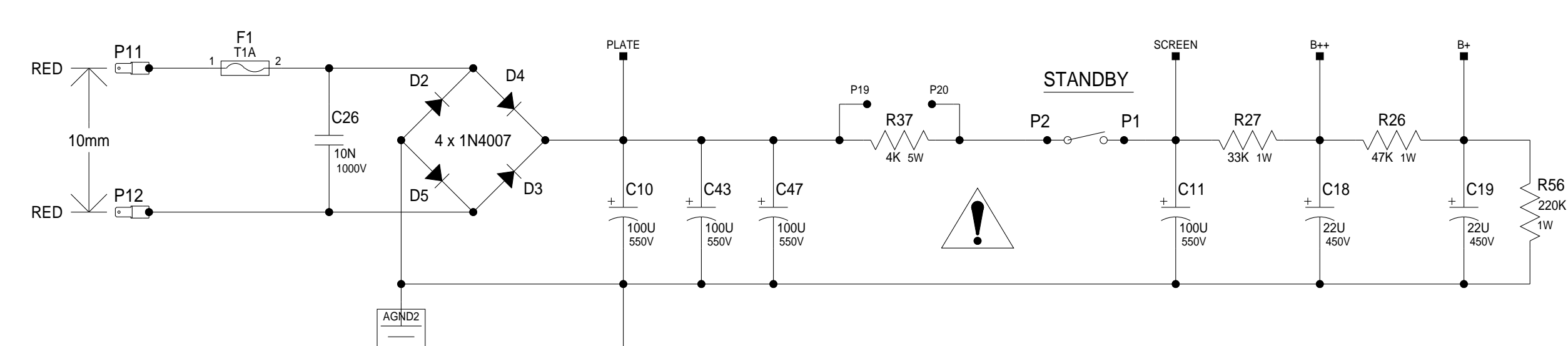
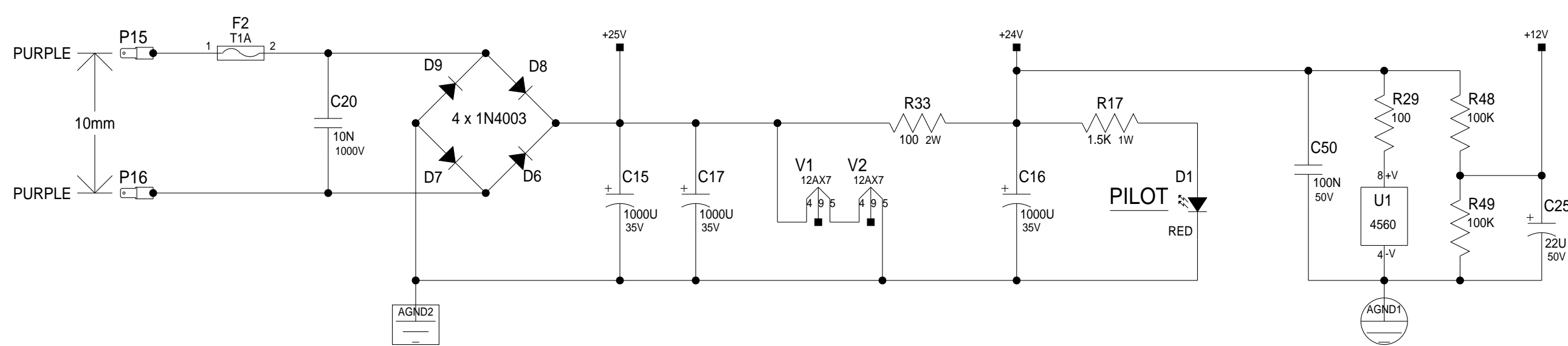
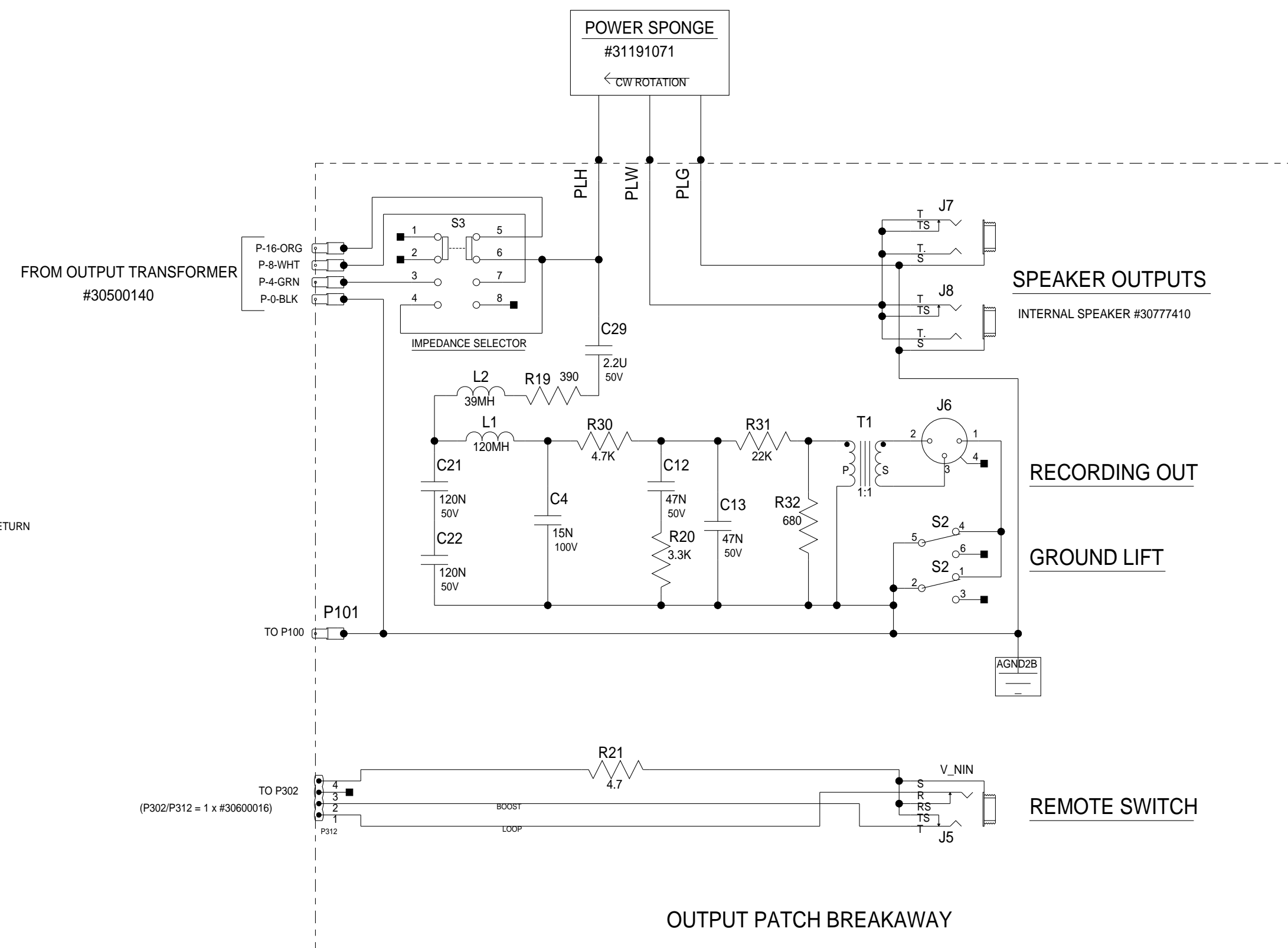
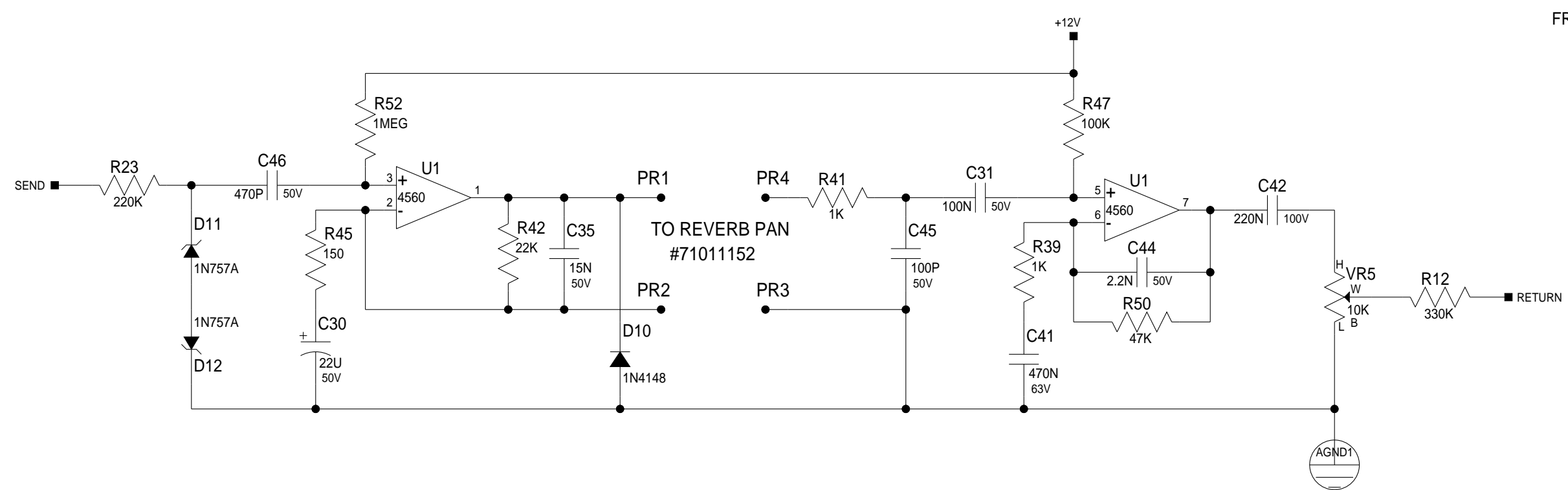


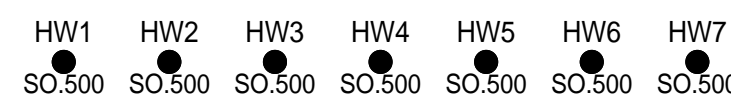
REV	Eng	Date:	Revision Description	ECN#
A				
B				
C				
D				
E				
F				

INDEX

SHEET	DESCRIPTION
1	POWER SUPPLY / REVERB
2	PREAMP / POWER AMP



POWER TRANSFORMERS
 #30548702 (120V/60Hz)
 #30549302 (230V/50-60Hz)
 #30549002 (100V/50-60Hz)



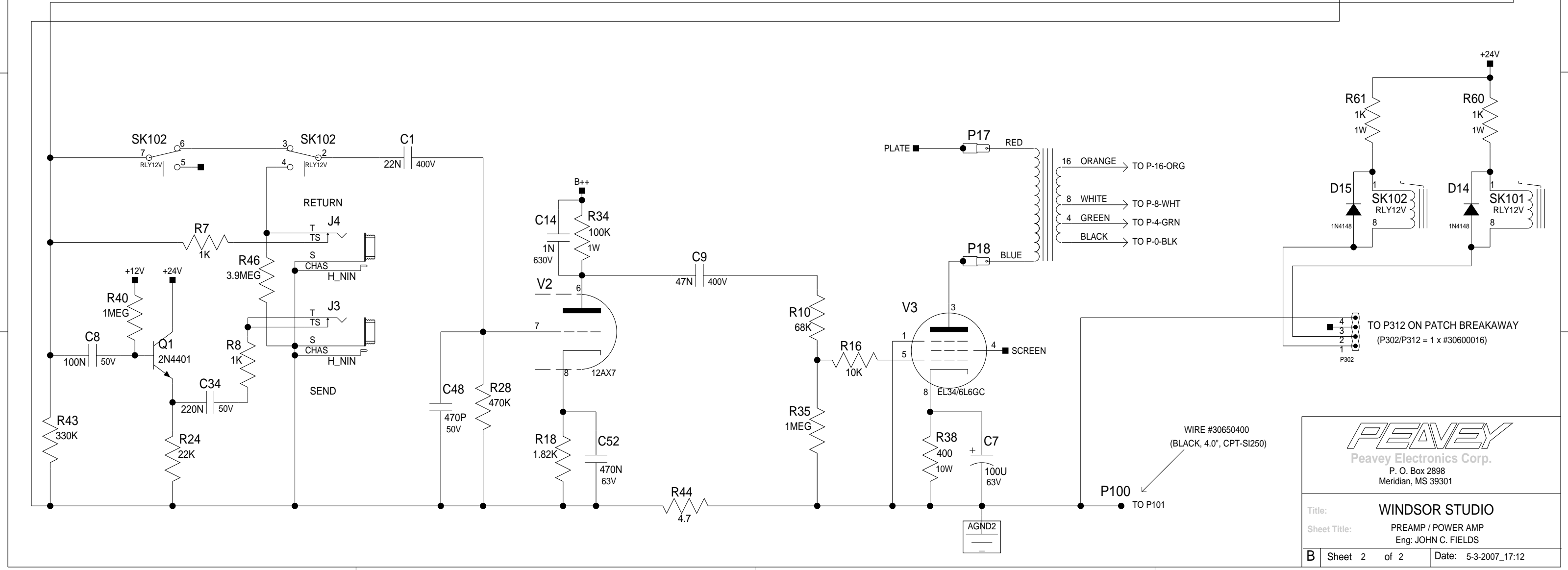
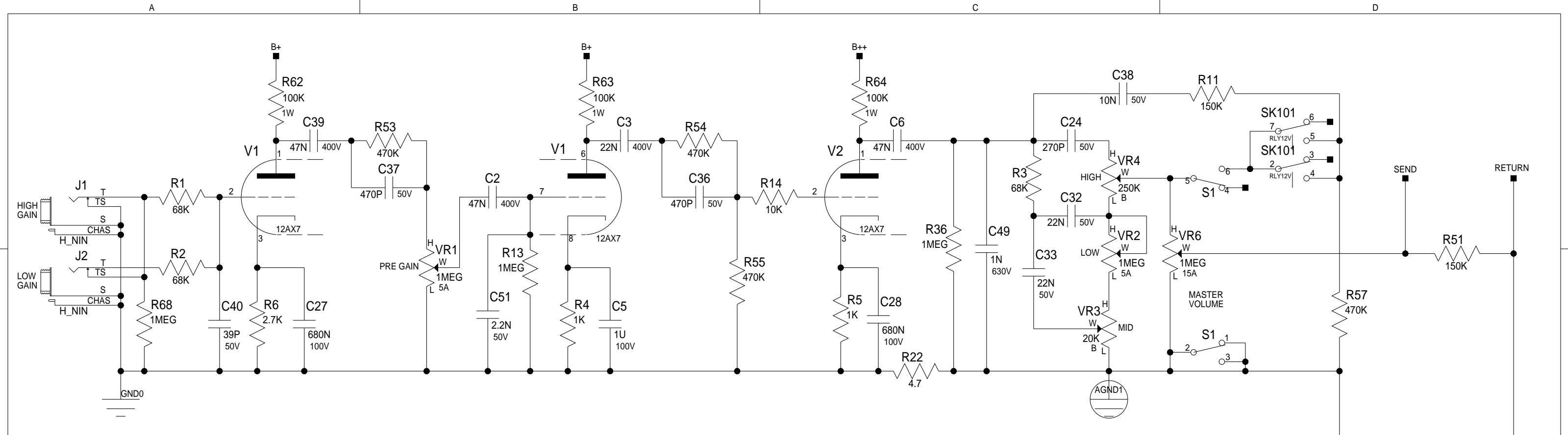
Note: All thru hole Resistors are 1/4 Watt unless otherwise indicated.
 All SMT 1206 Resistors are 1/4 Watt.
 All SMT 0805 Resistors are 1/10 Watt.
 Note Capacitor Values are indicated as Follows:
 val P = pF (picoFarads) val * 10 exp-12
 val N = nF (nanoFarads) val * 10 exp-9 (1N=1000pF, 100N=0.1uF)
 val U = uF (microFarads) val * 10 exp-6

Company Proprietary Information



Patents:

Copyright Peavey Electronics Corporation 2005.



PEAVEY
Peavey Electronics Corp.
P. O. Box 2898
Meridian, MS 39301

Title: WINDSOR STUDIO
Sheet Title: PREAMP / POWER AMP
Eng: JOHN C. FIELDS

B Sheet 2 of 2 Date: 5-3-2007_17:12

WIRE #30650400
(BLACK, 4.0", CPT-SI250)

- 16 ORANGE → TO P-16-ORG
- 8 WHITE → TO P-8-WHT
- 4 GREEN → TO P-4-GRN
- BLACK → TO P-0-BLK

TO P312 ON PATCH BREAKAWAY
(P302/P312 = 1 x #30600016)

P100 TO P101