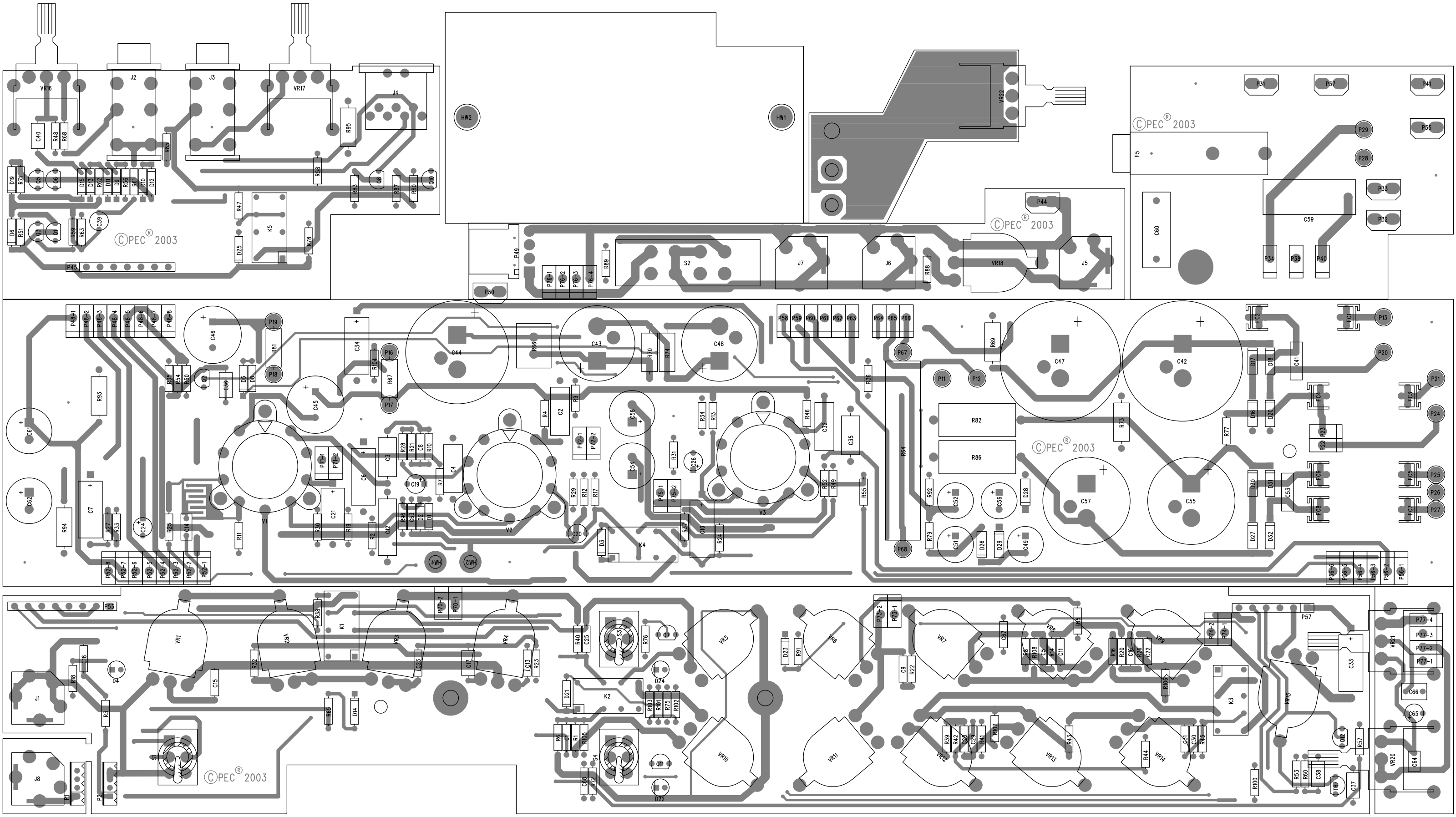


SATRIANI
 Title: CBR7210181, ASSM99061430
 Sheet Title: ENG. JAMES BROWN / JOHN C. FIELDS
 Date: 8-31-2004, 11:47

BUILT UNDER US PATENT NOS. 4,890,331 and 5,197,102.
 Copyright Peavey Electronics Corporation 2004

TRANSFORMERS
 70518719-Domestic 120V
 70519019-Japan 100V
 70518705-Export 220-230/240V



BILL OF MATERIAL REPORT

REPORT DATE/TIME: 8/31/2004 8:49:27 AM

BOARD NAME: SATRIANI PREAMP ASSEMBLY LEVEL NUMBER: 99061430

PROJECT NUMBER: P0300120 DESIGNER: ELC

Qty.	Part #	Description	Reference Designators
--			
1	70210000	1K 1W 5% MO AXL	R95
2	70210005	22K 1W 5% MO AXL	R67 R81
4	70210008	220K 1W 5% MO AXL	R69 R70 R73 R74
2	70210011	47 1W 5% MO AXL	R93 R94
1	70240008	47 1/4W 5% CF AXL	R57
1	70240010	100 1/4W 5% CF AXL	R56
6	70240013	270 1/4W 5% CF AXL	R38 R65 R72 R80 R91 R101
2	70240015	470 1/4W 5% CF AXL	R48 R61
1	70240017	1K 1/4W 5% CF AXL	R60
6	70240018	1500 1/4W 5% CF AXL	R28 R29 R30 R33 R34 R55
1	70240019	820 1/4W 5% CF AXL	R100
3	70240023	4700 1/4W 5% CF AXL	R76 R77 R103
9	70240025	10K 1/4W 5% CF AXL	R15 R16 R32 R41 R43 R47 R78 R83 R87
1	70240026	56K 1/4W 5% CF AXL	R6
1	70240027	15K 1/4W 5% CF AXL	R75
5	70240029	22K 1/4W 5% CF AXL	R3 R18 R22 R85 R88
2	70240031	47K 1/4W 5% CF AXL	R9 R54
2	70240032	68K 1/4W 5% CF AXL	R58 R89

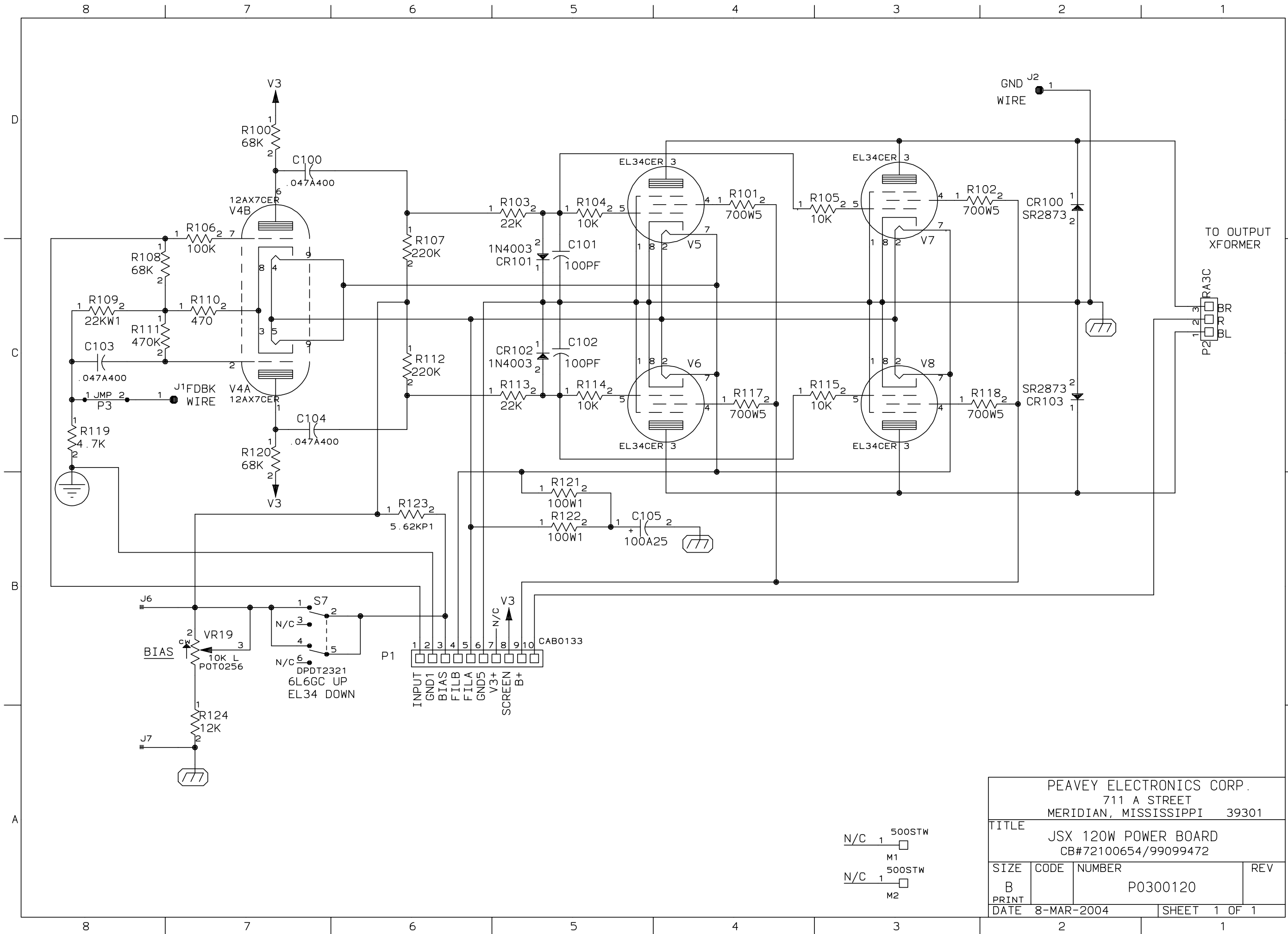
8	70240034	100K	1/4W	5%	CF	AXL	R8 R23 R39 R49 R50 R62 R68 R108
2	70240035	150K	1/4W	5%	CF	AXL	R14 R42
6	70240036	220K	1/4W	5%	CF	AXL	R1 R20 R27 R51 R71 R104
5	70240038	470K	1/4W	5%	CF	AXL	R10 R21 R25 R52 R96
6	70240039	1M	1/4W	5%	CF	AXL	R17 R19 R24 R31 R53 R92
2	70240040	2.2M	1/4W	5%	CF	AXL	R40 R105
1	70240065	680K	1/4W	5%	CF	AXL	R12
4	70240090	47	1/4W	5%	FP	AXL	R35 R36 R59 R63
4	70240151	100K	1/4W	1%	MF	AXL	R2 R4 R13 R46
1	70241008	5.62K	1/4W	1%	MF	AXL	R79
2	70241035	150K	1/4W	1%	MF	AXL	R7 R11
1	70241093	3.9K	1/4W	5%	CF	AXL	R102
6	70241094	240K	1/4W	5%	CF	AXL	R26 R37 R44 R45 R106 R107
1	70250019	400	10W	10%	FP	AXLH	R64
1	70250181	4K	5W	10%	WW	AXLH	R66
1	70320104	0.01UF	125V-20%	"X"		RADH	C60
4	70320105	0.047UF	400V 10%	PES		AXL	C6 C7 C10 C33
5	70320181	22UF	50V 20%	EL		RAD	C19 C20 C24 C26 C65
1	70320184	2.2UF	50V 20%	ELN		RAD	C39
4	70320186	1000UF	35V 20%	EL		RAD	C54 C58 C61 C62
2	70320248	0.01UF	1000V 80-20%	Z5U		RAD	C41 C53
4	70320264	100UF	63V 20%	EL		RAD	C49 C51 C52 C56
1	70320281	1000PF	630V 10%	PE		AXL	C3

2	70320282	0.01UF	400V	10%	PE	AXL	C12 C35
3	70320283	0.022UF	400V	10%	PE	AXL	C2 C4 C32
1	70320298	0.1UF	275V	20%	"X"	RADH	C59
1	70320334	0.1UF	250V	10%	PE	AXL	C34
2	70320339	22UF	450V	20%	EL	RADH	C45 C46
1	70320410	100UF	500V	20%	EL	SNPHT3	C44
2	70320443	4700UF	35V	20%	EL	SNPHT3	C55 C57
2	70320511	680UF	350V	20%	EL	SNPHT3	C42 C47
2	70320512	220UF	350V	20%	EL	SNPHT3	C43 C48
1	70330113	0.1UF	100V	10%	PPS	RAD	C14
1	70330127	1800PF	50V	5%	PE	RAD	C64
1	70330133	0.12UF	50V	5%	PE	RAD	C66
4	70340000	1000PF	50V	10%	NPO	AXL	C11 C29 C63 C67
4	70340004	2200PF	50V	10%	X7R	AXL	C1 C5 C28 C68
2	70340012	0.022UF	50V	10%	X7R	AXL	C9 C23
1	70340018	0.068UF	50V	10%	X7R	AXL	C36
1	70340052	39PF	50V	5%	NPO	AXL	C18
5	70340054	100PF	50V	10%	NPO	AXL	C15 C16 C22 C30 C31
2	70340057	270PF	50V	10%	NPO	AXL	C13 C25
1	70340058	470PF	50V	10%	NPO	AXL	C8
1	70340063	0.47UF	50V	20%	ELL	AXL	C21
4	70340101	0.1UF	50V	10%	X7R	AXL	C17 C37 C38 C40
2	70400757	1N757A	9.1V	5%	ZENER		D5 D8
2	70400933	2SA933ASLN	PNP	LN	RAD		Q5 Q6
2	70401740	2SC1740SLN	NPN	LN	RAD		Q1 Q3
1	70450034	RED LED	T1	BULK			D22

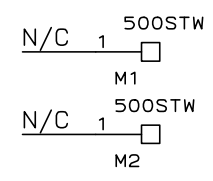
1	70450035	GRN LED T-1 BULK	D4
1	70450036	YEL LED T1 BULK	D24
1	70460097	MAC97-6 TRIAC TO-92 T&A	TR7
2	70460174	J174 JFET P 30V TO92 RAD	Q2 Q12
7	70464003	1N4003 200V 1A SI DIODE	D26 D27 D28 D29 D30 D31 D32
4	70464007	1N4007 1KV, 1A, SI DIODE	D16 D17 D18 D20
15	70464148	1N4148 75V 10MA DIODE	D1 D2 D3 D6 D9 D10 D11 D12 D13 D14 D15 D19 D21 D23 D25
4	70466531	MPS-6531 40V TO92 NPN RAD	Q7 Q8 Q10 Q11
2	70600018	8C .156 STRP SRCON 5"	P45 P53
1	70600134	6C .156 STRP SRCON 5"	P57
2	70600521	4C 2.5MM WPCB WPCB 4"	P1 P2
3	70806614	TUBE SKT 9PIN SNAP-IN	V1 V2 V3
2	70900788	STND .125 T4-40,SW,AL,ST	HW4 HW5
2	70900935	STND .187 T4-40,SW,NB,ST	HW1 HW2
8	70901183	FUSECLIP, PC MT RAD	FC1 FC2 FC3 FC4 FC5 FC6 FC7 FC8
1	70901429	EXT. FUSEHOLDER, PC MT	F5
1	71190303	1M20A SNGL 16MM SPD	VR1
1	71190311	1M5A SNGL 16MM SPD	VR10
7	71190334	250KB SNGL 16MM SPD	VR7 VR8 VR9 VR12 VR13 VR14 VR15
2	71190336	10KB SNGL 16MM SPD	VR3 VR18
2	71190338	100K20A SNGL 16MM SPD	VR6 VR11
2	71190339	250K20A SNGL 16MM SPD	VR2 VR4
1	71190362	50K20A SNGL 16MM SPD	VR5
2	71190517	100KBB SNGL 16MM HOR	VR16 VR17

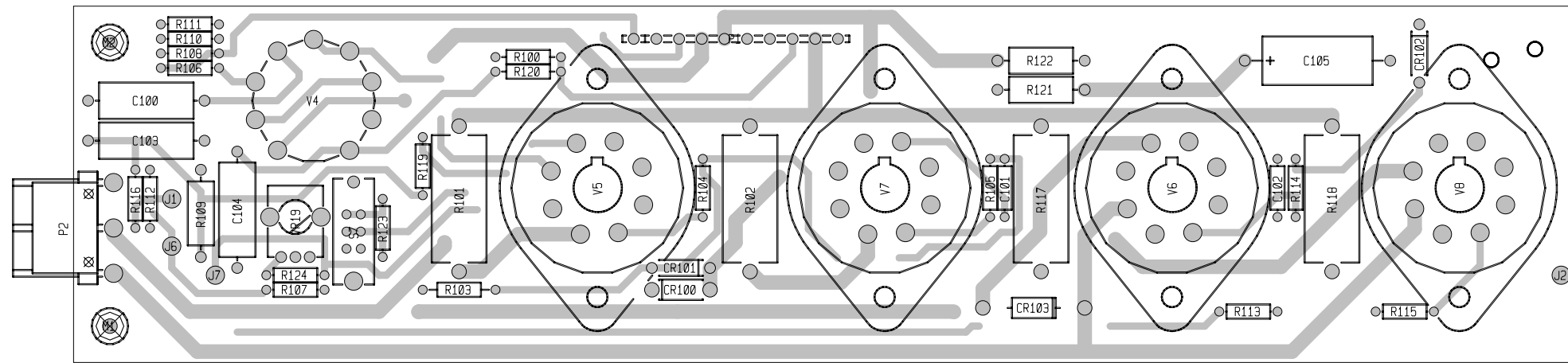
2	71190522	1M5A	SNGL 16MM	HOR	VR20 VR22
1	71190523	10K20C	SNGL 16MM	HOR	VR21
3	71322277	RELAY 12V DPDT	.5A		K3 K4 K5
1	71322328	SWITCH 2P3T SLIDE	PC V		S2
2	71322378	RELAY 12V DPDT	LOW MIC		K1 K2
1	71322475	SWITCH 2P3TSP	TOGGLE PC VT		S1
2	71322476	SWITCH 2P2T	TOGGLE PC VT		S3 S4
2	71466165	JK RA 12.5MM	NIN STEO-88		J2 J3
3	71466214	2 TIP HID JACK	NINS W/SPD		J5 J6 J7
2	71466217	STEREO HID JACK	NINS W/SPD		J1 J8
1	71466226	CONN 7P RA	PCMNT DIN W/ 4 MNT. HOLES		J4
2	71600254	50	5W 10% WW	AXLH LS	R82 R86
3	73711811	PIN-F .093	MOLEX PC-MNT		P24 P25 P27
14	73711812	PIN-M .093	MOLEX PC-MNT		P11 P12 P13 P16 P17 P18 P19 P20 P21 P26 P28 P29 P67 P68
8	73716194	SPADE .250	PC MNT .093		P30 P31 P32 P33 P35 P37 P41 P44
56	73717003	1 STAKE PIN .045	.625 TIN		P22 P23 P34 P38 P40 P48-1 P48-2 P48-3 P48-4 P48-5 P48-6 P48-7 P48-8 P52-1 P52-2 P52-3 P52-4 P52-5 P52-6 P52-7 P52-8 P56-1 P56-2 P56-3 P56-4 P56-5 P56-6 P58 P59 P60 P61 P62 P63 P64 P65 P66 P70-1 P70-2 P71-1 P71-2 P72-1 P72-2 P73-1 P73-2 P74-1 P74-2 P75-1 P75-2 P76-1 P76-2 P76-3 P76-4 P77-1 P77-2 P77-3 P77-4
1	73719109	4 HDR H SR	.156" TIN LK		P49
5	PCB_PAD100	PCB PAD .100"	OD .053" ID		HW3 HW6 HW7 HW8 HW9

END OF BILL OF MATERIAL REPORT



PEAVEY ELECTRONICS CORP. 711 A STREET MERIDIAN, MISSISSIPPI 39301			
TITLE JSX 120W POWER BOARD CB#72100654/99099472			
SIZE B	CODE	NUMBER P0300120	REV
PRINT DATE 8-MAR-2004	SHEET 1 OF 1		





XXX POWER BOARD

ON 99099471 ASSEMBLY DO NOT PLACE R101. R118. V5. V8

B I L L O F M A T E R I A L S R E P O R T

BOARD NAME: XXXPWR REPORT DATE: 12MAR04
 ASSEMBLY LEVEL NUMBER: 99099472 DESIGNER: ELBERT COLEMAN
 PROJECT NUMBER: P0300120
 CBDS

PART	DESCRIPTION AND
** QTY. NAME VALUE PART NUMBER DEVICE DESIGNATIONS *****	*****
1 72100654 72100654 72100654	PCB
3 .047A400 .047A400 70320105	.047MFD 450 VOLT T&R CAP C100, C103, C104
1 100A25 100A25 70320014	100 MFD 25VDC LYTIC CAP C105
1 100K 100K 70240034	100K--1/4W--5%----CF--T&R R106
2 100PF 100PF 70340054	100PF-----10%----50VDC----T/C----T&R C101, C102
2 100W1 100W1 70210003	100---1W----5%----MO--T&R R121, R122
4 10K 10K 70240025	10K---1/4W--5%----CF--T&R R104, R105, R114, R115
1 12AX7CER 12AX7CER 70806631	12AX7 VACUUM TUBE W/9 PIN PC MNT CER SOCKET V4
1 12K 12K 70240057	12K---1/4W--5%----CF--T&R R124
2 1N4003 1N4003 70464003	1N4003 200V SILICON DIODE CR101, CR102
2 220K 220K 70240036	220K--1/4W--5%----CF--T&R R107, R112
2 22K 22K 70240029	22K---1/4W--5%----CF--T&R

				R103, R113
1	22KW1	22KW1	70210005	22K---1W----5%----MO--T&R R109
1	4.7K	4.7K	70240023	4.7K--1/4W--5%----CF--T&R R119
1	470	470	70240015	470---1/4W--5%----CF--T&R R110
1	470K	470K	70240038	470K--1/4W--5%----CF--T&R R111
1	5.62KP1	5.62KP1	70241008	5.62K-1/4W--1%----MF--T&R R123
2	500STW	70901859	70901859	SPCR,R,TA-40X1/2,SW,AL,ST M1, M2
3	68K	68K	70240032	68K---1/4W--5%----CF--T&R R100, R108, R120
4	700W5	700W5	70250061	700--5W--10%--WW--AXL R101, R102, R117, R118
1	CAB0133	70600133	70600133	10C PRE-TIN .156 - 5" CONN. P1
1	DPDT2321	DPDT2321	71322321	SWITCH, DPDT PCMNT SLIDE S7
4	EL34CER	EL34CER	70806632	8 PIN CERAMIC TUBE SOCKET V5, V6, V7, V8
1	JMP	JMP	70600136	22 GA. JUMPER WIRE T&R P3
1	POT0256	71190256	71190256	10KB 9MM VPC S/K VR19
1	RA3C	RA3C	73719110	3 PIN R/A HEADER .312 W/FRICTION LOCK

P2

2 SR2873 SR2873 70402873 SR2873 2KV, 250MA SILICON DIODE
CR100, CR103

1 WJ8BK3SR WJ8BK3SR 91090520 BK--18G--3"CPT/250 RA SPD

J2

1 WJ8BK5SP WJ8BK5SP 91090506 BK-18G-5"-CPT-250SPD/RA

J1

1 WJ8BK6FM WJ8BK6FM 91103769 BLACK 6" 18GA CPT W/FEMALE CONTACT PIN

J6

1 WJ8RD6FM WJ8RD6FM 91103768 RED 6" 18GA CPT W/FEMALE CONTACT PIN

J7