

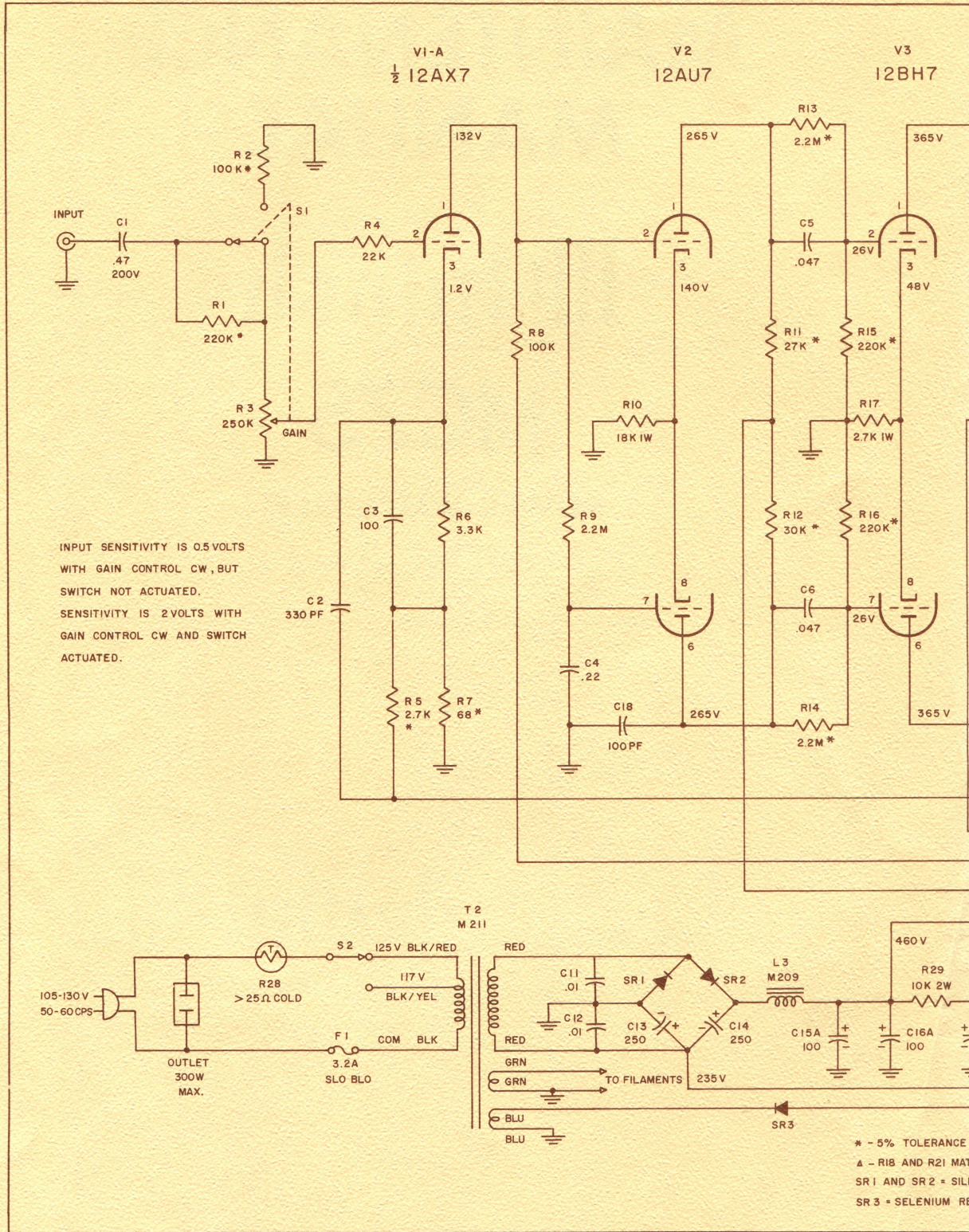
MAINTENANCE MANUAL

McIntosh

MC75

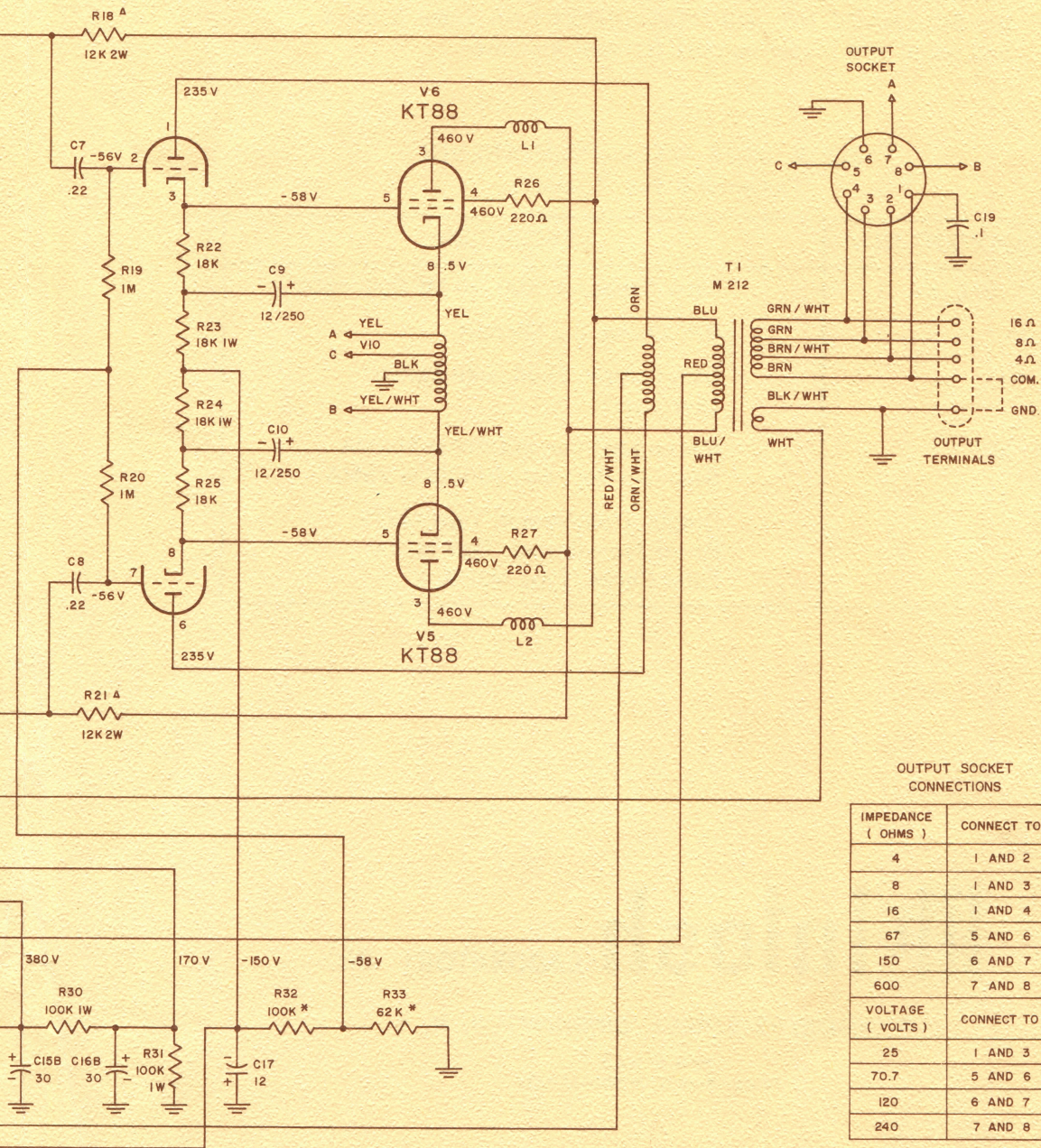
POWER AMPLIFIER

(Serial No's. 100B1 and above)



| REV | C N | REVISION | DATE | BY | CHKD | APPD |
|-----|-----|----------|------|----|------|------|
| A | | | | | | |
| B | | | | | | |
| C | | | | | | |

V4
12AZ7 or 12AT7



OUTPUT SOCKET CONNECTIONS

| IMPEDANCE (OHMS) | CONNECT TO |
|--------------------|------------|
| 4 | 1 AND 2 |
| 8 | 1 AND 3 |
| 16 | 1 AND 4 |
| 67 | 5 AND 6 |
| 150 | 6 AND 7 |
| 600 | 7 AND 8 |
| VOLTAGE (VOLTS) | CONNECT TO |
| 25 | 1 AND 3 |
| 70.7 | 5 AND 6 |
| 120 | 6 AND 7 |
| 240 | 7 AND 8 |

RESISTORS
MATCHED WITHIN 1%
SILICON RECTIFIERS, 600 PIV @ 500MA
RECTIFIER, 400 PIV @ 65 MA

ON DWG

| | | |
|--|-----------------|--------------------|
| MATERIAL | TITLE | PART NO. |
| FINISH | MCT5 SCHEMATIC | |
| TOLERANCES - Unless otherwise specified: ± 1/2" Angles, ± 1/4 Frontiers, ± .005 Decimals | SCALE | DATE 12-5-63 |
| | DRAWN BY A.D.C. | DATE 12-5-63 |
| | CHKD B.B. | APPD |
| | | DWG NO. SC122 D157 |
| | | REV |

Table 1. MC75 VOLTAGE AND RESISTANCE CHART
(Schematic No. 154049))

| Tube | Pin No. | DC Volts No. Signal | AC Volts at rated output | Resistance in Ohms Unit Off |
|-----------------------|---------------------|------------------------|-----------------------------|--------------------------------|
| 12AX7 (V1) | 1 | 132 | 2.1 | 150K* |
| | 2 | 0 | .47 | 22K |
| | 3 | 1.2 | .44 | 3.3K |
| | 4 & 5 | 0 | 0 | 0 |
| | 6 | 0 | 0 | 0 |
| | 7 | 0 | 0 | 0 |
| | 8 | 0 | 0 | 0 |
| | 9 | 0 | 6.3 | — |
| | 12AU7 (V2) | 1 | 265 | 12 |
| 2 | | 132 | 2.1 | 150K |
| 3 | | 140 | .96 | 18K |
| 4 & 5 | | 0 | 0 | 0 |
| 6 | | 265 | 12 | 38K* |
| 7 | | 105 | 0 | 2.4M* |
| 8 | | 140 | .96 | 18K |
| 9 | | 0 | 6.3 | 0 |
| 12BH7 (V3) | | 1 | 365 | 152 |
| | 2 | 26 | 12 | 200K |
| | 3 | 48 | .7 | 2.7K |
| | 4 & 5 | 0 | 0 | 0 |
| | 6 | 365 | 152 | 12K |
| | 7 | 26 | 12 | 200K |
| | 8 | 48 | .7 | 2.7K |
| | 9 | 0 | 6.3 | 0 |
| | 12AT7/12AZ7 (V4) | 1 | 235 | 112 |
| 2 | | -56 | 152 | 1M |
| 3 | | -58 | 149 | 220K |
| 4 & 5 | | 0 | 0 | 0 |
| 6 | | 235 | 112 | 30** |
| 7 | | -56 | 152 | 1M |
| 8 | | -58 | 149 | 220K |
| 9 | | 0 | 6.3 | 0 |
| KT88/6550 (V5, V6) | | 1 | — | — |
| | 2 | 0 | 0 or 6.3 | 0 |
| | 3 | 460 | 116 | 20* |
| | 4 | 460 | 112 | 240* |
| | 5 | -58 | 149 | 220K |
| | 6 | — | — | — |
| | 7 | 0 | 6.3 or 0 | 0 |
| | 8 | .5 | 116 | 14 |

*This resistance measured with condenser C15A shorted to ground.

**This resistance measured with condenser C13 shorted to ground.

High impedance VTVM is used to measure the operating voltages.

Special components used in the MC75 are listed below. These components are designed and built specifically for the MC75. They may be purchased directly from Customer Service, McIntosh Laboratory Inc. When you order parts be sure to give the SCHEMATIC NO. and DESCRIPTION from Table 2 below, and serial and model number for your amplifier.

TABLE 2. MC75 SPECIAL COMPONENTS
(Schematic No. 154049)

| COMPONENT NO. | DESCRIPTION |
|------------------|--------------------------------------|
| C15A, B; C16A, B | Filter Capacitor, 100/30 MF 500/450V |
| L1, L2 | R.F. Choke, 2.2 Micro H. |
| R3 (S1) | Gain Control, 250K, with Switch |
| R28 | Thermistor |
| SR1, SR2 | Silicon Rectifier, 600PIV at 500MA |
| SR3 | Selenium Rectifier, 400PIV at 75MA |
| T1 | Output Transformer, Type M212. |
| T2 | Power Transformer, Type M211. |
| T3 | Filter Choke, Type M209. |

McIntosh

LABORATORY INC.

2 CHAMBERS STREET, BINGHAMTON, N. Y.

Made in U.S.A.

Phone—Area Code 607-723-5491