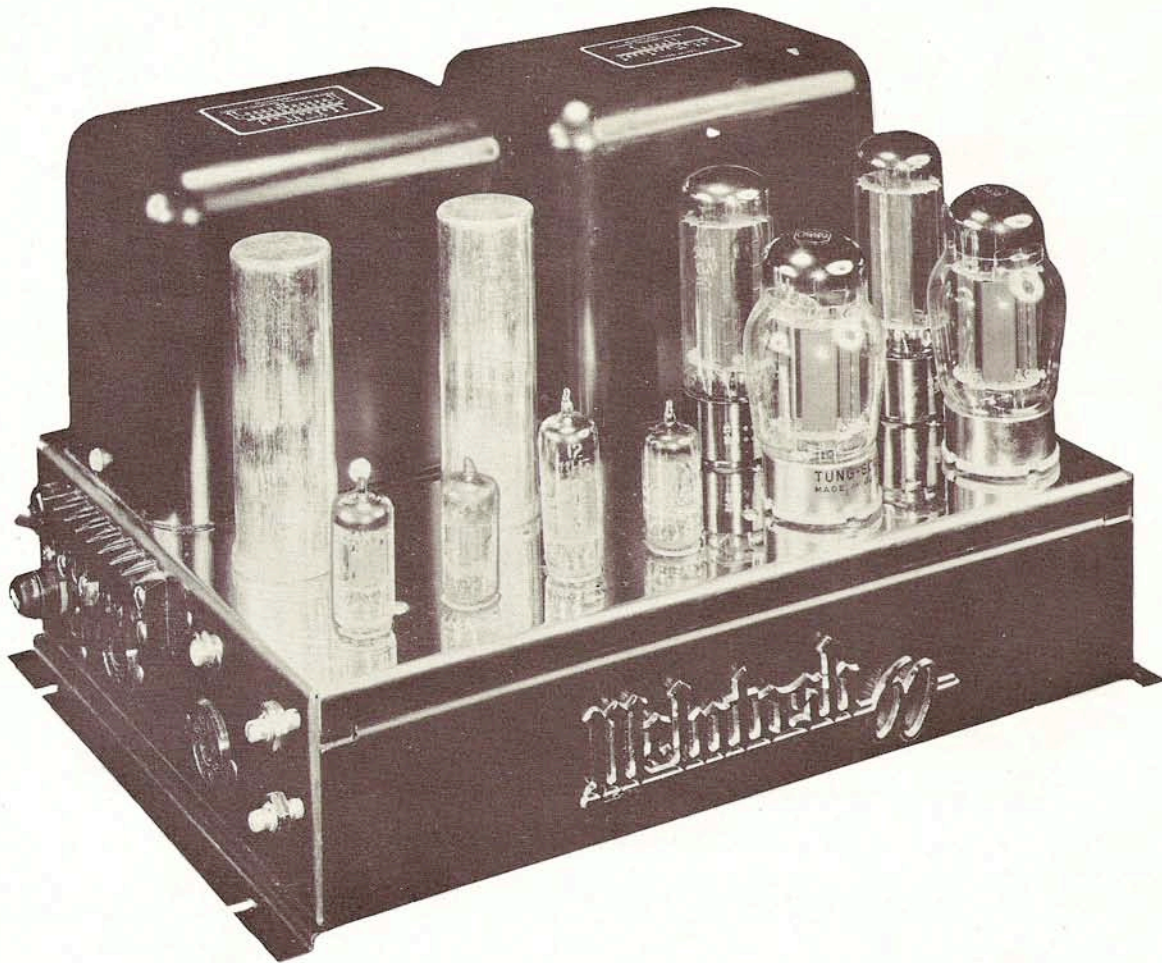




MC INTOSH  
MODEL MC-60



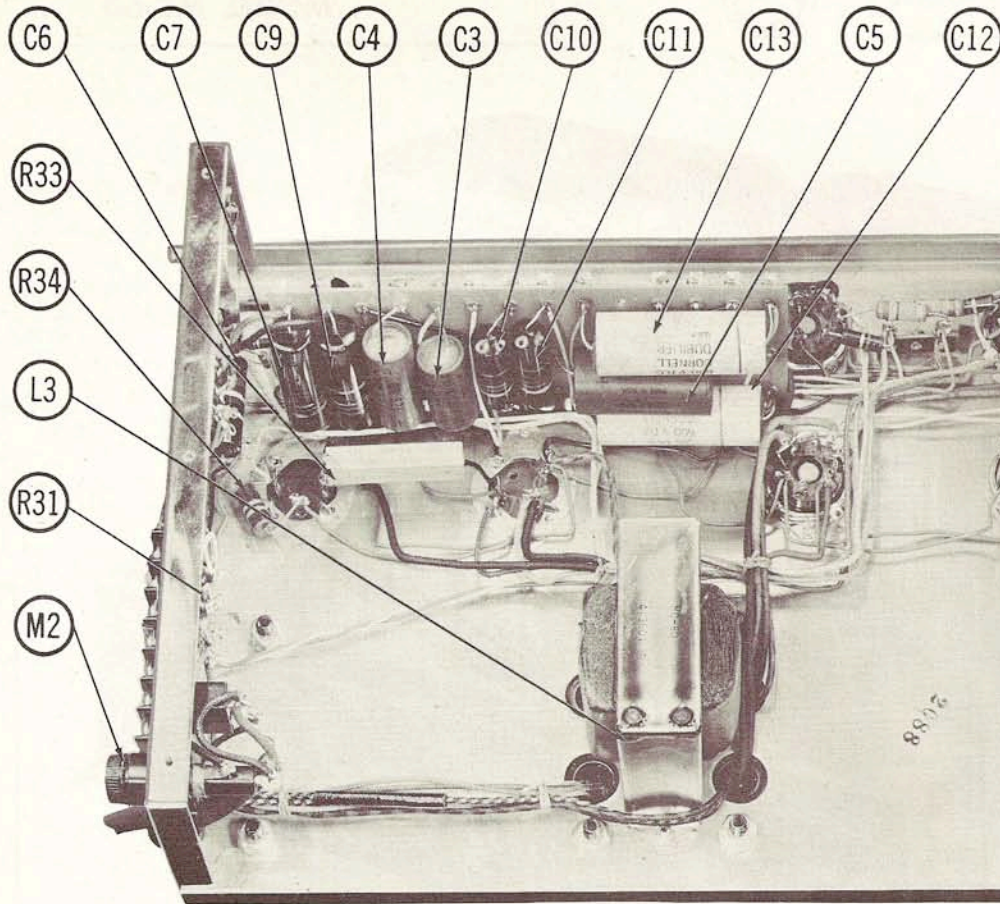
MC INTOSH  
MODEL MC-60

TRADE NAME	Mc Intosh Model MC-60	
MANUFACTURER	Mc Intosh Laboratory, Inc., 320 Water St., Binghamton, N. Y.	
TYPE SET	AC Operated 60 Watt Audio Amplifier	
TUBES (Eight)	Types 12AX7 AF Amp. -Volt. Reg., 12AU7 AF Amp. -Phase Inv., 12BH7 AF Amp., 12AX7 Driver, (2) 6550 Output, (2) 5U4GA Rectifier	
POWER SUPPLY	110-130 Volts AC-50/60 Cycles	RATING 1.2 Amp. @ 117 Volts AC

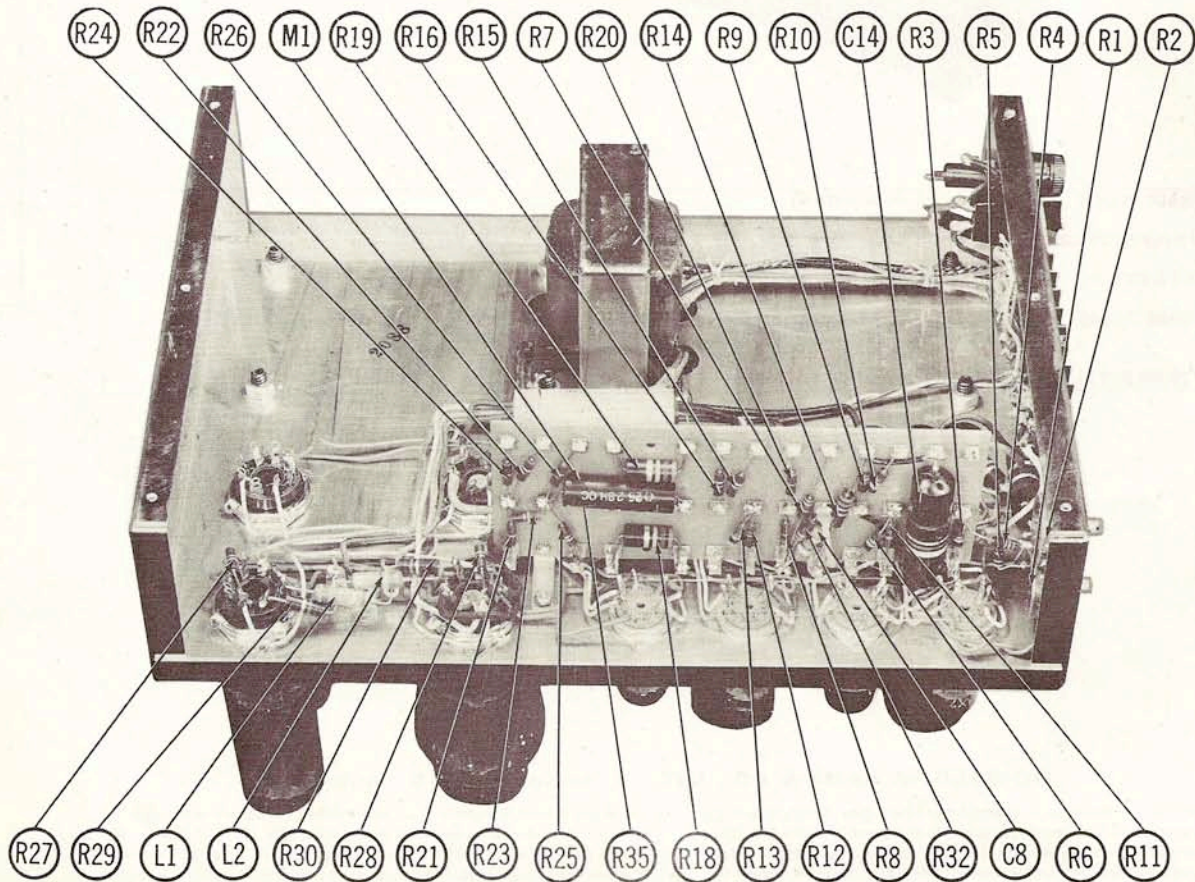
**HOWARD W. SAMS & CO., INC. • Indianapolis 5, Indiana**

"The listing of any available replacement part herein does not constitute in any case a recommendation, warranty or guaranty by Howard W. Sams & Co., Inc., as to the quality and suitability of such replacement part. The numbers of these parts have been compiled from information furnished to Howard W. Sams & Co., Inc., by the manufacturers of the particular type of replacement part listed."  
"Reproduction or use, without express permission, of editorial or pictorial con-

tent, in any manner, is prohibited. No patent liability is assumed with respect to the use of the information contained herein. Copyright 1957 by Howard W. Sams & Co., Inc., Indianapolis 5, Indiana, U. S. of America. Copyright under international Copyright Union. All rights reserved under Inter-American Copyright Union (1910) by Howard W. Sams & Co., Inc." Printed in U. S. of America



**CHASSIS-BOTTOM VIEW**



**CHASSIS-BOTTOM VIEW**

## PARTS LIST AND DESCRIPTIONS

### TUBES (GENERAL ELECTRIC, SYLVANIA)

ITEM No.	USE	TYPE	NOTES
V1	AF Amp. -Voltage Reg.	12AX7	
V2	AF Amp. -Phase Inv.	12AU7	
V3	AF Amplifier	12BH7	
V4	Driver	12AX7	

ITEM No.	USE	TYPE	NOTES
V5	Output	6550	
V6	Output	6550	
V7	Rectifier	5U4GA	
V8	Rectifier	5U4GA	

### ELECTROLYTIC CAPACITORS

ITEM No.	RATING		REPLACEMENT DATA						
	CAP.	VOLT.	MC INTOSH PART No.	AEROVOX PART No.	CORNELL-DUBILIER PART No.	MALLORY PART No.	PYRAMID PART No.	SANGAMO PART No.	SPRAGUE PART No.
C1A	.40	500						T-160	R2309 *
B	.80	450						D-270	
C	.20	450							
C2A	.40	500						T-160	R2309 *
B	.80	450						D-270	
C	.20	450							
C3	100	12	(Note 1)	PRSI2V100	BBR100-12	TC250	TD-100-15	MTH-1210	TVA-1130
C4	8	250	(Note 2)	PRS250V8	BR825	TC51	TD-8-250	FM-2508	TVA-1503
C5	10	450		PRS450V10	BRI045	TC72	TD-10-450	FM-4510	TVA-1705

Note 1. Chassis with serial numbers 500-1703 inclusive use 20MFD in this application.

Note 2. Chassis with serial numbers 500-1703 inclusive use .22MFD in this application.

\* Non-catalog item.

### FIXED CAPACITORS

Capacity values given in the rating column are in mfd. for Paper Capacitors, and in mmfd. for Mica and Ceramic Capacitors.

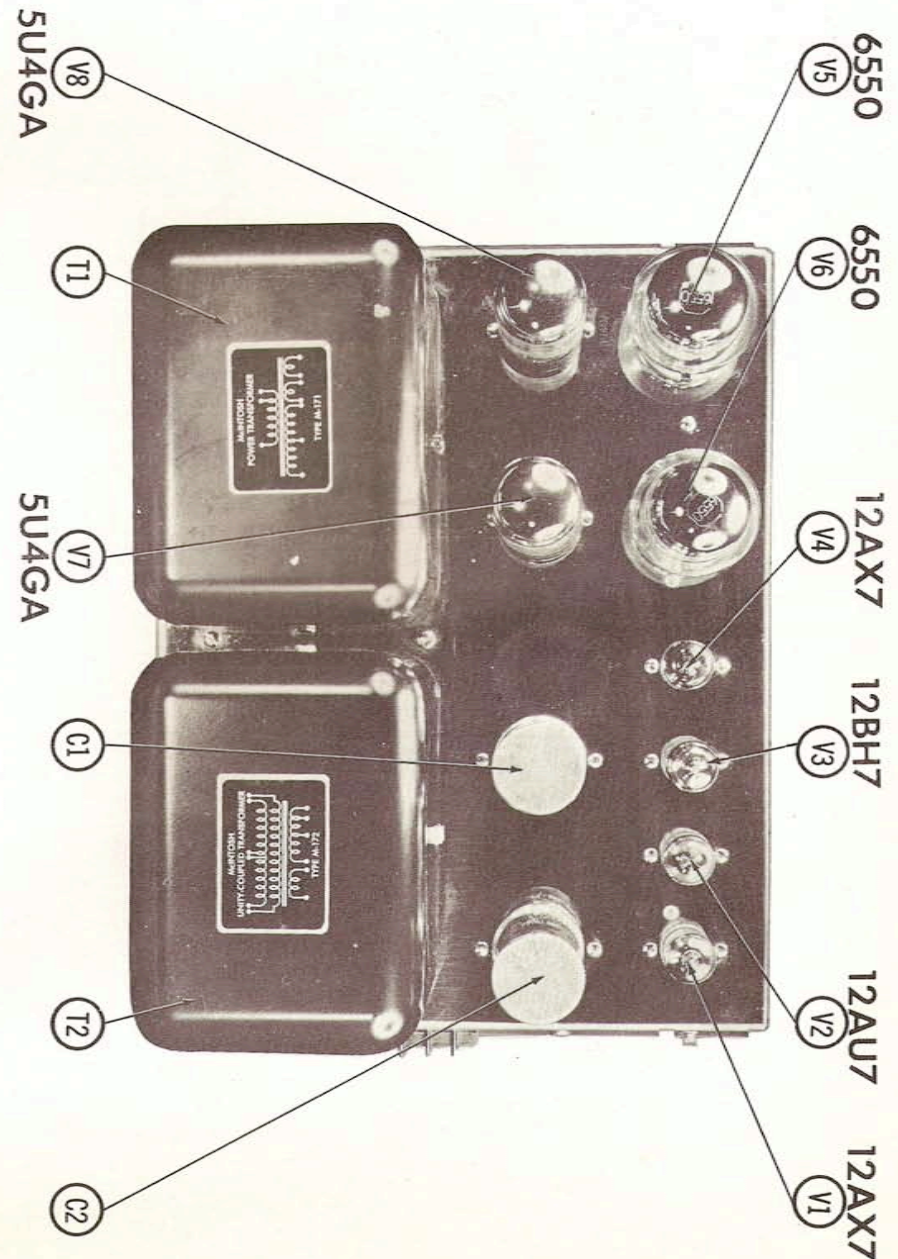
ITEM No.	RATING		REPLACEMENT DATA							NOTES
	CAP.	VOLT	MC INTOSH PART No.	AEROVOX PART No.	CENTRALAB PART No.	CORNELL-DUBILIER PART No.	ERIE PART No.	MALLORY PART No.	SPRAGUE PART No.	
C6	.1	400		P488N-1	DF-104	CUB4P1		PT401	4TM-P1	
C7	.47	200		P288N-47		CUB2P47		PT4047	2TM-P47	
C8	.470			1464-00047	D6-471	5R5T47	811-471		MS-347	
C9	.22	400		P488N-22		CUB4P22		PT4022	4TM-P22	
C10	.047	600		BPD-05	DF-503	CUB6S47		PT6147	6TM-S47	
C11	.047	600		BPD-05	DF-503	CUB6S47		PT6147	6TM-S47	
C12	.25	600		P688N-25		CUB6P25		PT6025	6TM-P25	
C13	.25	600		P688N-25		CUB6P25		PT6025	6TM-P25	
C14	.47	200		P288N-47		CUB2P47		PT4047	2TM-P47	

Note 1. Not used in some versions.

### CONTROLS

ITEM No.	RATING		REPLACEMENT DATA					INSTALLATION NOTES
	RESIST-ANCE	WATTS	MC INTOSH PART No.	CENTRALAB PART No.	CLAROSTAT PART No.	IRC PART No.	MALLORY PART No.	
RIA	50K		BY9859	BX-59	A47-500K-S	Q1-133	U50	Gain
R2A	250Ω		Not Req.	Not Req.	FKS-1/4	Not Req.	Not Req.	Attach to R1A
B			BB2859	AK-1		Q1-201		Hum
B			Not Req.			Not Req.		Attach to R2A

## CHASSIS—TOP VIEW



## PARTS LIST AND DESCRIPTIONS (Continued)

### RESISTORS

All wattages 1/2 watt, or less, unless otherwise listed.

ITEM No.	RATING		REPLACEMENT DATA		NOTES	ITEM No.	RATING		REPLACEMENT DATA		NOTES
	OHMS	WATT	MC INTOSH PART No.	IRC PART No.			MC INTOSH PART No.	IRC PART No.			
									OHMS	WATT	
R3	100K			BTS-100K		R21	1Meg		BTS-1Meg		
R4	27K			BTS-27K		R22	120K 5%		BTS-120K 5%		
R5	3.3Meg			BTS-3.3Meg		R23	820K 5%		BTS-820K 5%		
R6	100K			BTS-100K		R24	1Meg		BTS-1Meg		
R7	3300Ω			BTS-3300		R25	220K		BTS-220K		
R8	68Ω 5%			BTS-68 5%		R26	220K		BTS-220K		
R9	270K 5%			BTS-270K 5%	Note 1	R27	220K		BTS-220K		Note 4
R10	540K 5%			BTS-540K 5%	Note 2	R28	220K		BTS-220K		Note 4
R11	2.2Meg			BTS-2.2Meg		R29	220Ω	1	BTA-220		Note 4
R12	27K 5%			BTS-27K 5%		R30	220Ω	1	BTA-220		Note 4
R13	30K 5%			BTS-30K 5%		R31	180K		BTS-180K		Note 4
R14	18K	1		BTA-18K		R32	1300Ω 5%		BTS-1300 5%		
R15	220K			BTS-220K		R33	10K	10	PW10-10K		
R16	220K			BTS-220K		R34	10K	2	BTB-10K		
R17	330K			BTS-330K	Note 1	R35	1800Ω		BTS-1800		
R18	12K	2		BTB-12K	Note 3	R36	100Ω		BTS-100	Note 1	
R19	12K	2		BTB-12K	Note 3	R37	40Ω	10	1 3/4A-40	Note 5	
R20	1200Ω			BTS-1200	Note 3						

Note 1. Not used in some versions.

Note 2. In models with serial numbers from 500 to 1703 a 1.2Meg is used in this application.

Note 3. R18 and R19 are matched to within 1%.

Note 4. Not used in models with serial numbers from 500 to 1703.

Note 5. Use only in models with serial numbers from 500 to 1703.

### TRANSFORMER (POWER)

ITEM No.	RATING				REPLACEMENT DATA						
	PRI.	SEC. 1	SEC. 2	SEC. 3	MC INTOSH PART No.	Halldorsen PART No.	Merit PART No.	Stancor PART No.	Thordarson PART No.	Triad PART No.	
T1	125VAC tap @ 117VAC @1.2A	680VCT @.116A	5VAC @ 6A	6.3VAC @4.8A	M-171				26R25U ①		

① Tape 6.3V @.06A winding. Drill new mounting holes.

### TRANSFORMER (AUDIO OUTPUT)

ITEM No.	IMPEDANCE		REPLACEMENT DATA							NOTES
	PRI.	SEC.	MC INTOSH PART No.	Halldorsen PART No.	Merit PART No.	Stancor PART No.	Thordarson PART No.	Triad PART No.		
T2	610Ω	16Ω tap @ 8Ω, 4Ω	M-172							

## PARTS LIST AND DESCRIPTIONS (Continued)

### COILS (RF-IF)

ITEM No.	USE	DC RES.		REPLACEMENT DATA				NOTES
		PRI.	SEC.	MC INTOSH PART No.	MEISSNER PART No.	MERIT PART No.	MILLER PART No.	
L1	RF Choke	2Ω						2.7 Microhenries, IRC part #CLA 1.5 Microhenries, IRC part #CLA
L2	RF Choke	.8Ω			19-1001		4604	

### FILTER CHOKE

ITEM No.	RATINGS			REPLACEMENT DATA					
	TOTAL DIRECT CURRENT	D. C. RESISTANCE	INDUCTANCE (0 CURRENT 1000 $\sim$ )	MC INTOSH PART No.	Halldorsen PART No.	Merit PART No.	Stancor PART No.	Thordarson PART No.	Triad PART No.
L3	.116A	37.5Ω	1.84 HY	M-174	C5037 ①	C-2974 ①	C-2325 ①	26C43 ①	C-1TX ①

① Drill one new mounting hole.

### SELENIUM RECTIFIER

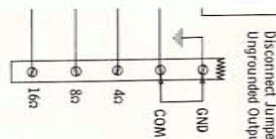
ITEM No.	RATING		REPLACEMENT DATA						NOTES
	CURRENT	MC INTOSH PART No.	FEDERAL PART No.	INTERNATIONAL PART No.	MALLORY PART No.	RADIO RECEPTOR PART No.	SARKIS TARZIAN PART No.		
M1	.003A	02628HQ		V20HP		HXL30	026-28H-QC		

### FUSES

ITEM No.	TYPE	RATING	REPLACEMENT DATA					
			MC INTOSH PART No.		LITTELFUSE PART No.		BUSS PART No.	
			FUSE	HOLDER	FUSE	HOLDER	FUSE	HOLDER
M2	3AG S/B	3 2/10A			31303.2 (3AG S/B 3 2/10A)	342001	MDL3 2/10	HKP

### MISCELLANEOUS

ITEM No.	PART NAME	MC INTOSH PART No.	NOTES
M3	Neon Bulb		#NE2 (Voltage Regulator) Not used in some versions.
M4	Neon Bulb		#NE2 (Voltage Regulator) Not used in some versions.



# CHASSIS—TOP VIEW

6550

V5

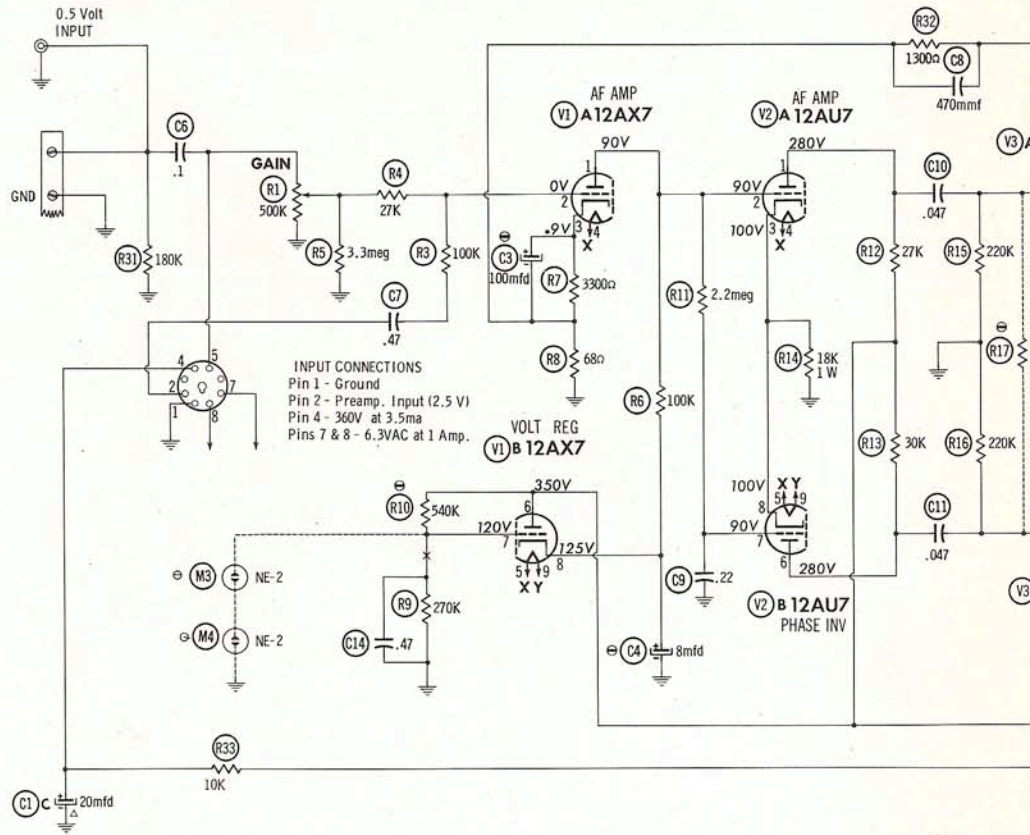
V8  
5U4GA

## PARTS LIST AND DESCRIPTIONS

TUBES (GENERAL ELECTRIC, SYLVANIA)

ITEM No.	USE	TYPE	NOTES
V5	Output Rectifier	6550	
V6	Output Rectifier	6550	
V7	Rectifier	5U4GA	
V8	Rectifier	5U4GA	

ITEM No.	USE	TYPE	NOTES
V1	AF Amp. -Voltage Reg.	12AX7	
V2	AF Amp. -Phase Inv.	12AU7	
V3	AF Amplifier	12BH7	
V4	Driver	12BX7	



### RESISTANCE READINGS

ITEM	TUBE	Pin 1	Pin 2	Pin 3	Pin 4	Pin 5	Pin 6	Pin 7	Pin 8	Pin 9
V1	12AX7	150K	27K	3300Ω	65Ω	65Ω	†10K	185K	19K	65Ω
V2	12AX7	†37K	†	18K	65Ω	65Ω	†40K	2.3 Meg	18K	65Ω
V3	12BH7	†13K	220K	1200Ω	65Ω	65Ω	†13K	220K	1200Ω	65Ω
V4	12AX7	†50Ω	1.1Meg	140K	65Ω	65Ω	†53Ω	1.1Meg	140K	65Ω
V5	6550	0Ω	65Ω	†150Ω	†290Ω	140K	NC	65Ω	15Ω	
V6	6550	0Ω	65Ω	†53Ω	†290Ω	140K	NC	65Ω	12Ω	
V7	5U4GA	NC	19K	NC	20Ω	NC	19Ω	NC	19K	
V8	5U4GA	NC	19K	NC	20Ω	NC	19Ω	NC	19K	

■ CONTROL GRID VOLTAGE MEASURED FROM CATHODE  
 † MEASURED FROM PIN 8 OF V8.  
 NC NO CONNECTION.

⊖ SEE PARTS LIST FOR ALTERNATE VALUE OR APPLICATION

1. DC voltage measurements taken  
 AC voltages measured at 1000  
 2. Socket connections are shown a  
 3. Measured values are from so  
 4. Line voltage maintained at 1  
 5. Nominal tolerance on compone  
 variation of ± 1% in voltage an  
 6. All controls at minimum, p

A PHOTOFAC STANDARD NOTATION SCHEMATIC  
 © Howard W. Sams & Co., Inc. 1957

