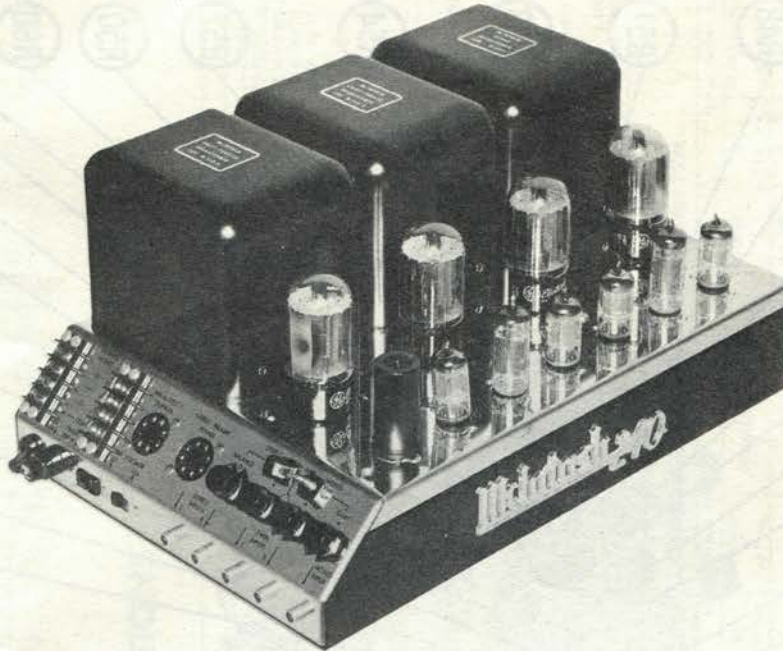


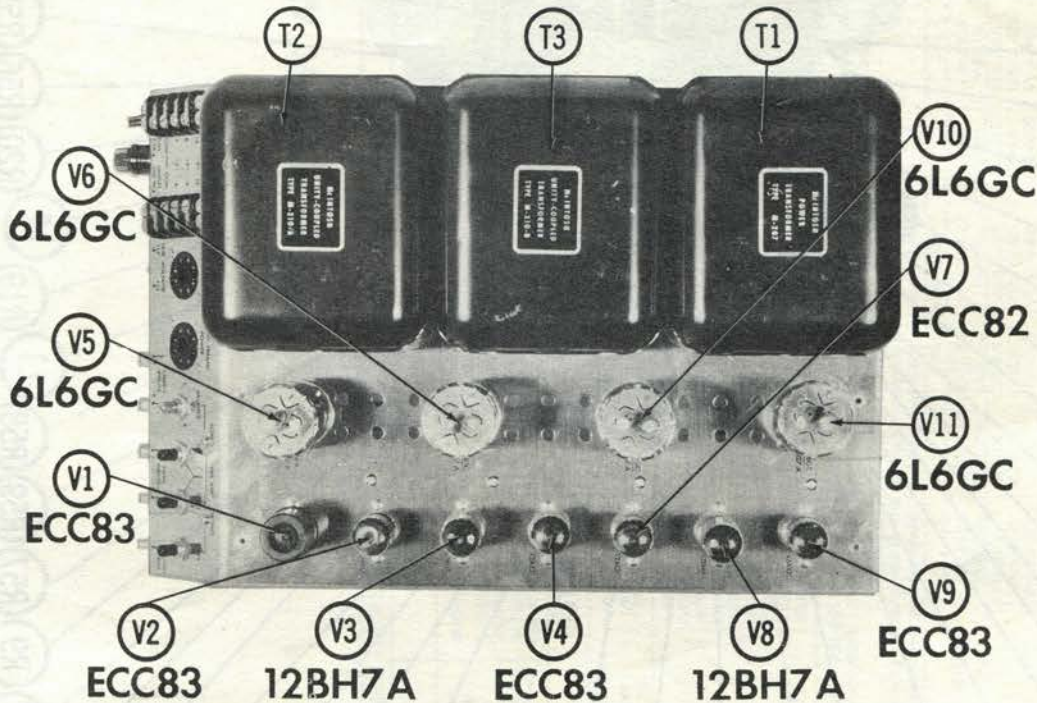


McINTOSH
MODEL MC-240



McINTOSH
MODEL MC-240

TRADE NAME	McIntosh Model MC-240 (Serial #1PO01 and above)		
MANUFACTURER	McIntosh Laboratory, Inc., 2 Chambers Street, Binghamton, N. Y.		
TYPE SET	AC Operated 11 Tube Stereo Amplifier		
POWER SUPPLY	105 - 130 Volts AC, 50-60 Cycles	RATING	160 Watts, 1.7 Amp. @117 Volts AC

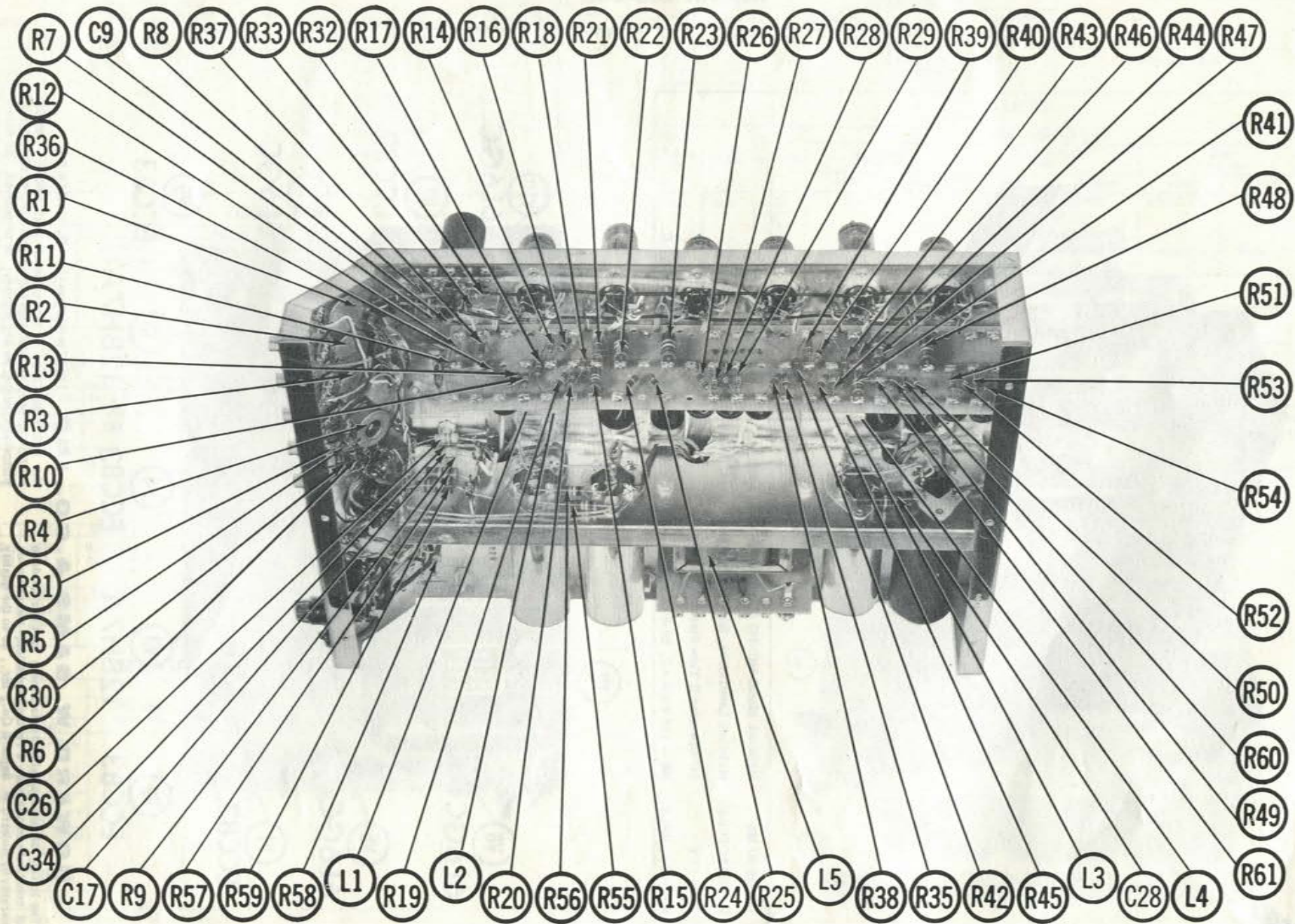


HOWARD W. SAMS & CO., INC. Indianapolis 6, Indiana

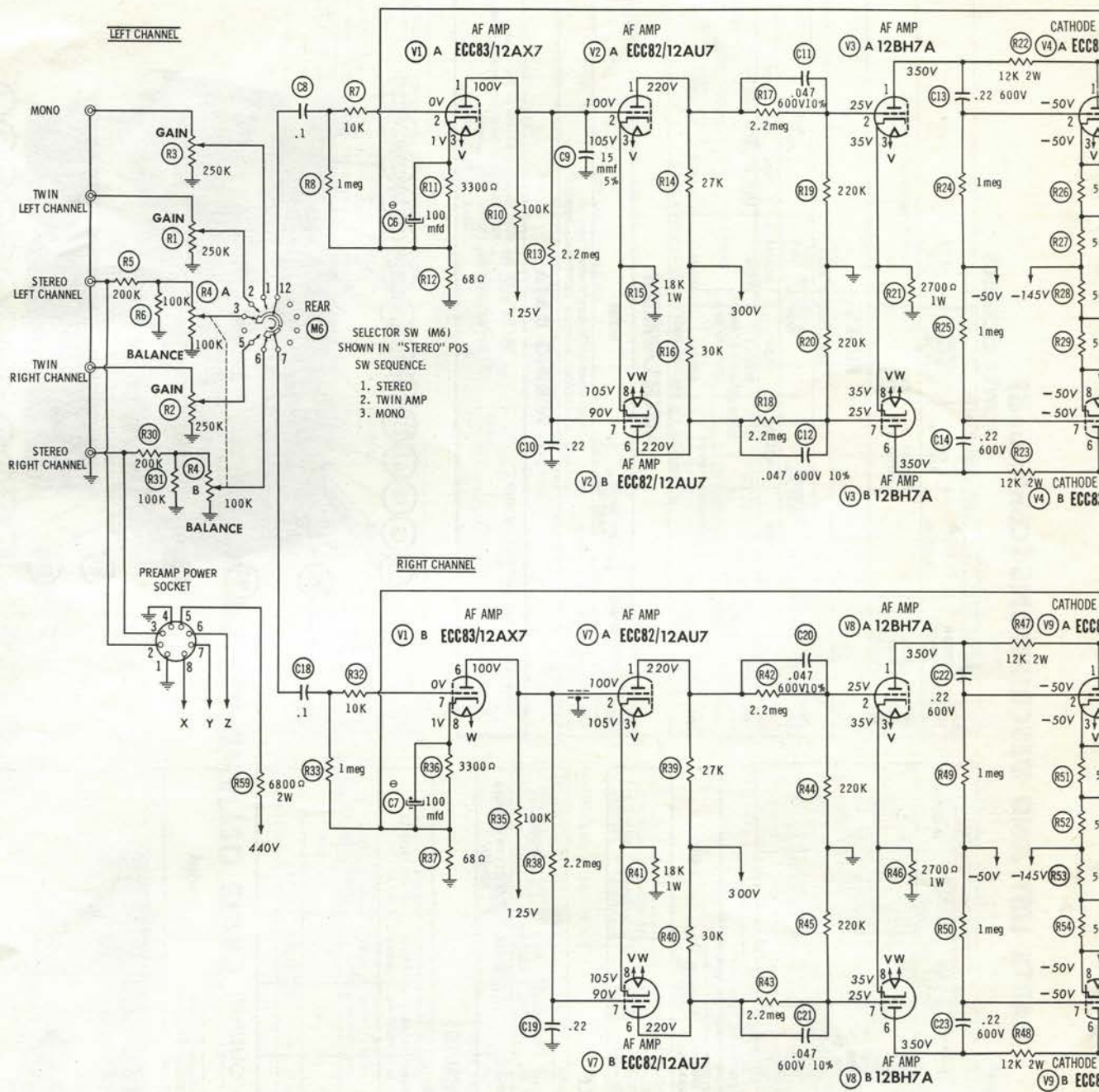
The listing of any available replacement part herein does not constitute in any case a recommendation, warranty or guaranty by Howard W. Sams & Co., Inc., as to the quality and suitability of such replacement part. The numbers of these parts have been compiled from information furnished to Howard W. Sams & Co., Inc., by the manufacturers of KV788

the particular type of replacement part listed. Reproduction or use, without express permission, of editorial or pictorial content, in any manner, is prohibited. No patent liability is assumed with respect to the use of the information contained herein. © 1961 Howard W. Sams & Co., Inc., Indianapolis 6, Indiana. Printed in U.S. of America





CHASSIS BOTTOM VIEW



SELECTOR SW (M6)
SHOWN IN "STEREO" POS
SW SEQUENCE:
1. STEREO
2. TWIN AMP
3. MONO

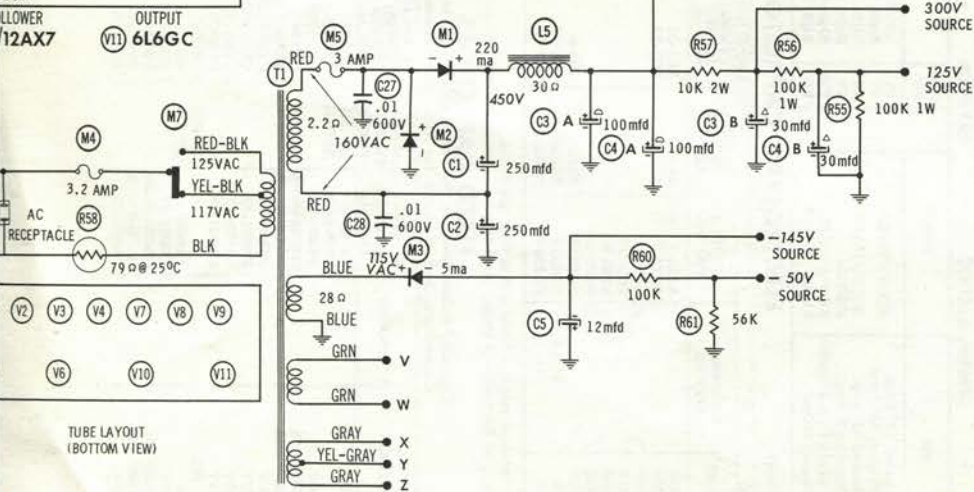
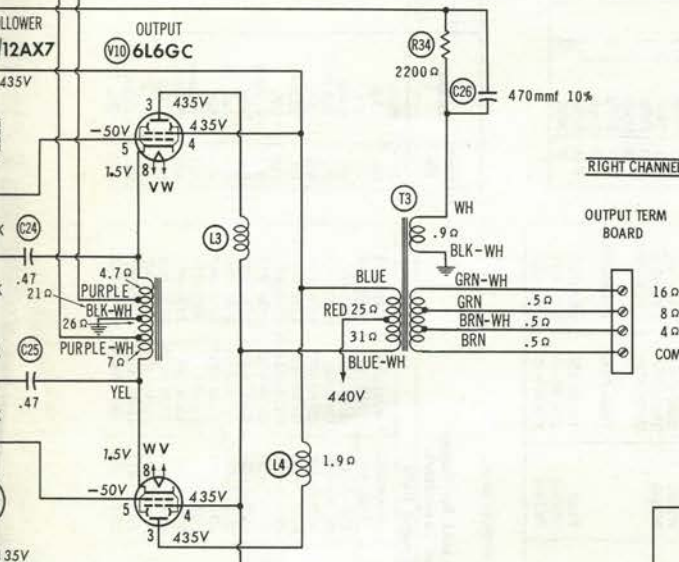
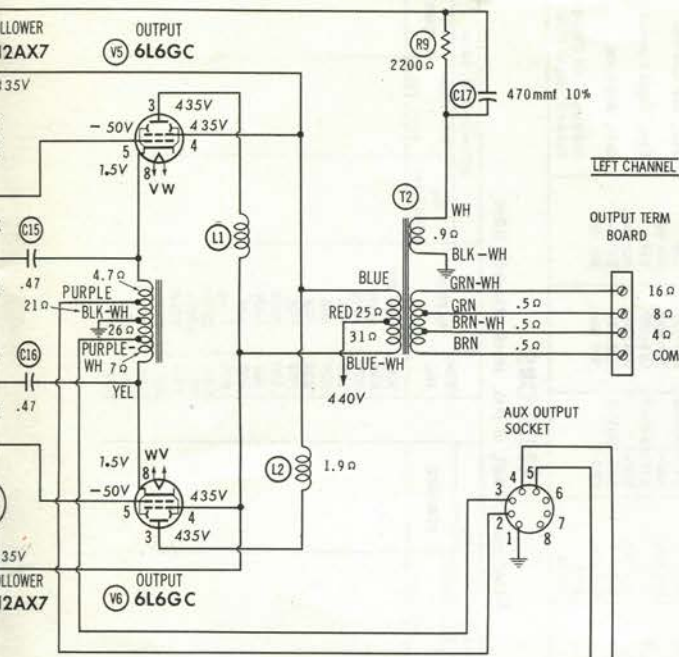
RESISTANCE READINGS

ITEM	TUBE	Pin 1	Pin 2	Pin 3	Pin 4	Pin 5	Pin 6	Pin 7	Pin 8	Pin 9
V1	ECC83 12AX7	†210K	1 meg	3300 Ω	FIL	FIL	†210K	1 meg	3300 Ω	FIL
V2	ECC82 12AU7	†37K	†210K	18K	FIL	FIL	†40K	†2.4 meg	18K	FIL
V3	12BH7A	†12K	210K	2700 Ω	FIL	FIL	†12K	210K	2700 Ω	FIL
V4	ECC83 12AX7	†55 Ω	1 meg	270K	FIL	FIL	†61 Ω	1 meg	270K	FIL
V5	6L6GC	NC	FIL	†61 Ω	†55 Ω	270K	NC	FIL	26 Ω	
V6	6L6GC	NC	FIL	†55 Ω	†61 Ω	270K	NC	FIL	33 Ω	
V7	ECC82 12AU7	†37K	†210K	18K	FIL	FIL	†40K	†2.4 meg	18K	FIL
V8	12BH7A	†12K	210K	2700 Ω	FIL	FIL	†12K	210K	2700 Ω	FIL
V9	ECC83 12AX7	†55 Ω	1 meg	270K	FIL	FIL	†61 Ω	1 meg	270K	FIL
V10	6L6GC	NC	FIL	†61 Ω	†55 Ω	270K	NC	FIL	26 Ω	
V11	6L6GC	NC	FIL	†55 Ω	†61 Ω	270K	NC	FIL	33 Ω	

† MEASURED FROM OUTPUT OF M1.

NC NO CONNECTION

- DC voltage measurements taken with vacuum tube voltmeter; AC voltages measured with 1000 ohm per volt meter.
- Socket connections are shown as bottom views.
- Measured values are from socket pin to common ground.
- Line voltage maintained at 117 volts for voltage readings.
- Nominal tolerance of component values makes possible a variation of ±1% in voltage and resistance readings.
- All controls at minimum, proper output load connected.



PARTS LIST AND DESCRIPTIONS

TUBES

• GENERAL ELECTRIC •			RAYTHEON			• SYLVANIA •		
ITEM No.	USE	TYPE	ITEM No.	USE	TYPE	ITEM No.	USE	TYPE
V1	Left Channel AF Amp. - Right Channel AF Amp.	ECC83/12AX7	V6	Left Channel Output	6L6GC (7027) *			
V2	Left Channel AF Amp.	ECC82/12AU7	V7	Right Channel AF Amp.	ECC82/12A U7			
V3	Left Channel AF Amp.	12BH7A	V8	Right Channel AF Amp.	12BH7A			
V4	Left Channel Cath. Follower	ECC83/12AX7	V9	Right Channel Cath. Foll.	ECC83/12AX7			
V5	Left Channel Output	6L6GC (7027) *	V10	Right Channel Output	6L6GC (7027) *			
			V11	Right Channel Output	6L6GC (7027) *			

FIXED CAPACITORS (cont)

ITEM No.	RATING	REMARKS	REPLACEMENT DATA					
			AEROVOX PART No.	CENTRALAB PART No.	CORNELL-DUBILIER PART No.	ELMENCO PART No.	MALLORY PART No.	SPRAGUE PART No.
C23	.22 600V		P688N-22		CUB6P22	6DP-5-224	GEM-6022	6TM-P22
C24	.47 200V		P288N-47		CUB2P47	2DP-5-474	GEM-2047	2TM-P47
C25	.47 200V		P288N-47		CUB2P47	2DP-5-474	GEM-2047	2TM-P47
C26	470 10%			D6-471	5R5T47	CCD-471	GP347	10TS-T47
C27	.01 600V		P688N-01	D6-103	CUB6S1	6DP-2-103	GEM-611	6TM-S10
C28	.01 600V		P688N-01	D6-103	CUB6S1	6DP-2-103	GEM-611	6TM-S10

* Alternate

ELECTROLYTIC CAPACITORS

ITEM No.	RATING		REPLACEMENT DATA						
	CAP.	VOLT.	McIntosh PART No.	AEROVOX PART No.	CORNELL-DUBILIER PART No.	GENERAL ELECTRIC PART No.	MALLORY PART No.	PYRAMID PART No.	SPRAGUE PART No.
C1	250	250		AFH1-37-35	XA0318	XC1-23	WP132	TMS-1590	TVL-1590
C2	250	250		AFH1-37-35	XA0318	XC1-23	WP132	TMS-1590	TVL-1590
C3A	100	500		AFH1-63				TMD-2790	TVLS-2950*
C3B	30	450		PRSI740					
C4A	100	500		AFH1-63				TMD-2790	TVLS-2950*
C4B	30	450		PRSI740					
C5	12	250		PRSI560	BRI235	QT1-8	TC53	TD-12-250	TVA-1505
C6	100	12	Note 1	PRSI150	BRI100-15	QT1-23	TC2501	TD-100-15	TVA-1130
C7	100	12	Note 1	PRSI150	BRI100-15	QT1-23	TC2501	TD-100-15	TVA-1130

Note 1. Some versions may use 3 volt unit in this application.

* Not normally in distributor's stock. Available thru distributor on order to manufacturer.

FIXED CAPACITORS
Capacity values given in the rating column are in mfd. for Paper Capacitors, and in mmfd. for Mica and Ceramic Capacitors.

ITEM No.	RATING	REMARKS	REPLACEMENT DATA					
			AEROVOX PART No.	CENTRALAB PART No.	CORNELL-DUBILIER PART No.	ELMENCO PART No.	MALLORY PART No.	SPRAGUE PART No.
C8	.1 200V		P288N-1	DF-104	CUB2P1	2DP-3-104	GEM-201	2TM-P10
C9	15 5%		NPO-D115	DTZ-15	C10Q15C	CCO-150	CNO-415	10TCC-Q15
C10	.22 400V		P488N-22		CUB4P22	4DP-5-224	GEM-4022	4TM-P22
C11	.047 600V 10%		V84C6S47-10%		PM6S47	6DP-3-473	GEM-1615	6TM-S47
C12	.047 600V 10%		V84C6S47-10%		PM6S47	6DP-3-473	GEM-1615	6TM-S47
C13	.22 600V		P688N-22		CUB6P22	6DP-5-224	GEM-6022	6TM-P22
C14	.22 600V		P688N-22		CUB6P22	6DP-5-224	GEM-6022	6TM-P22
C15	.47 200V		P288N-47		CUB2P47	2DP-5-474	GEM-2047	2TM-P47
C16	.47 200V		P288N-47		CUB2P47	2DP-5-474	GEM-2047	2TM-P47
C17	470 10%			D6-471	5R5T47	CCD-471	GP347	10TS-T47
C18	.1 200V		P288N-1	DF-104	CUB2P1	2DP-3-104	GEM-201	2TM-P10
C19	.22 400V		P488N-22		CUB4P22	4DP-5-224	GEM-4022	4TM-P22
C20	.047 600V 10%		V84C6S47-10%		PM6S47	6DP-3-473	GEM-1615	6TM-S47
C21	.047 600V 10%		V84C6S47-10%		PM6S47	6DP-3-473	GEM-1615	6TM-S47
C22	.22 600V		P688N-22		CUB6P22	6DP-5-224	GEM-6022	6TM-P22

CONTROLS

ITEM No.	RATING		REPLACEMENT DATA					INSTALLATION NOTES
	RESISTANCE	WATTS	Mc Intosh PART No.	CENTRALAB PART No.	CLAROSTAT PART No.	CTS-IRC PART No.	MALLORY PART No.	
R1A	250K	$\frac{1}{2}$	R-106-2	B-51	A47-250K-Z	Q13-130	U44	Gain, Left Channel
B	Shaft			Not Req.	KSS-3	Not Req.	Not Req.	
R2A	250K	$\frac{1}{2}$	R-106-2	B-51	A47-250K-Z	Q13-130	U44	Gain, Right Channel
B	Shaft			Not Req.	KSS-3	Not Req.	Not Req.	
R3A	250K	$\frac{1}{2}$	R-106-2	B-51	A47-250K-Z	Q13-130	U44	Gain, Monaural
B	Shaft			Not Req.	KSS-3	Not Req.	Not Req.	
R4A	100K	$\frac{1}{2}$	R-106-1	B-41				Balance, Left Channel
B	100K	$\frac{1}{2}$		SR-42				Balance, Right Channel

RESISTORS

All wattages 1/2 watt, or less, unless otherwise listed.

ITEM No.	RATING	REPLACEMENT DATA			ITEM No.	RATING	REPLACEMENT DATA		
		IRC PART No.	WORKMAN TV PART No.	REMARKS			IRC PART No.	WORKMAN TV PART No.	REMARKS
R5	200K				R23	12K 2W			
R6	100K				R24	1meg			
R7	10K				R25	1meg			
R8	1meg				R26	56K			
R9	2200Ω				R27	56K			
R10	100K				R28	56K			
R11	3300Ω				R29	56K			
R12	68Ω				R30	200K			
R13	2.2meg				R31	100K			
R14	27K				R32	10K			
R15	18K 1W				R33	1meg			
R16	30K				R34	2200Ω			
R17	2.2meg				R35	100K			
R18	2.2meg				R36	3300Ω			
R19	220K				R37	68Ω			
R20	220K				R38	2.2meg			
R21	2700Ω 1W				R39	27K			
R22	12K 2W				R40	30K			

PARTS LIST AND DESCRIPTIONS (Continued)

RESISTORS (cont)

ITEM No.	RATING	REPLACEMENT DATA			ITEM No.	RATING	REPLACEMENT DATA		
		IRC PART No.	WORKMAN TV PART No.	REMARKS			IRC PART No.	WORKMAN TV PART No.	REMARKS
R41	18K 1W				R52	56K			
R42	2.2meg				R53	56K			
R43	2.2meg				R54	56K			
R44	220K				R55	100K 1W			
R45	220K				R56	100K 1W			
R46	2700Ω 1W				R57	10K 2W			
R47	12K 2W				R58	79Ω@25°C			
R48	12K 2W				R59	6800Ω 2W			
R49	1meg				R60	100K			
R50	1meg				R61	56K			
R51	56K								

COILS (RF-IF)

ITEM No.	USE	REPLACEMENT DATA					NOTES
		McIntosh PART No.	Merit PART No.	Miller PART No.	Stancor PART No.	Workman TV PART No.	
L1	RF Choke(1.5uh)		BC-562	4604	RTC-8516	T856	
L2	RF Choke(2.7uh)		SW-630	4606	RTC-8517	T857	
L3	RF Choke(1.5uh)		BC-562	4604	RTC-8516	T856	
L4	RF Choke(2.7uh)		SW-630	4606	RTC-8517	T857	

FILTER CHOKE

ITEM No.	RATINGS		REPLACEMENT DATA					NOTES	
	CURRENT (Measured)	DC RES.	INDUCTANCE (0 CURRENT 1000 Ω)	McIntosh PART No.	Merit PART No.	Stancor PART No.	Thordarson PART No.		Triad PART No.
L5	.220A	30Ω	1HY	L-106-114	C-4084	C-2343 ①		C-17X	① Drill new mounting hole(s).

TRANSFORMER (POWER)

ITEM No.	RATING			REPLACEMENT DATA					NOTES
	PRI.	SEC. 1	SEC. 2	McIntosh PART No.	Merit PART No.	Stancor PART No.	Thordarson PART No.	Triad PART No.	
T1	125V Tap @ 1.7A	160V @ .8A AC	6.3V @ 6.3A	T-106-115					
	SEC. 3	SEC. 4	SEC. 5						
	6.3V	115V @ .005A DC							

TRANSFORMER (AUDIO OUTPUT)

ITEM No.	IMPEDANCE		REPLACEMENT DATA					NOTES
	PRI. 1	SEC. 1	McIntosh PART No.	Merit PART No.	Stancor PART No.	Thordarson PART No.	Triad PART No.	
T2	1000Ω CT Tap @ 600Ω CT	16Ω Tap @ 8Ω, 4Ω						
	PRI. 2	SEC. 2						
	1000Ω CT	18Ω						
T3	PRI. 1	SEC. 1						
	1000Ω CT Tap @ 600Ω CT	16Ω Tap @ 8Ω, 4Ω						
	PRI. 2	SEC. 2						
	1000Ω CT	18Ω						

POWER RECTIFIERS

ITEM No.	RATING	REPLACEMENT DATA			NOTES
	CURRENT (Measured)	Mc Intosh PART No.	RCA PART No.	SARKES TARZIAN PART No.	
M1	.220A		IN1763 †	F6 †	* Selenium † Silicon
M2	.220A		IN1763 †	F6 †	
M3	.005A	*		10 *	

FUSES

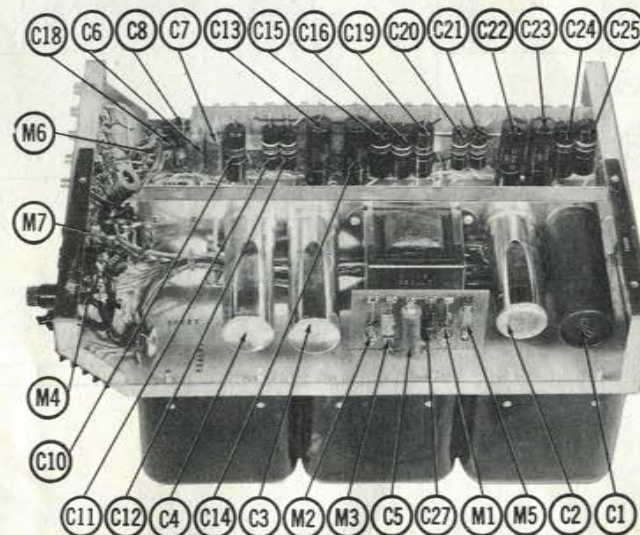
ITEM No.	TYPE	RATING	REPLACEMENT DATA					
			Mc Intosh PART No.		LITTELFUSE PART No.		BUSS PART No.	
			FUSE	HOLDER	FUSE	HOLDER	FUSE	HOLDER
M4	3AG	3.2A 125V S/B			31303.2 (3AG 3 2/10A 125V S/B)	342001	MDL 3 2/10	HKP
M5	3AG	3A 250V			312003 (3AG 3A 250V)	356001	AGC 3	4405

MISCELLANEOUS

ITEM No.	PART NAME	Mc Intosh PART No.	NOTES
M6	Switch		Input Selector (Rotary Wafer Type)
M7	Switch		117-125VAC Selector (SPST Slide Type)

WIRING DATA

General-use Unshielded Hook-up Wire Use BELDEN No. 8530 (Solid) Available in Ten Colors
8524 (Stranded) Available in Ten Colors
Power Cord Use BELDEN No. 1765-B (6 Ft. Length)
1725-K (7½ Ft. Length)



CHASSIS-BOTTOM VIEW