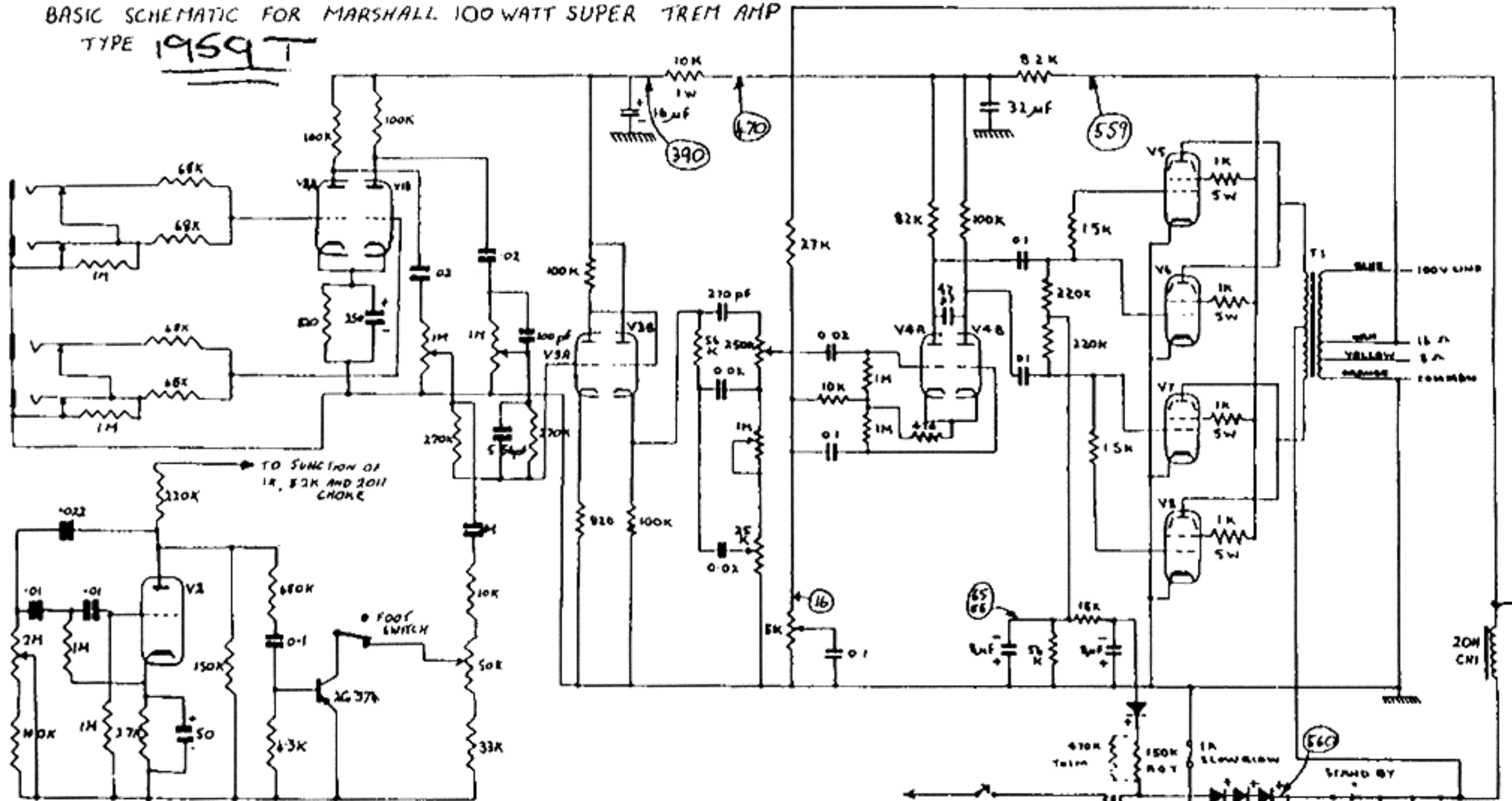
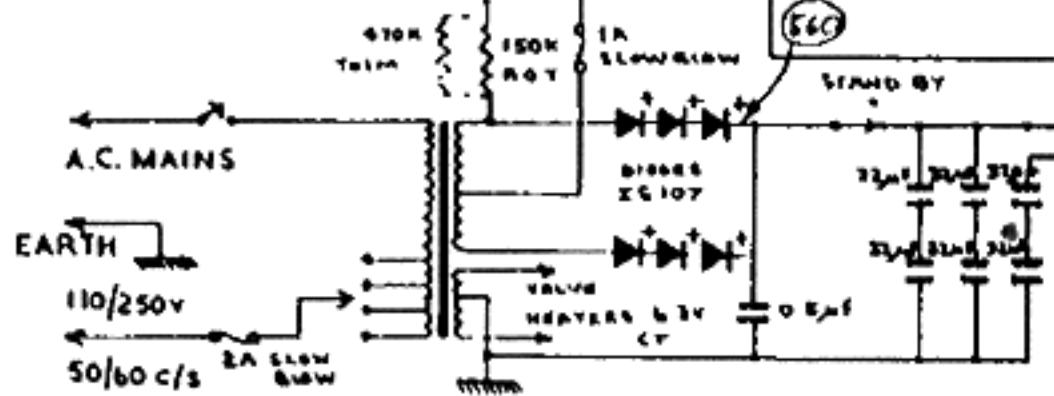


# BASIC SCHEMATIC FOR MARSHALL 100 WATT SUPER TREM AMP TYPE 1959T



VALVE VOLTAGE CHART

VALVE	1	2	3	4	5	6	7	8	9	10	11
V <sub>1</sub>	285	0	2		285	0	2				
V <sub>2</sub>	175	0	1.5								
V <sub>3</sub>	225	0	1.4	2 VOLT HEATERS	100	225	225				
V <sub>4</sub>	310	+	52	HEATERS	300	+	52				
V <sub>5</sub>			560	559							
V <sub>6</sub>			560	559							
V <sub>7</sub>			560	559							
V <sub>8</sub>			560	559							



ALL RESISTORS ARE HALF WATT UNLESS OTHERWISE STATED  
 ALL VOLTAGES MEASURED TO CHASSIS UNDER NO SIGNAL  
 CONDITIONS WITH AN AVO MODEL B 1K II  
 METER SENSITIVITY 20,000 Ω/V.