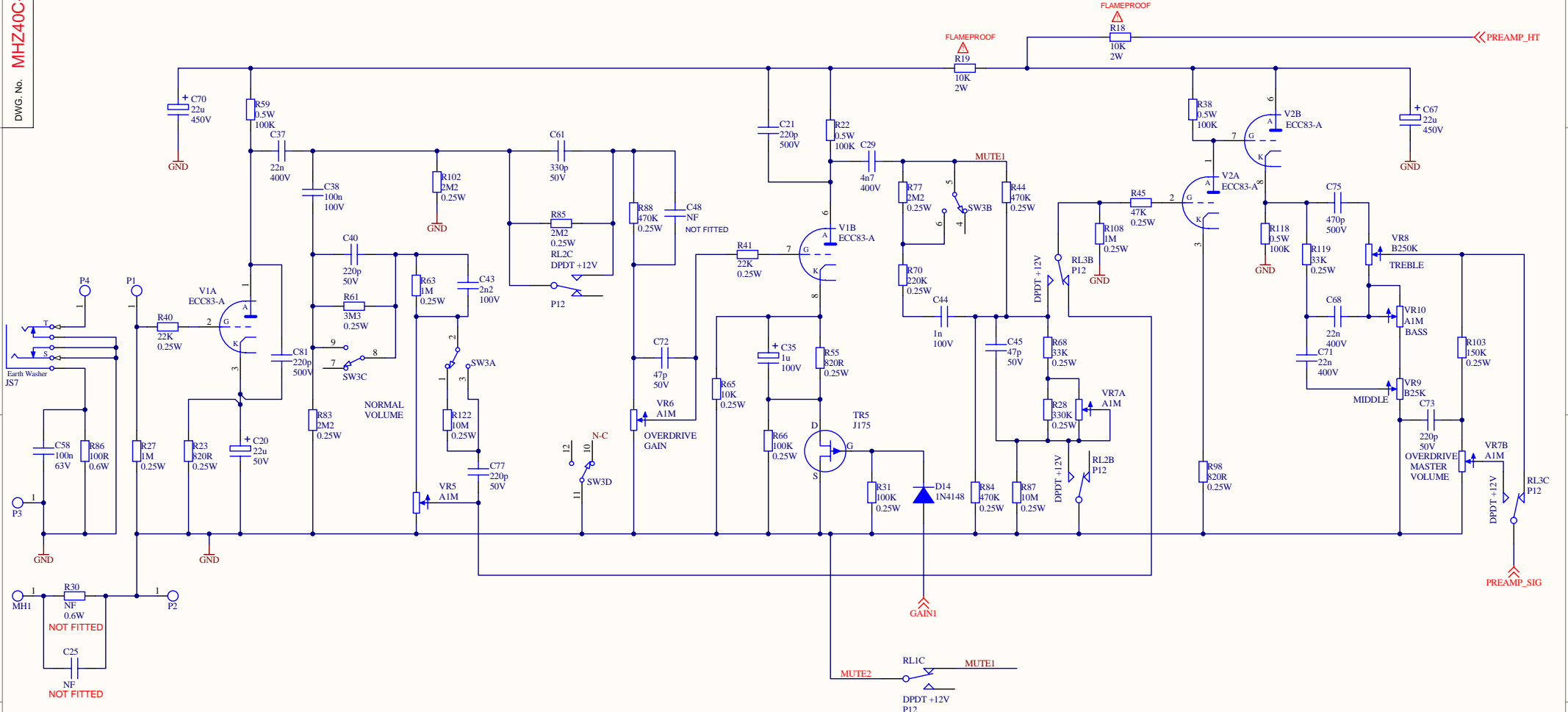


△ SAFETY CRITICAL COMPONENT
REPLACE ONLY WITH SAME TYPE
& RATING

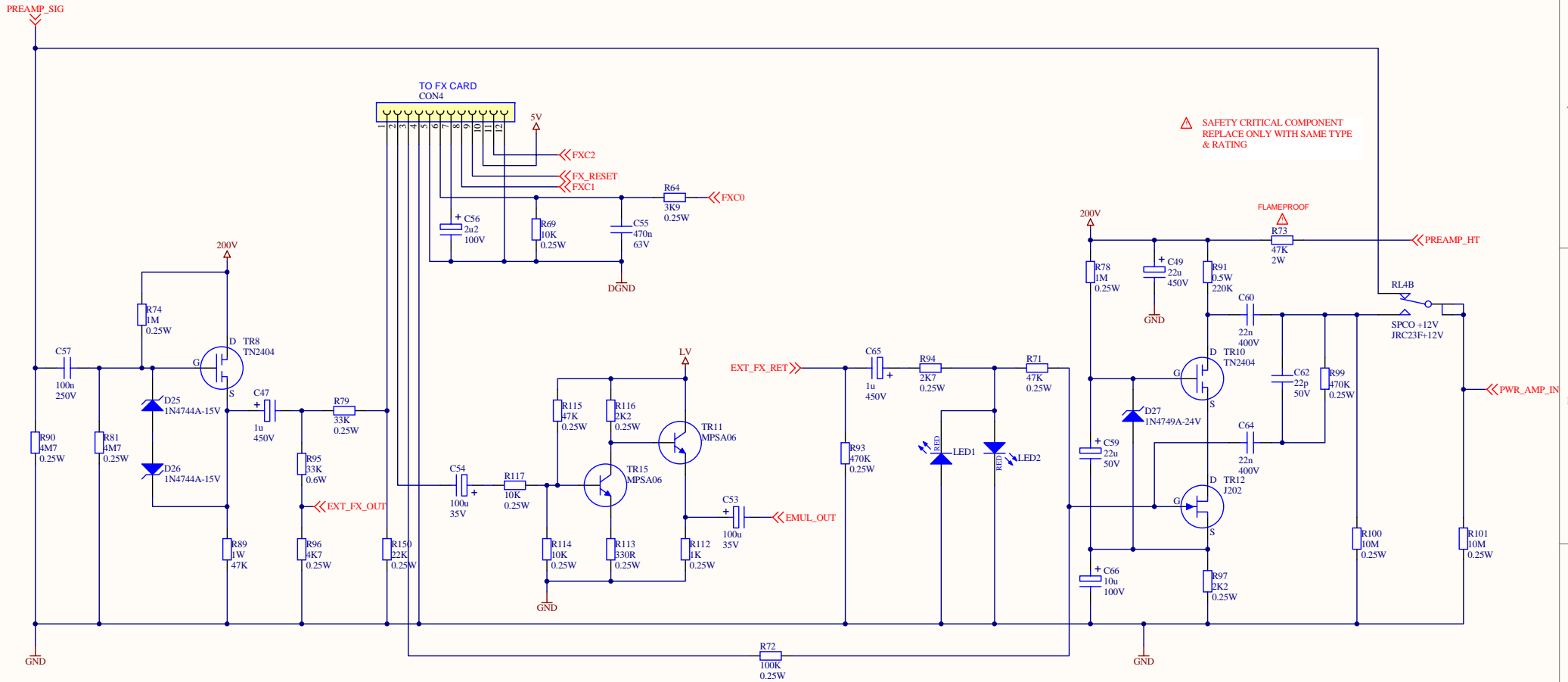


ISS	ECO NUMBER	DATE
2	3171	06MAY09

MATERIAL		DIMENSIONS IN mm	
MATERIAL THICKNESS		TOLERANCE (UNLESS OTHERWISE STATED)	
DRAWN HG	DATE 20FEB08	HOLE DIA = +/- DIMENSIONAL = +/-	
CHECKED JL	DATE 06MAY09	MODEL	
APPROVED LV	DATE 06MAY09	MHZ40C	



TITLE		
PRE-AMP		
DWG. No.	ISS	Sheet
MHZ40C-60-02	2	1 of 6
Date: 07/05/2009		

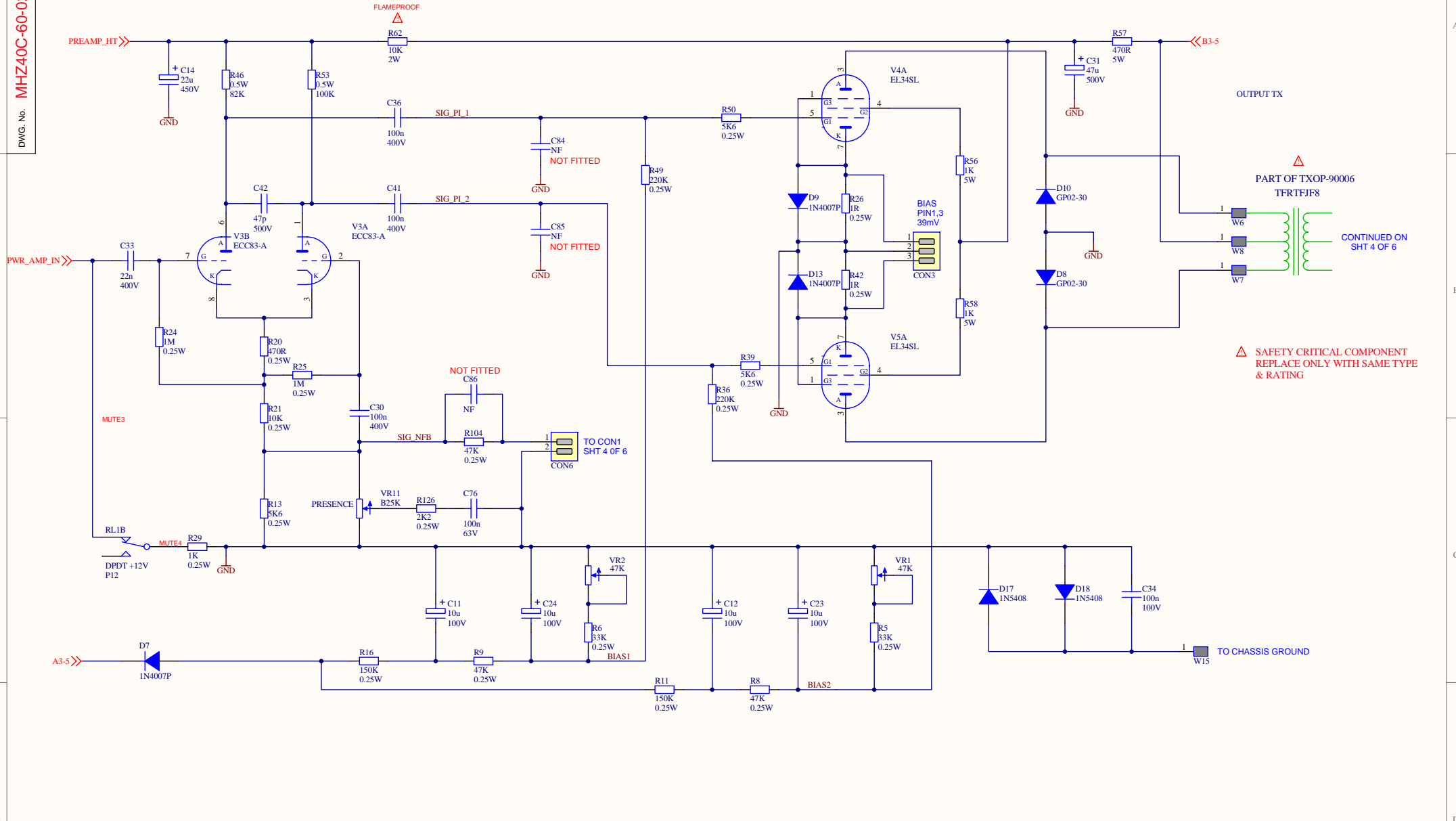


2	3171	06MAY09
ISS	ECO NUMBER	DATE

MATERIAL	DIMENSIONS IN mm
MATERIAL THICKNESS	TOLERANCE (UNLESS OTHERWISE STATED)
DRAWN HG	DATE 20FEB08
CHECKED JL	DATE 06MAY09
APPROVED LV	DATE 06MAY09
	MODEL MHZ40C



TITLE FX LOOP		
DWG. No. MHZ40C-60-02	ISS 2	Sheet 2 of 6
Date: 07/05/2009		

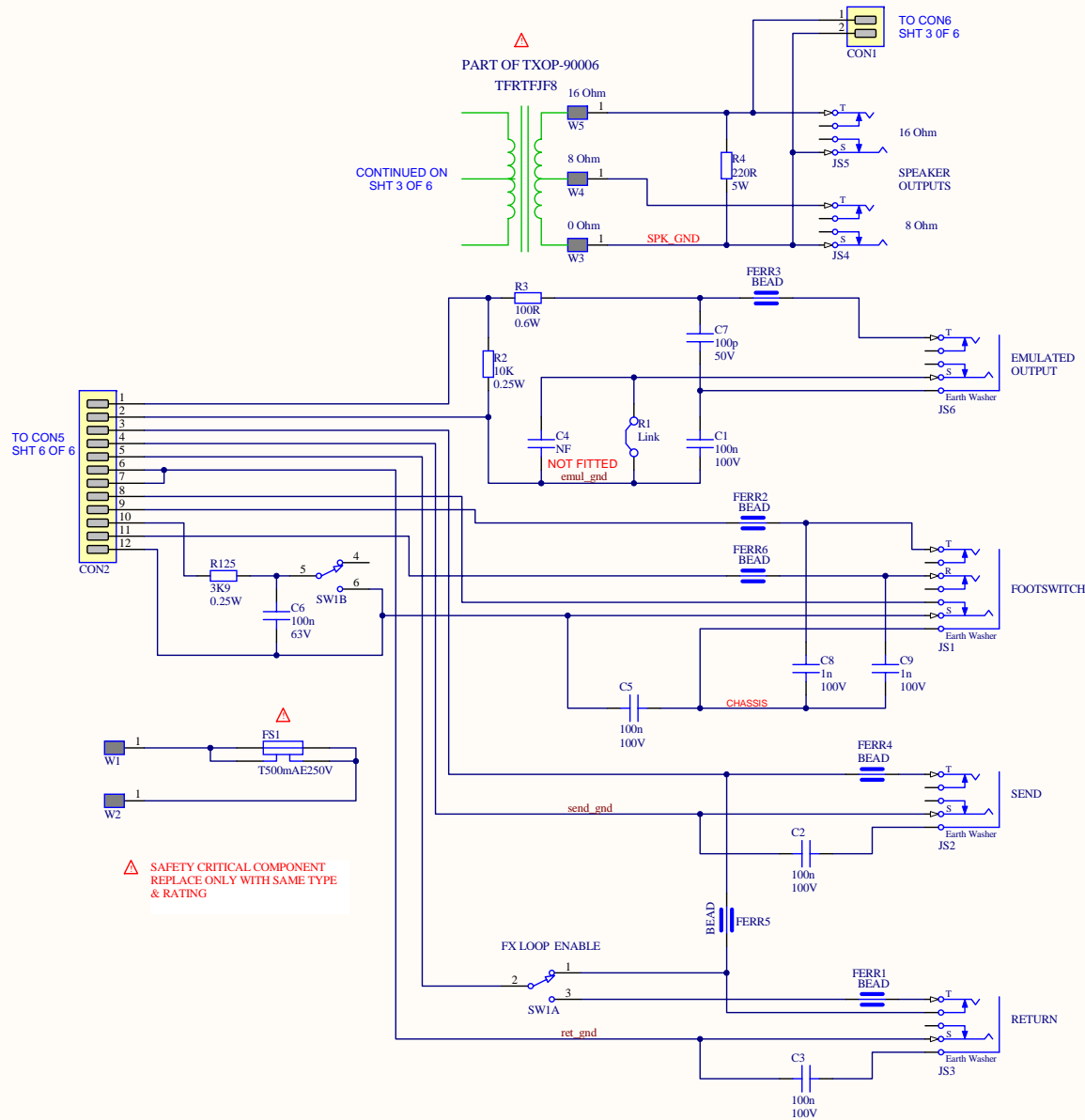


2	3171	06MAY09
ISS	ECO NUMBER	DATE

MATERIAL		DIMENSIONS IN mm	
MATERIAL THICKNESS		TOLERANCE (UNLESS OTHERWISE STATED)	
DRAWN HG	DATE 20FEB08	HOLE DIA = +/-	
CHECKED JL	DATE 06MAY09	DIMENSIONAL = +/-	
APPROVED LV	DATE 06MAY09	MODEL	
		MHZ40C	



TITLE		
POWER AMP		
DWG. No.	ISS	Sheet
MHZ40C-60-02	2	3 of 6
Date: 07/05/2009		



ISS	ECO NUMBER	DATE
2	3171	06MAY09

MATERIAL		DIMENSIONS IN mm	
MATERIAL THICKNESS		TOLERANCE (UNLESS OTHERWISE STATED)	
DRAWN HG	DATE 20FEB08	HOLE DIA = +/- DIMENSIONAL = +/-	
CHECKED JL	DATE 06MAY09	MODEL	
APPROVED LV	DATE 06MAY09	MHZ40C	



TITLE		
REAR PANEL PCB		
DWG. No.	ISS	Sheet
MHZ40C-60-02	2	4 of 6
Date: 07/05/2009		

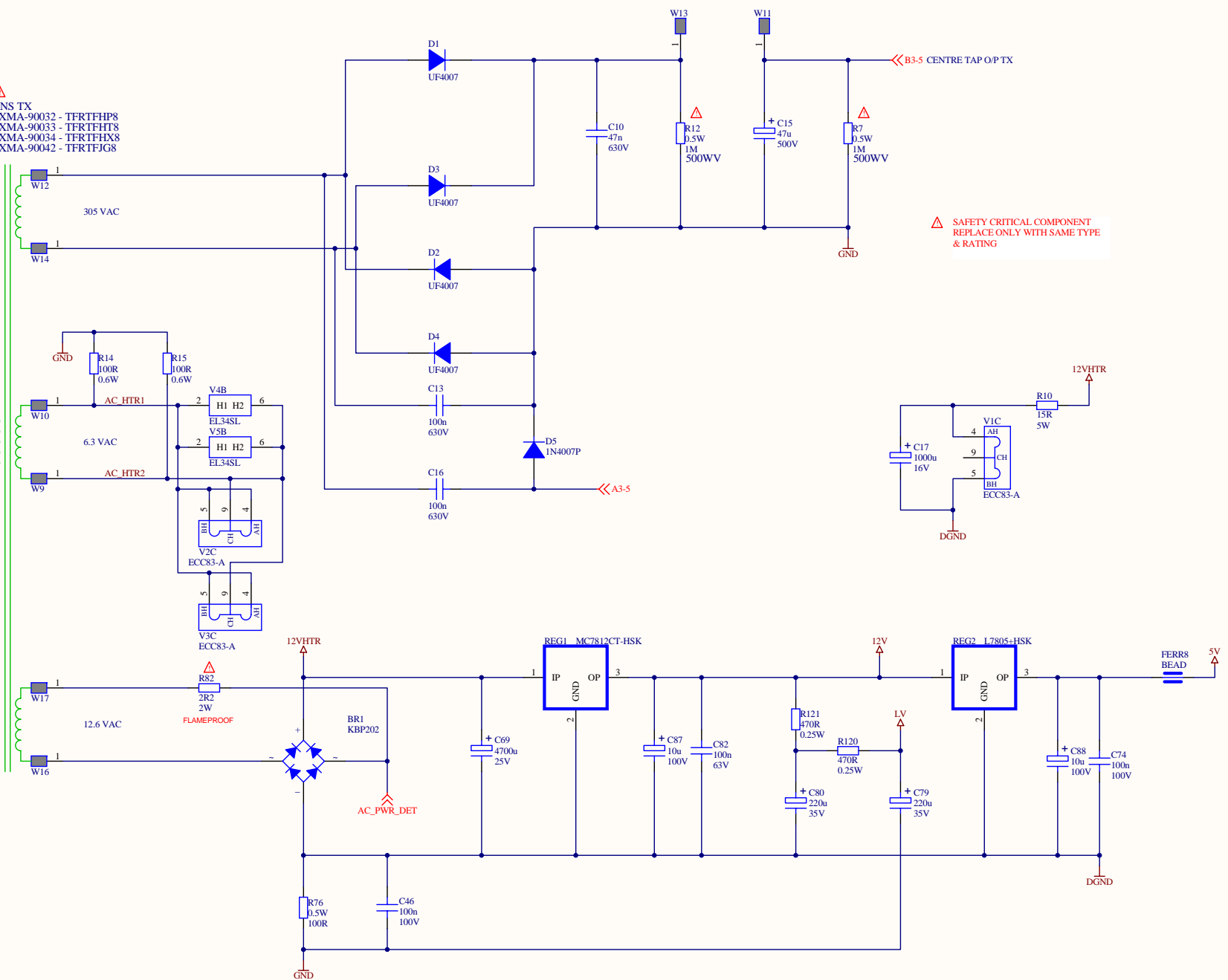
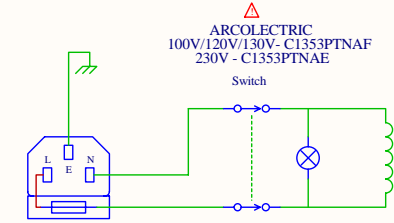
⚠ MAINS TX
 230V - TXMA-90032 - TFR1FHP8
 120V - TXMA-90033 - TFR1FHT8
 100V - TXMA-90034 - TFR1FH8
 130V - TXMA-90042 - TFR1FJG8

⚠ ARCOLECTRIC
 100V/120V/130V - C1353PTNAF
 230V - C1353PTNAE

MAINS I/P
 SCHURTER 6200-4115
 120V-T2AE 250V
 230V-T1AE 250V

⚠ SAFETY CRITICAL COMPONENT
 REPLACE ONLY WITH SAME TYPE
 & RATING

⚠ SAFETY CRITICAL COMPONENT
 REPLACE ONLY WITH SAME TYPE
 & RATING

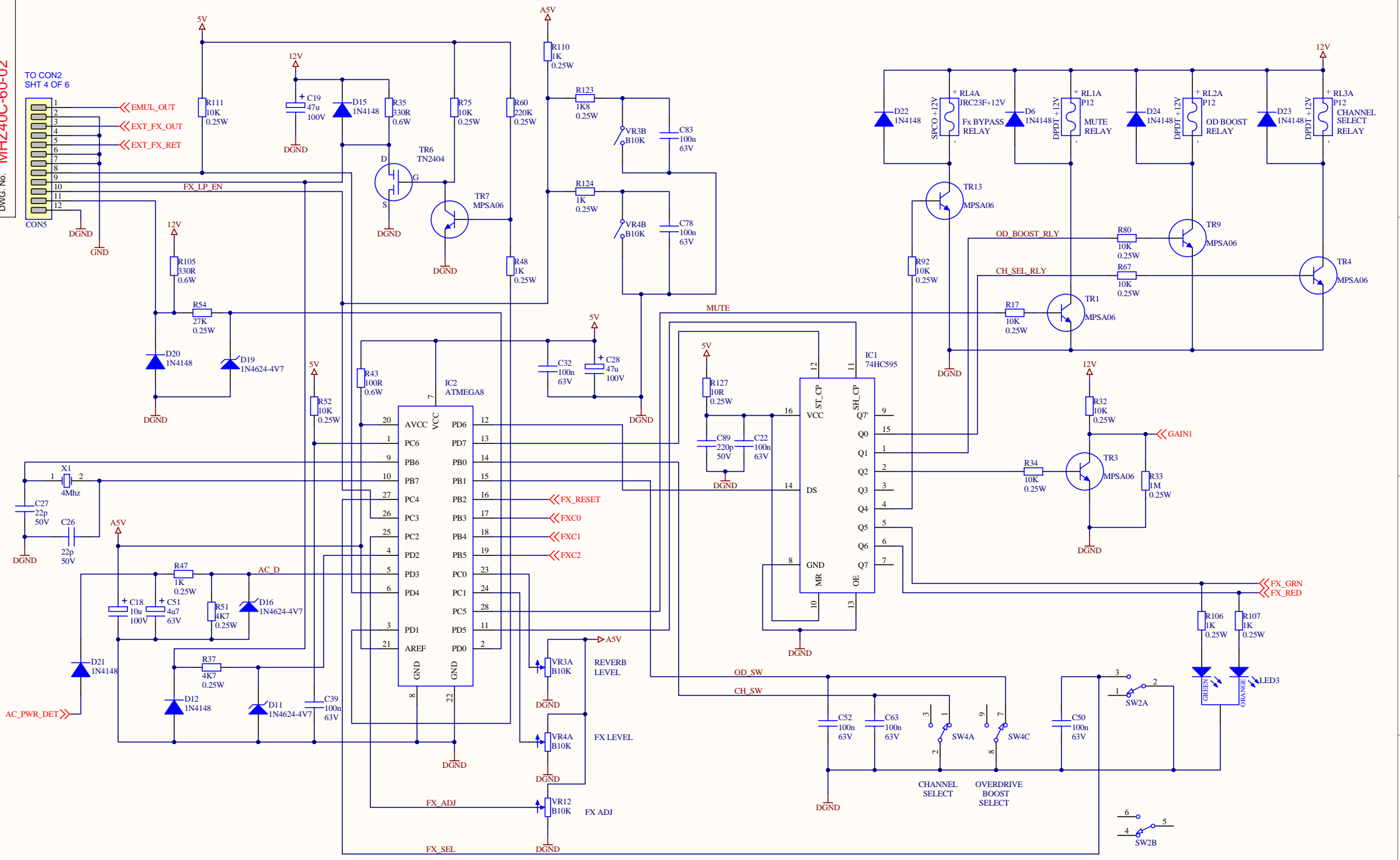


ISS	ECO NUMBER	DATE
2	3171	06MAY09

MATERIAL	DIMENSIONS IN mm
MATERIAL THICKNESS	TOLERANCE (UNLESS OTHERWISE STATED)
DRAWN HG	DATE 20FEB08
CHECKED JL	DATE 06MAY09
APPROVED LV	DATE 06MAY09
	MODEL MHZ40C

MARSHALL AMPLIFICATION PLC
 DENBIGH ROAD, BLETHLEY, MILTON KEYNES, MK1 1DG.
 TEL: (01908) 375411 FAX: (01908) 376118

TITLE POWER SUPPLY		
DWG. No. MHZ40C-60-02	ISS 2	Sheet 5 of 6
Date: 07/05/2009		



ISS	ECO NUMBER	DATE
2	3171	06MAY09

MATERIAL		DIMENSIONS IN mm	
MATERIAL THICKNESS		TOLERANCE (UNLESS OTHERWISE STATED)	
DRAWN HG	DATE 20FEB08	HOLE DIA = +/-	
CHECKED JL	DATE 06MAY09	DIMENSIONAL = +/-	
APPROVED LV	DATE 06MAY09	MODEL	
		MHZ40C	



TITLE		
DIGITAL CIRCUIT DIAGRAM		
DWG. No.	ISS	Sheet
MHZ40C-60-02	2	6 of 6
Date: 07/05/2009		