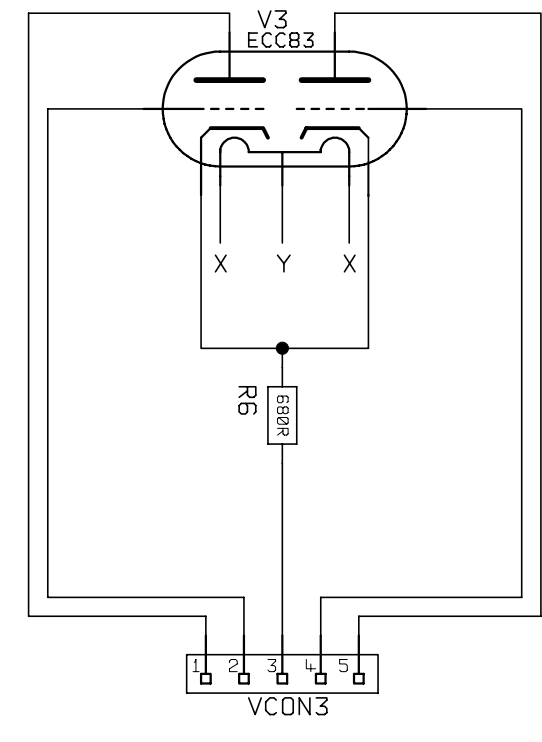
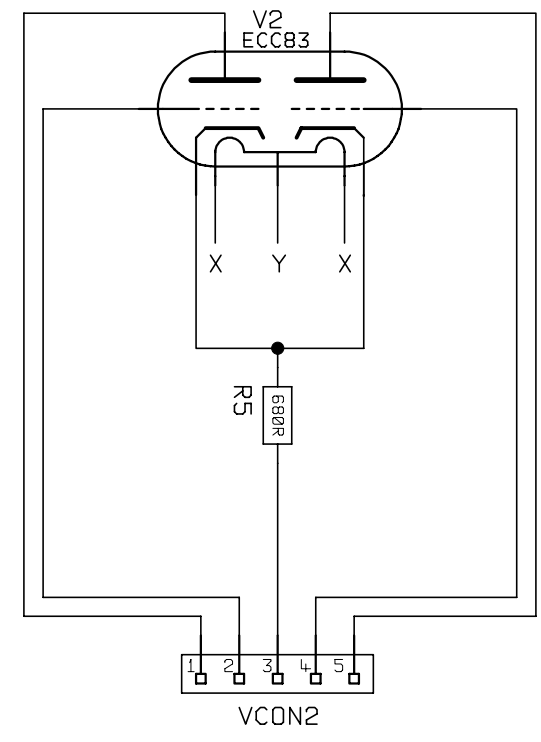
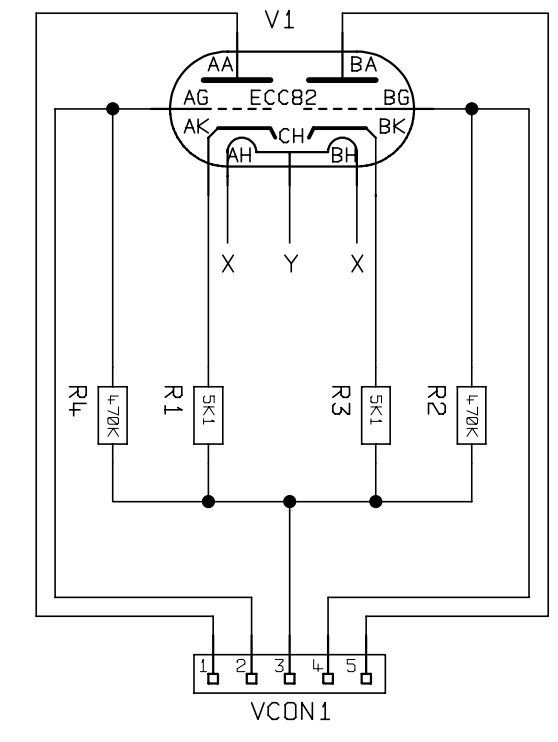
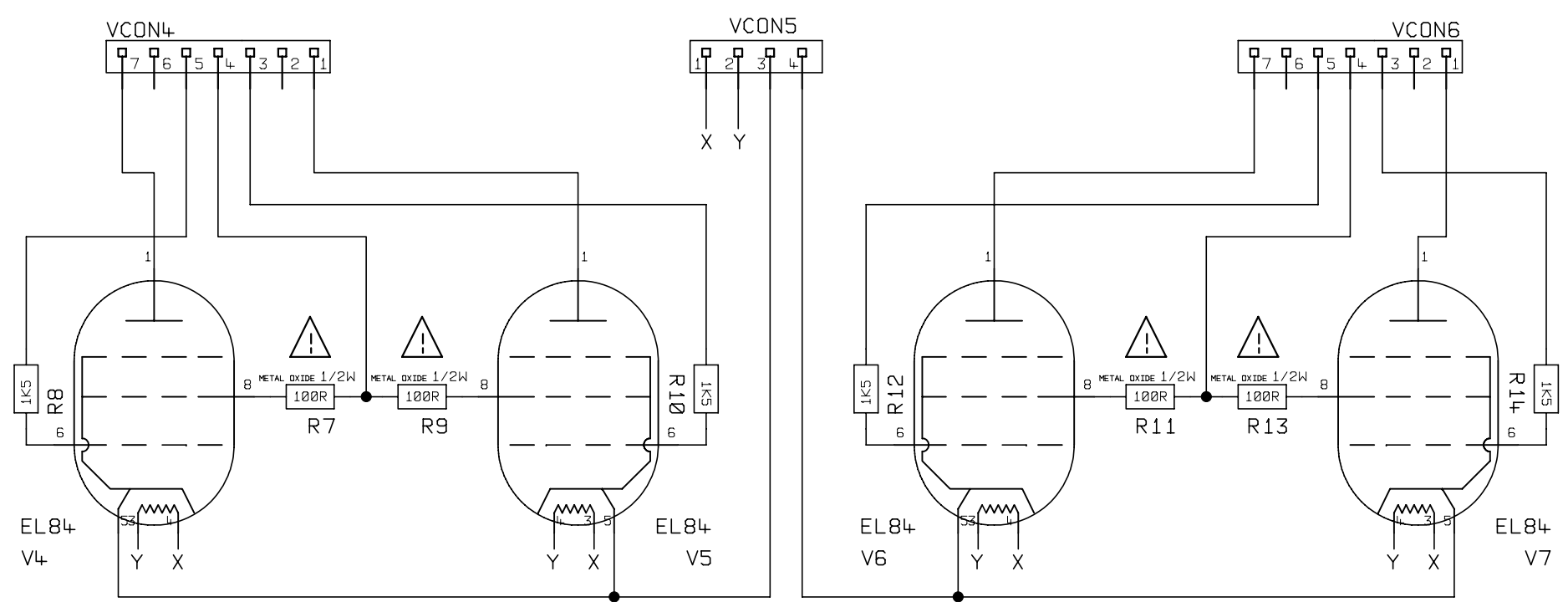



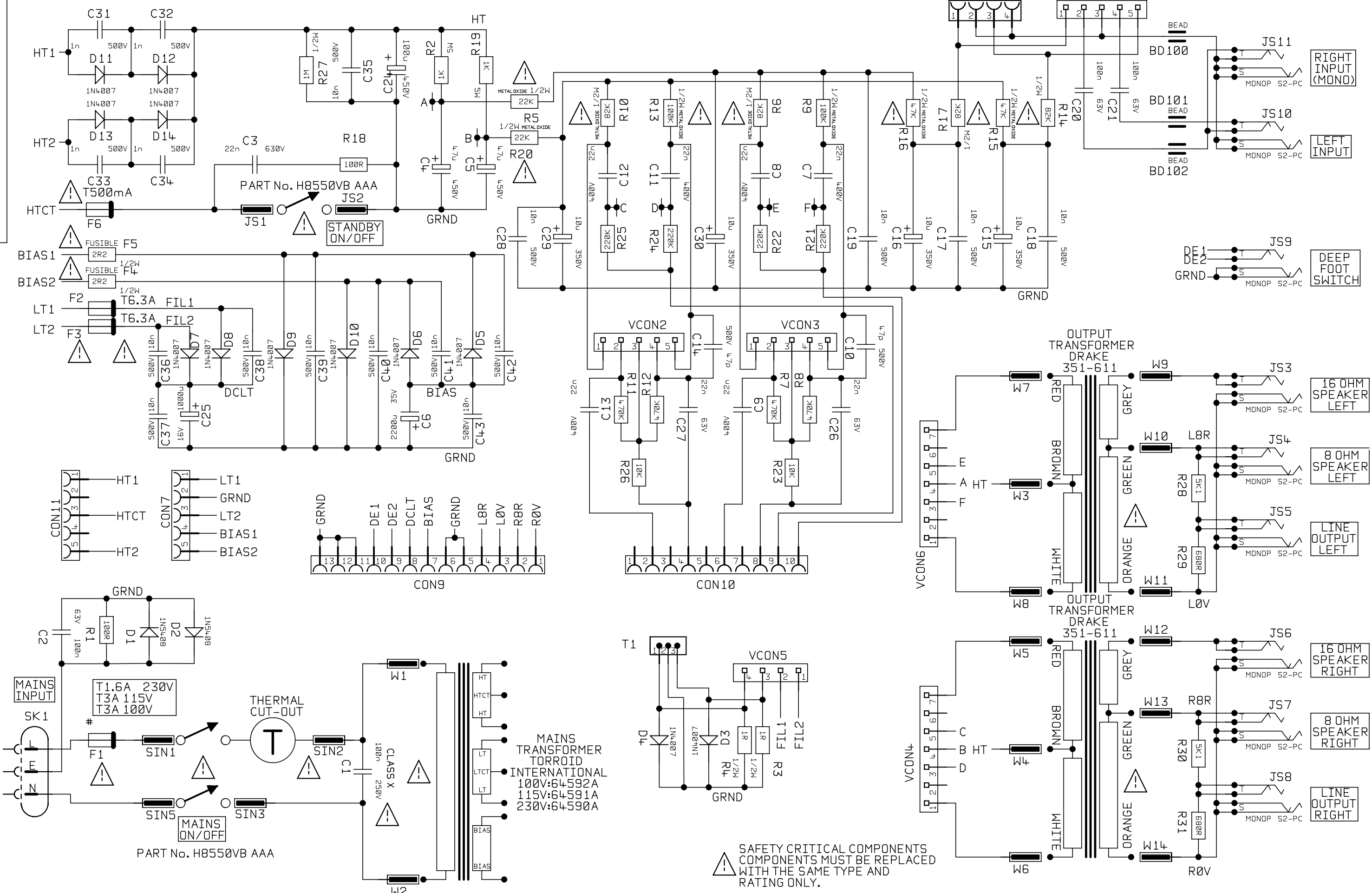
DWG.No. 2020-62-02



ISS		ECO NUMBER	DATE	ALL OTHER HOLES =		X = (THROUGH PLATED)		MATERIAL	DIMENSIONS IN	 <p>© MARSHALL AMPLIFICATION PLC DENBIGH ROAD, BLETCHLEY, MILTON KEYNES, MK1 1DQ. TEL (01908) 375411 FAX (01908) 376118</p>	TITLE	2020 POWER AMPLIFIER
				A	E	J	N	MATERIAL THICKNESS	TOLERANCE (UNLESS UTHWISE STATED)		DWG.No	2020-62-02
				B	F	K	P	DRAWN B.KEIR	DATE 19.09.96		ISS	1
				C	G	L	Q	CHECKED	DATE			
				D	H	M	R	APPROVED	DATE			

DWG.No. 2020-60-02

ignorelayers 24



ALL OTHER HOLES =		X = (THROUGH PLATED)	
A	F	J	N
B	G	K	P
C	H	L	Q
D		M	R

MATERIAL		DIMENSIONS IN	
MATERIAL THICKNESS		TOLERANCE (UNLESS OTHERWISE STATED)	
DRAWN B.KEIR	DATE 11.11.96	MODEL 2020	
CHECKED	DATE		
APPROVED	DATE		



TITLE BACK BOARD		6	
2020 POWER AMPLIFIER			
DWG.No 2020-60-02	ISS 2		

SAFETY CRITICAL COMPONENTS
COMPONENTS MUST BE REPLACED
WITH THE SAME TYPE AND
RATING ONLY.