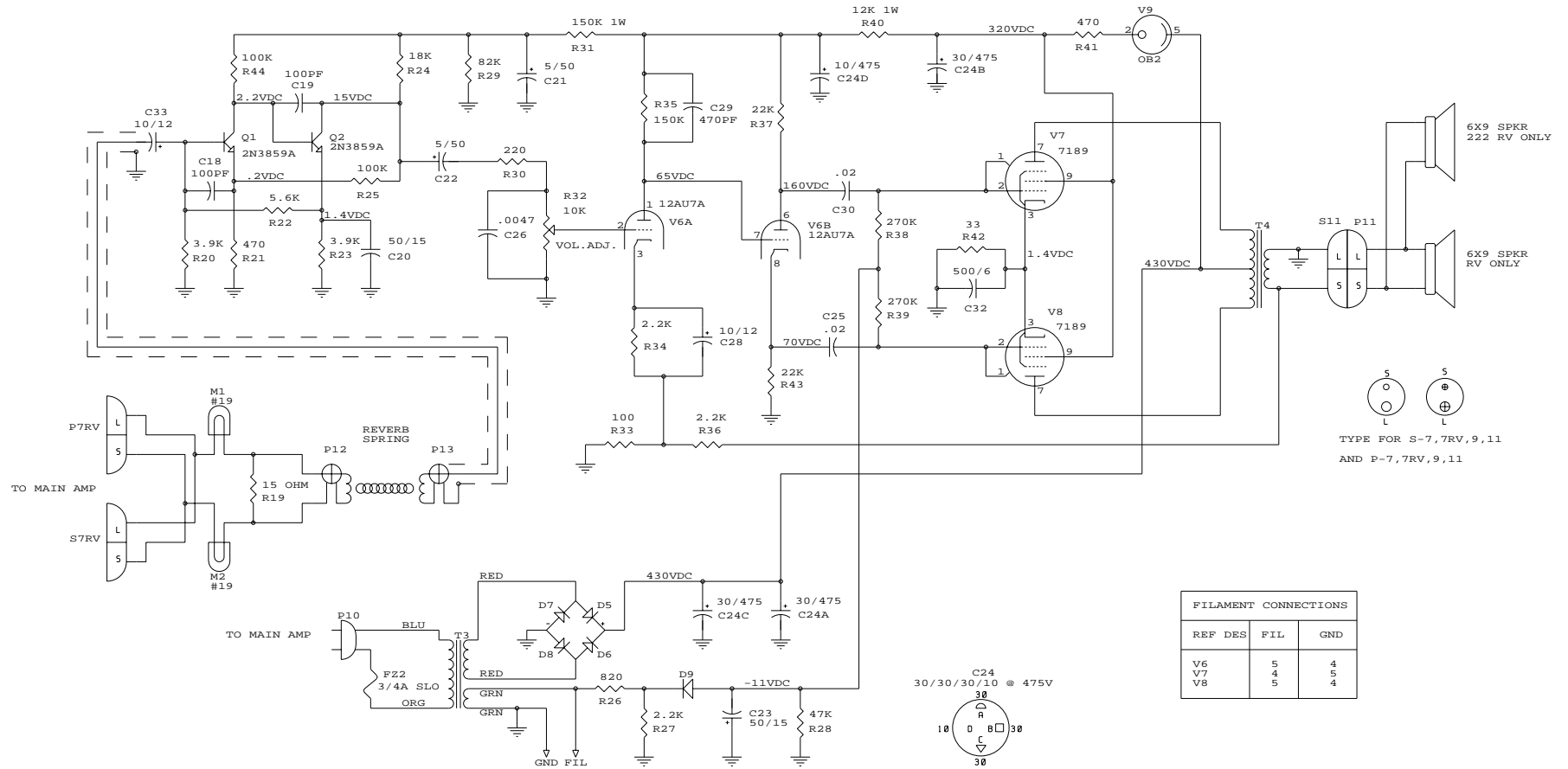
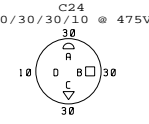


# REVERB AMPLIFIER



TYPE FOR S-7, 7RV, 9, 11  
AND P-7, 7RV, 9, 11

FILAMENT CONNECTIONS			
REF	DES	FIL	GND
V6		5	4
V7		4	5
V8		5	4



Title			
117V TYPE 122 ROTOR AND REVERB AMPLIFIERS			
Size	Document Number		REV
B		-----	1.0
Date:	March 9, 1995	Sheet	2 of 2