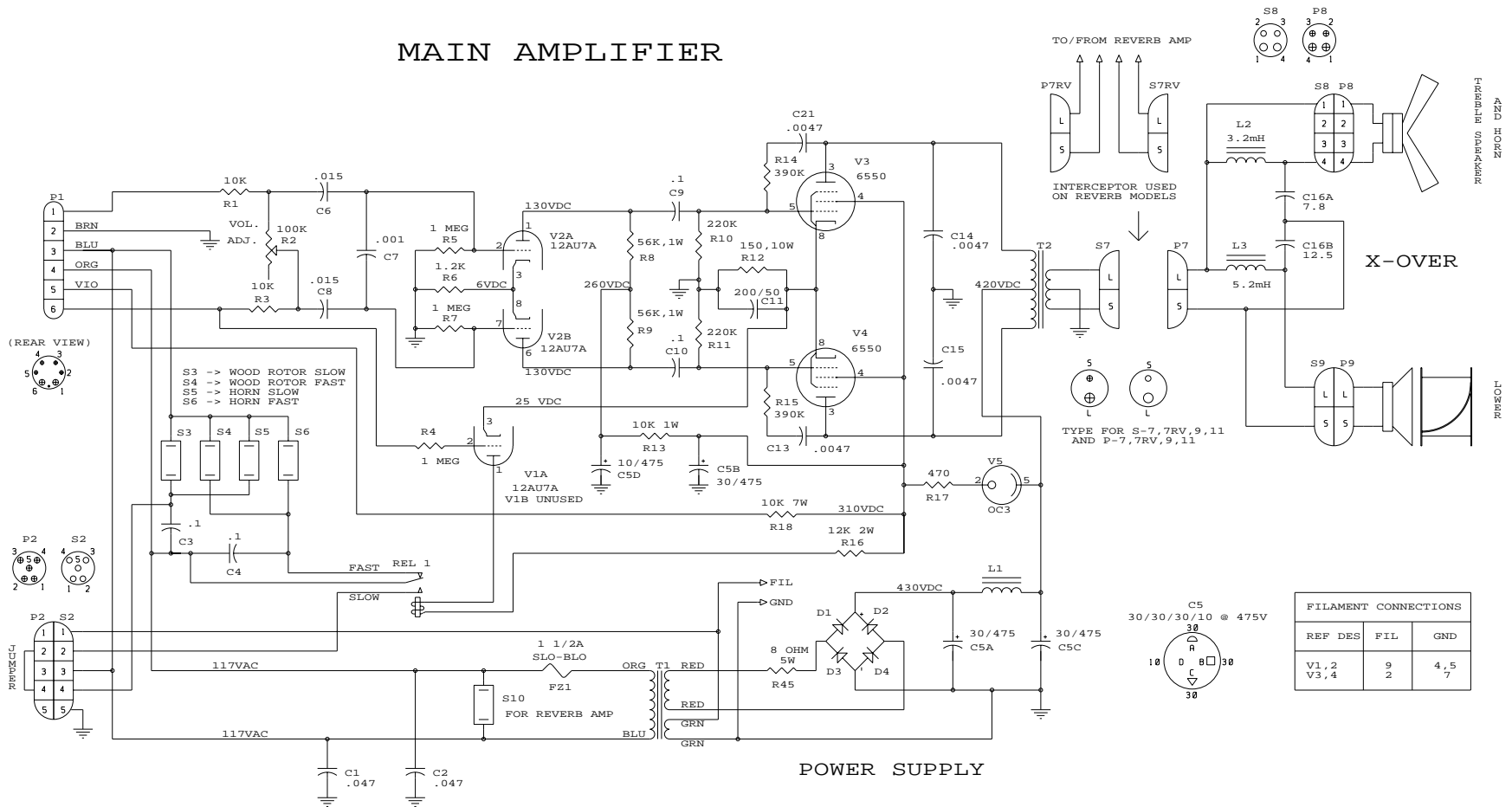
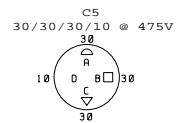


MAIN AMPLIFIER



FILAMENT CONNECTIONS			
REF DES	FIL	GND	
V1, 2	9	4, 5	7
V3, 4	2		



Title		
117V TYPE 122 ROTOR AND REVERB AMPLIFIERS		
Size	Document Number	REV
B	----	1.1
Date:	October 25, 1995	Sheet 1 of 2