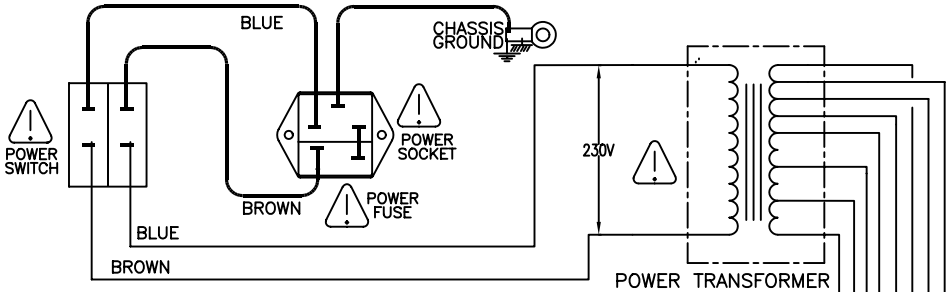
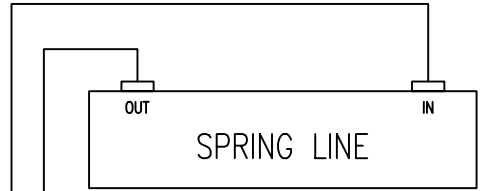
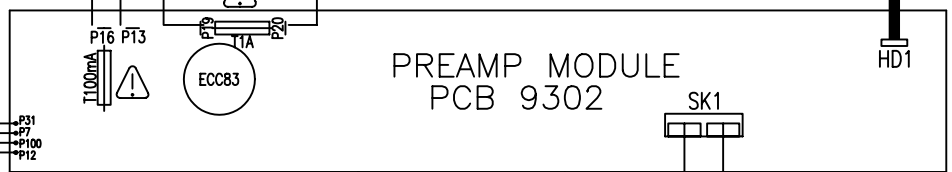
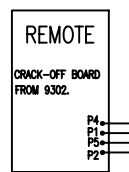
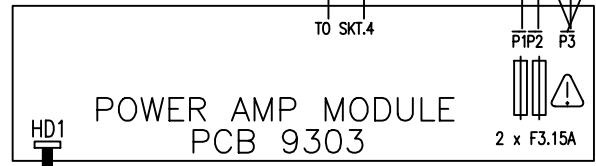
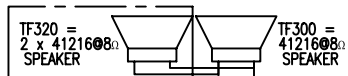
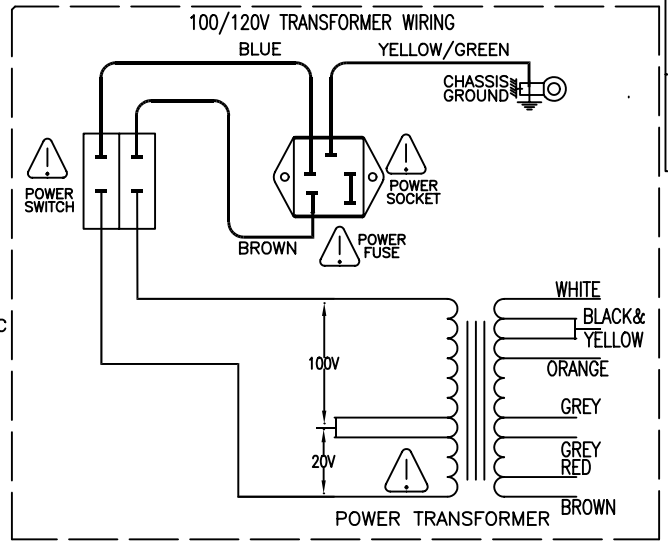


Laney

Service Diagrams



- ⚠ POWER FUSE @ 230V = T2A
- ⚠ POWER FUSE @ 115V = T5A
- ⚠ POWER TRANSFORMER @ 230V = 6132.
- ⚠ POWER TRANSFORMER @ 115V = 6133.



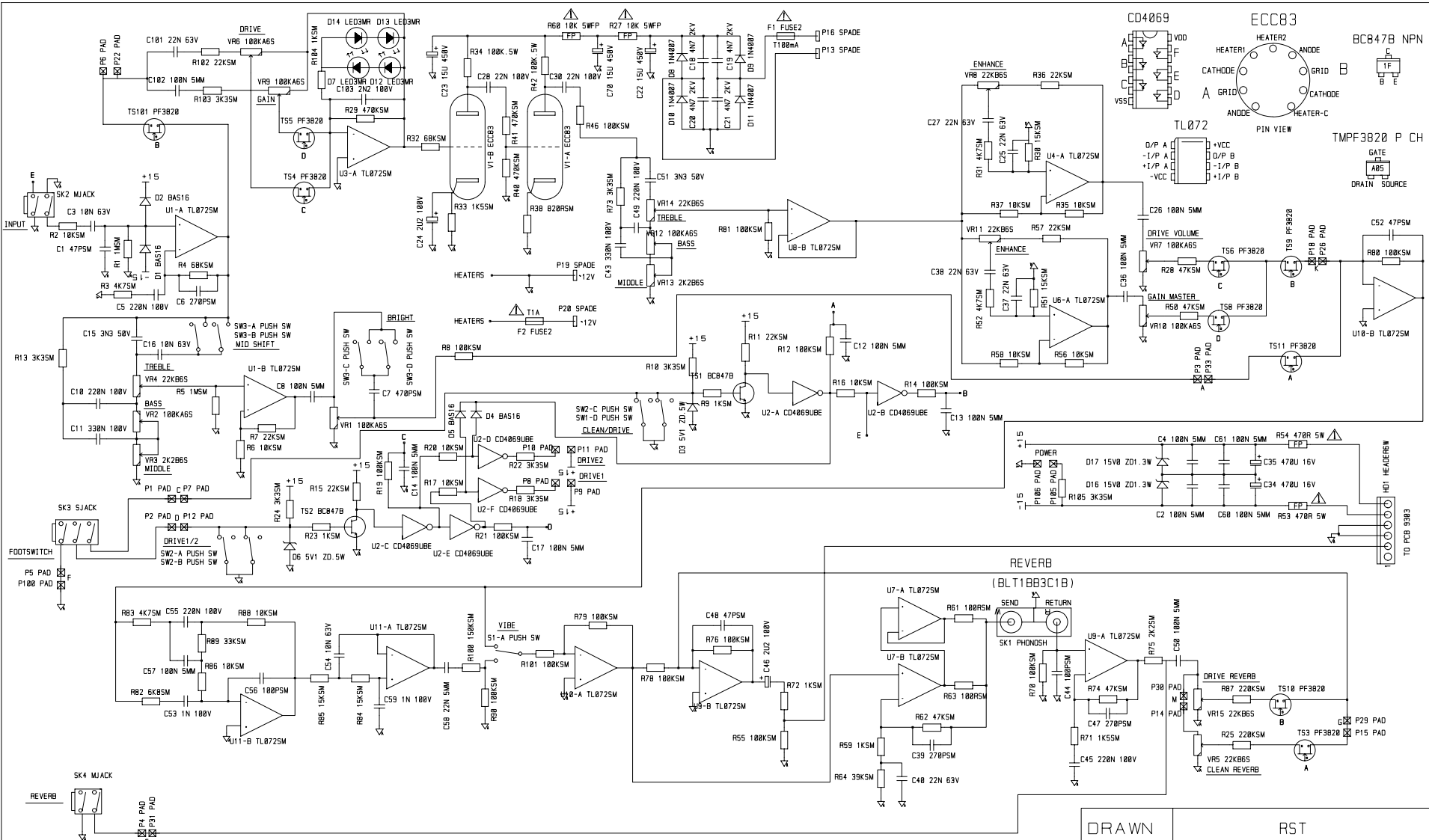
⚠ =ONLY REPLACE WITH SAME TYPE AND RATING

ISSUE	DESCRIPTION	APPD.	DATE

BLT
Industries Ltd.

TITLE
TF300 / TF320 SERVICE
DIAGRAM
PART No

DRAWN	TRACED	CHECKED	APPROVED	DATE
S.L.				29/06/98
DRAWING No.		2836		



▲ INDICATES SAFETY CRITICAL COMPONENT
 MUST ONLY BE REPLACED WITH APPROVED TYPE
 FFP FLAMEPROOF RESISTOR MUST ONLY BE REPLACED WITH SAME TYPE AND RATING

DRAWN RST

DATE 26/3/99

ISSUE BOARD ISSUE 3
02/07/98

ISSUE 3

ISSUE 4

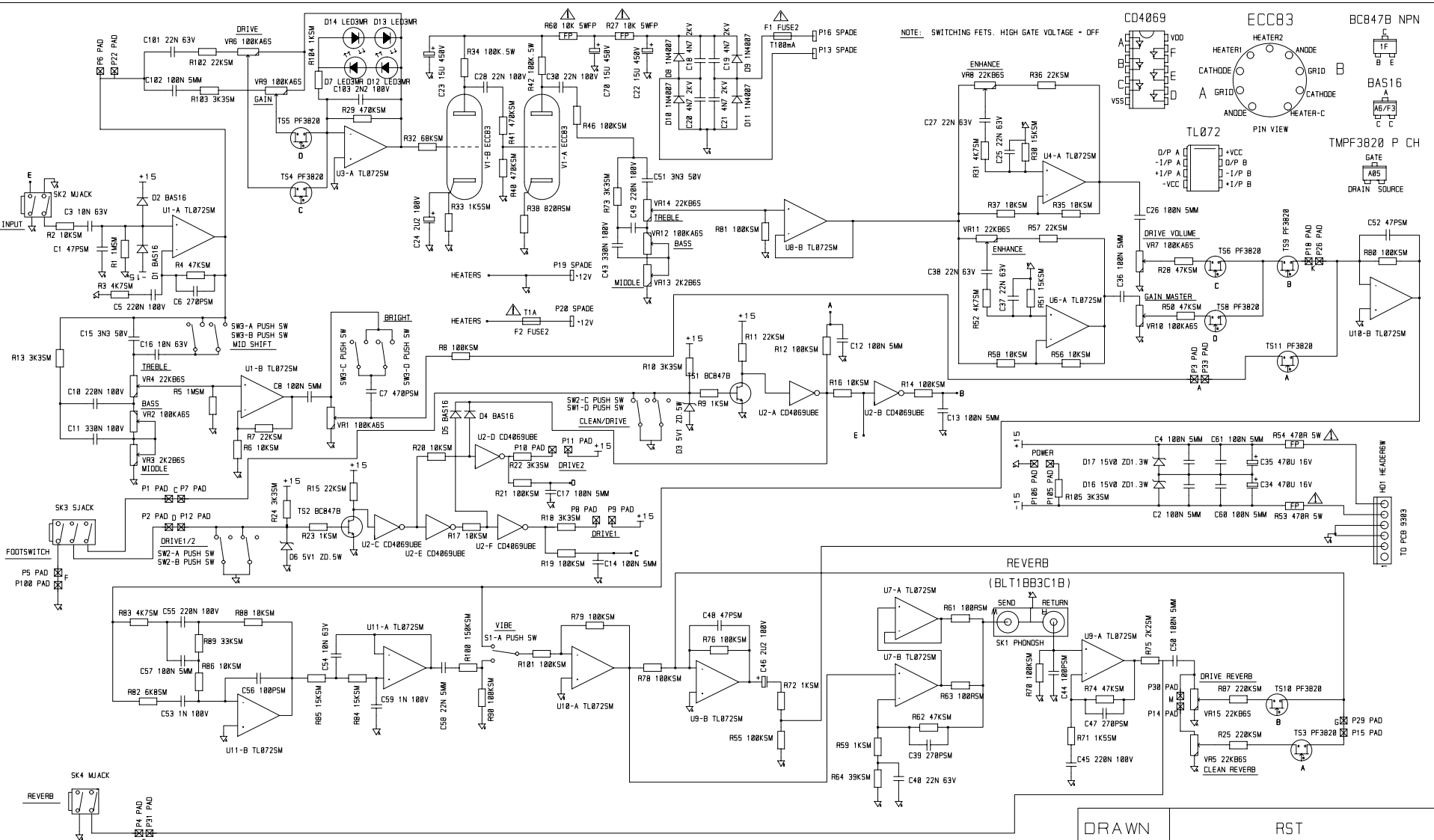
TITLE TUBE FUSION TF300/320/700

TYPE C65 ADDED
PRODUCTION CHANGES
REFER NOTE 163

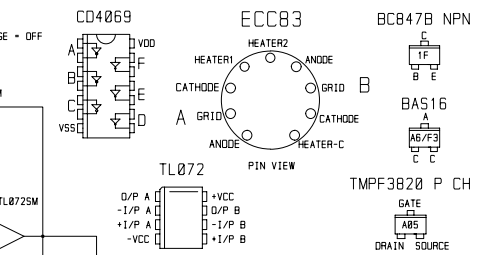
R184 CHANGED FROM 10K TO 1K
SEE CHANGE NOTE 172
27/6/98

TS101 ADDED
REFER TO CHANGE 248
26/3/99

DRW. NO. 9302


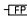


▲ INDICATES SAFETY CRITICAL COMPONENT
 MUST ONLY BE REPLACED WITH APPROVED TYPE
 □FP□ FLAMEPROOF RESISTOR MUST ONLY BE REPLACED WITH SAME TYPE AND RATING

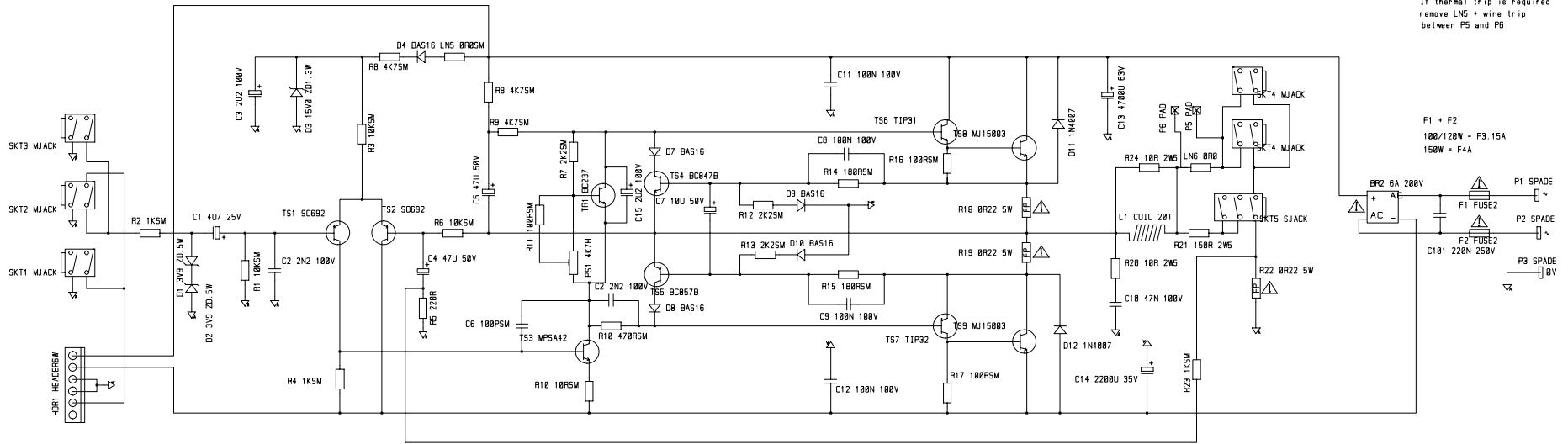


DRAWN	RST
DATE	23/4/99
TITLE	TUBE FUSION TF300/320/700
DRW. NO.	9302_5

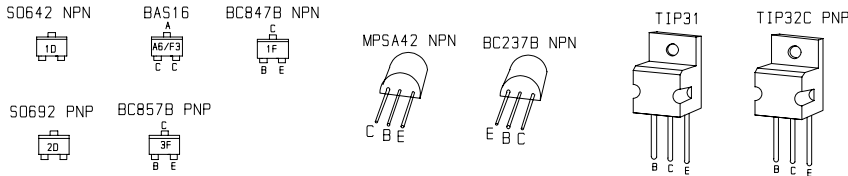
ISSUE	BOARD ISSUE 3 02/07/98	ISSUE 3	ISSUE 4	ISSUE 5
TYPE	C65 ADDED PRODUCTION CHANGES REFER NOTE 163	R104 CHANGED FROM 10K TO 1K SEE CHANGE NOTE 172 27/6/98	NOT RELEASED TO PRODUCTION 26/3/99	DRIVE SWITCHING CHANGED TO ELIMINATE LEAKAGE 23/4/99 R4 FROM 68K TO 47K

 INDICATES SAFETY CRITICAL COMPONENT.
 MUST ONLY BE REPLACED WITH APPROVED COMPONENT.
 FLAMEPROOF RESISTOR.
 MUST ONLY BE REPLACED WITH SAME TYPE AND RATING.

If thermal trip is required
remove LNS + wire trip
between P5 and P6



F1 + F2
 100/120W - F3.15A
 150W - F4A



DRAWN	R. J. F
DATE	11/3/99
TITLE	100-150W OUTPUT MODULE
DRW. NO.	9303_2

ISSUE	30/9/98 ISSUE 2	22/02/99				
TYPE	R5 FROM 100R TO 220R R23 FROM 100R TO 1K SEE CHANGE NOTE 186	R22 from 0r47 to 0r22 5WFP				