

**Normal Led Sequence.**

	(Colour)	(Reason)
1: At switch on:	Red	OK, Warming up
2: After warm up:	Off	OK, No Signal
3: Signal present:	Flashing Blue	OK, Signal Present

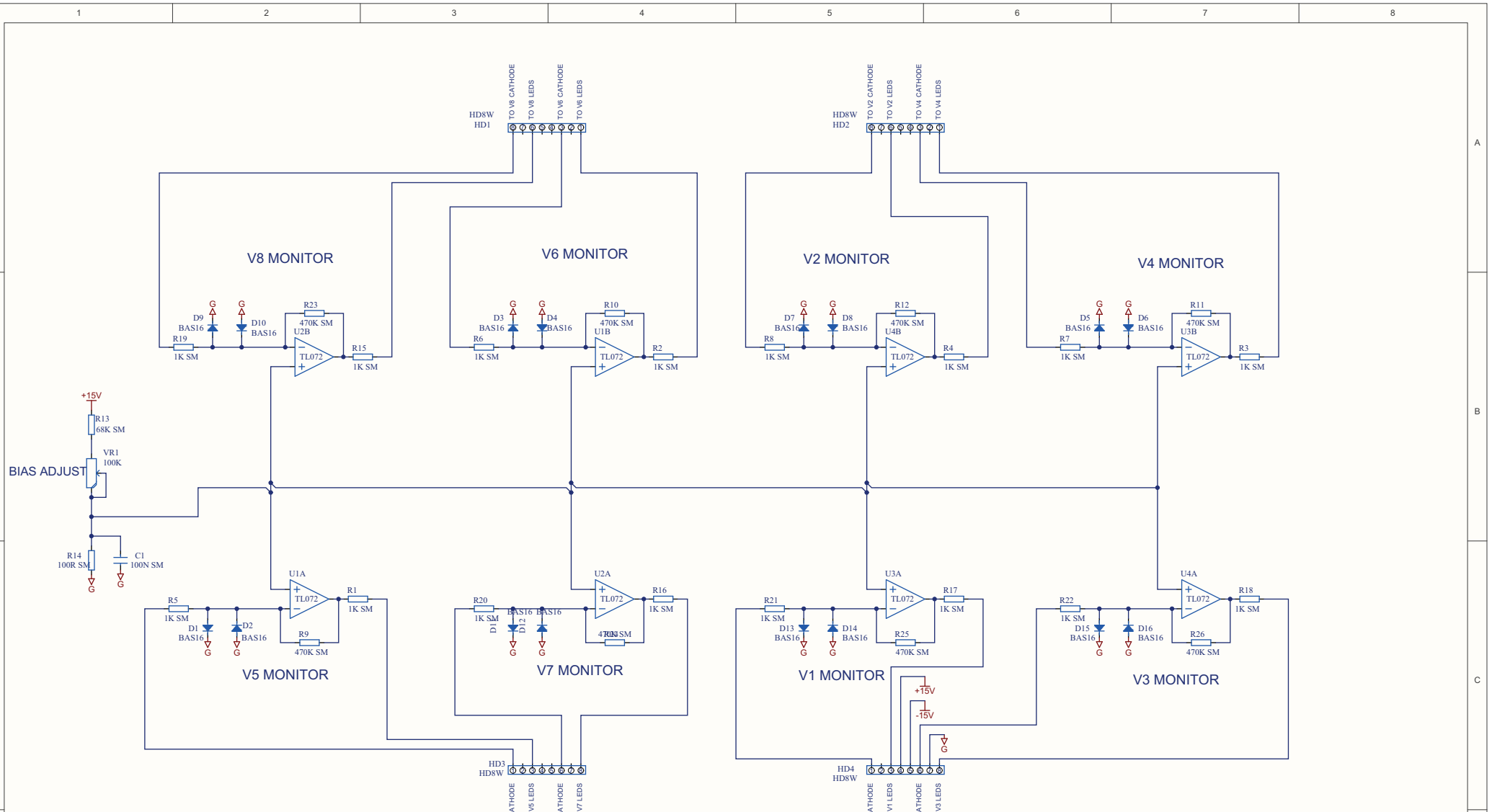
**Fault Conditions.**

1: After warm up:	Red	Faulty tube and/or fuse failure. (If all tubes, bias may be wrongly set)
2: After warm up:	Blue	Faulty tube (If all tubes, bias may be wrongly set)

All capacitors to be 100V minimum rating unless stated otherwise  
 Flame proof resistor  
 Must only be replaced with same type and rating  
 Indicates safety critical component  
 Must only be replaced with approved type

<b>Title: NXT Main Tube Output PCB</b>			Steelpark Road Coombs Wood Industrial Estate West Halesowen UK <a href="http://www.laney.co.uk">www.laney.co.uk</a>
<b>Size: A3</b>	<b>Number: 9418</b>	<b>Revision: 3</b>	
<b>Date: 20/02/2008</b>	<b>Time: 14:31:09</b>	<b>Sheet 1 of 1</b>	
<b>Original File: 9418.SchDoc</b>			

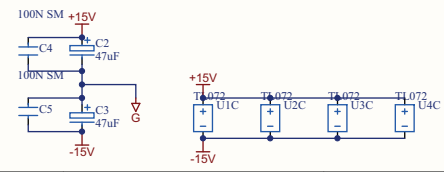




- Normal Led Sequence.**
- 1: At switch on: Red
  - 2: After warm up: Off
  - 3: Signal present: Flashing Blue
- Fault Conditions.**
- 1: After warm up: Red
  - 2: After warm up: Blue
- Faulty tube and/or fuse failure:  
(if all tubes, bias may be wrongly set)
- Faulty tube  
(if all tubes, bias may be wrongly set)

Flame proof resistor  
Must only be replaced with same type and rating

Indicates safety critical component  
Must only be replaced with approved type



Title: NXT Tube Status Monitor		
Size: A3	Number: 9425	Revision: 2
Date: 23/11/2007	Time: 11:20:25	Sheet 1 of 1
Original File: 9425.SchDoc		

Steelpark Road  
Coombs Wood  
Industrial Estate West  
Halesowen  
UK  
www.laney.co.uk

# Laney

POWER TO THE MUSIC