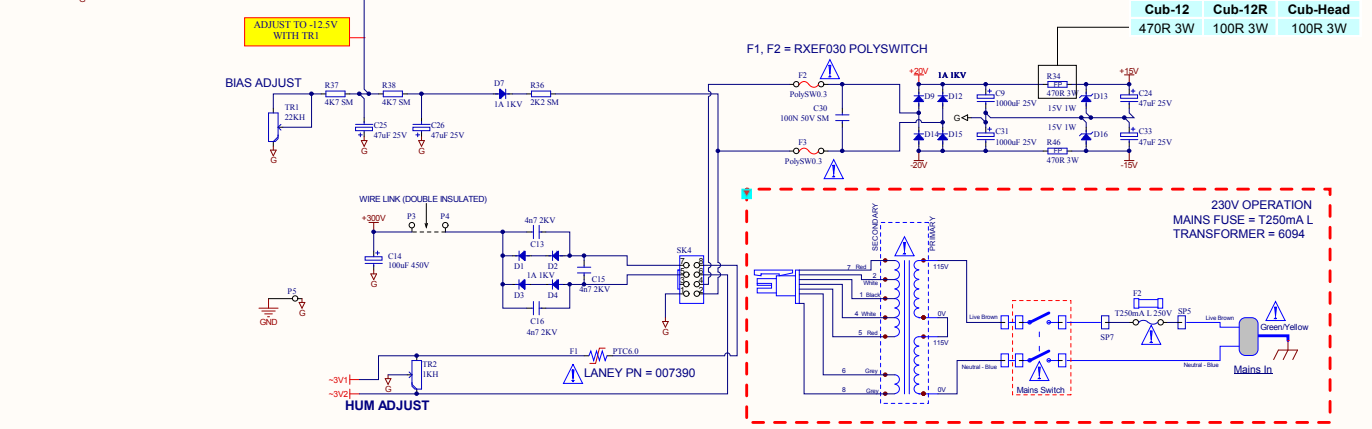
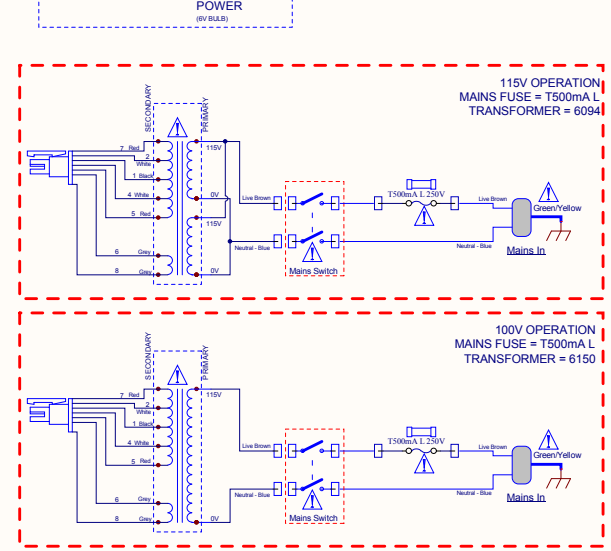
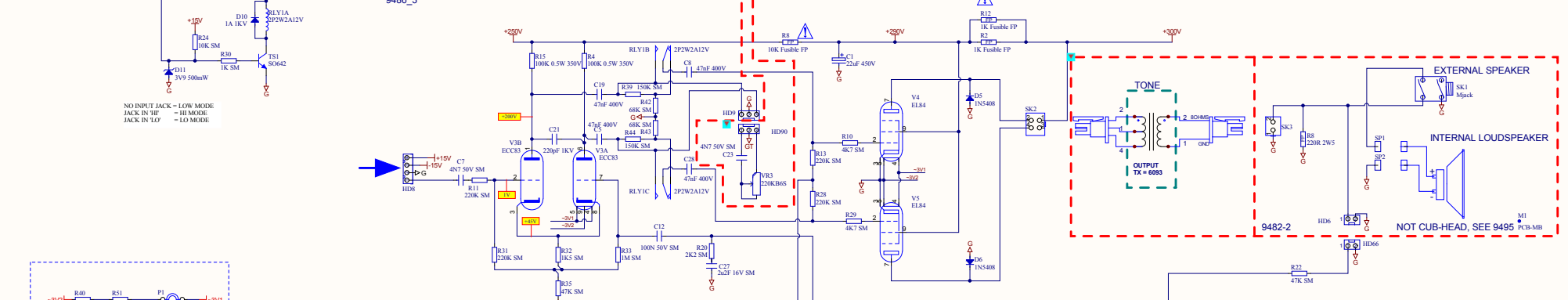
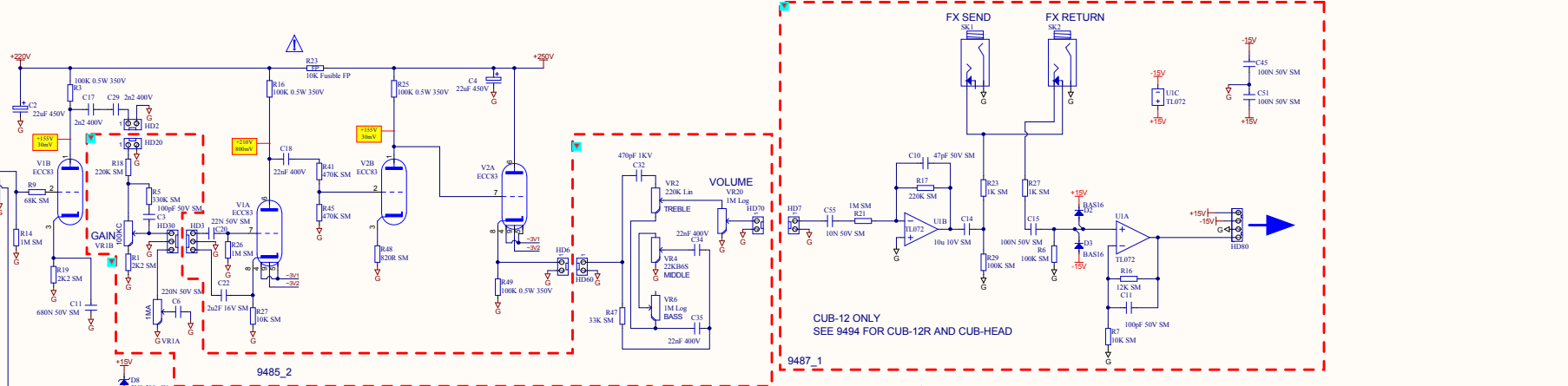
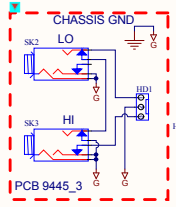


# ***CUB-12R***

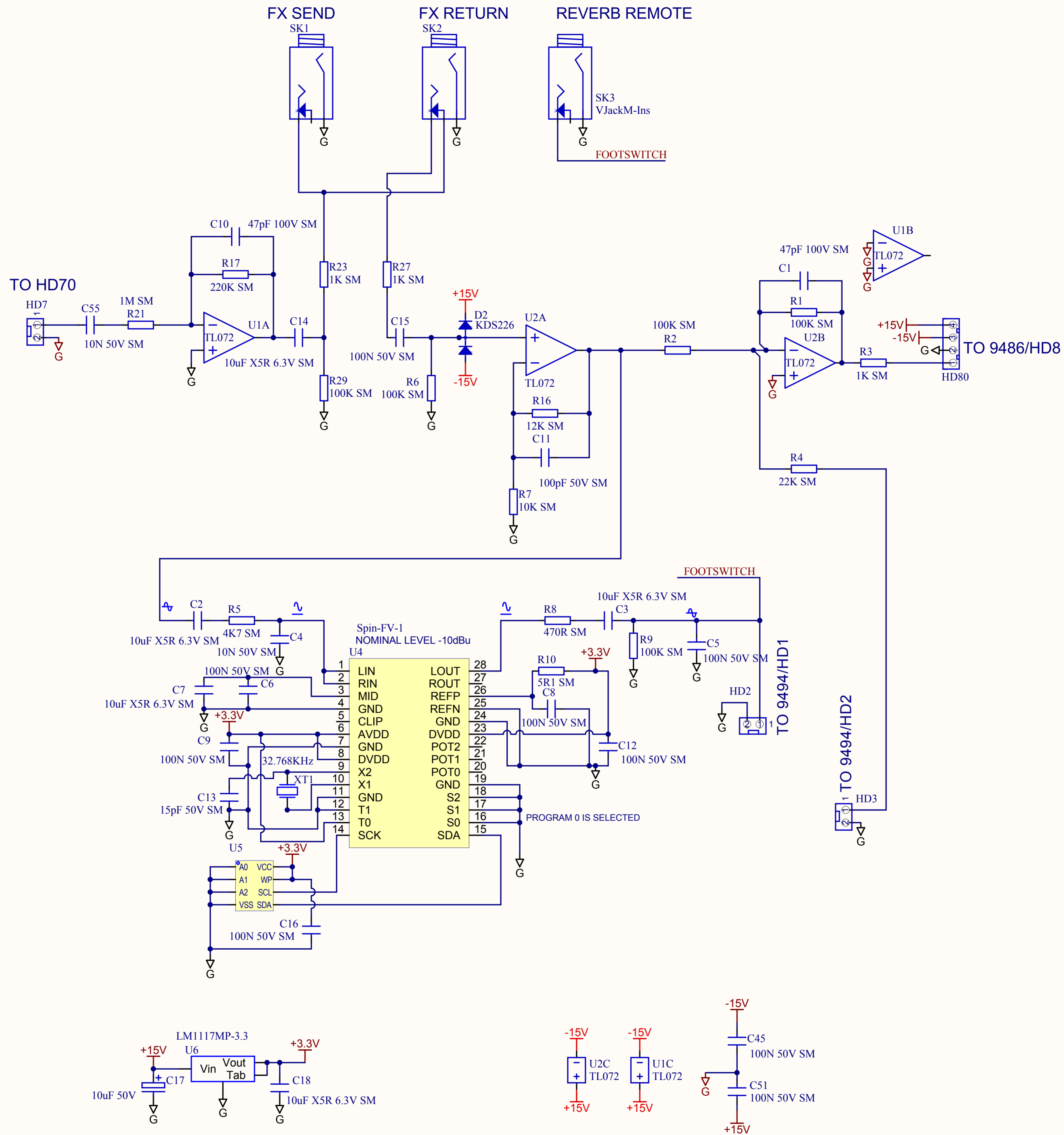
## ***Service Information***

**Laney**  
POWER TO THE MUSIC  
[www.laney.co.uk](http://www.laney.co.uk)

Input Sensitivity: Hi 500mV, Lo 1mV  
Gain: EQ at 10 Volume at 5 Typical levels



Indicates safety critical component  
Must only be replaced with approved type  
FRP = Flame Proof Resistor  
Must only be replaced with same type and rating



|                                       |                |              |
|---------------------------------------|----------------|--------------|
| Title: CUB-12R/HEAD FX LOOP / REV PCB |                |              |
| Size: A3                              | Number: 9493   | Revision: 2  |
| Date: 16/02/2010                      | Time: 15:30:21 | Sheet 1 of 1 |
| Original File: 9493.SchDoc            |                |              |

Steelpark Road  
 Coombs Wood  
 Industrial Estate West  
 Halesowen  
 UK  
[www.laney.co.uk](http://www.laney.co.uk)



**CUB-12R SPARE PARTS LIST**



| Model No.<br><b>CUB-12R (2010)</b> |   |  |  |                     |   |
|------------------------------------|---|--|--|---------------------|---|
| SPARES ITEM                        | DESCRIPTION   |  |  | ty. in Chassis Assy |   |
| Transformers                       | 100V  | 6150 15W Tube Mains Transformer 100V     |  | 006150              | 1 |
|                                    | 120V  | 6094 15W Tube Mains Transformer 115/230V |  | 006094              | 1 |
|                                    | 230V  | 6094 15W Tube Mains Transformer 115/230V |  | 006094              | 1 |
|                                    | O/P   | 15W Tube Output Transformer              |  | 006093              | 1 |
| Switch                             | Power   | R13-428 DPST Toggle Switch               |  | 007658              | 1 |
|                                    | Lamp  | Red Jewel Bulb Holder                    |  | 007684              | 1 |
| Wiring Looms                       | 4 Way Ribbon Loom 150mm                                     |  |  | 007498              | 1 |
|                                    | 3 Way Ribbon Cable 150mm                                    |  |  | 007706              | 1 |
|                                    | 3 Way Screened Loom 300mm                                   |  |  | 007757              | 1 |
|                                    | 3 Way Screened Loom 200mm                                   |  |  | 007519              | 1 |
|                                    | 2 Way Screened Loom 125mm                                   |  |  | 007977              | 1 |
|                                    | 2 Way Screened Loom 200mm                                   |  |  | 007518              | 3 |
|                                    | 2 Way Screened Loom 250mm                                   |  |  | 007491              | 2 |
| PCB s                              | 9482 - Cub-Range 2010 Speaker Output PCB Complete           |  |  | 007687              | 1 |
|                                    | 6.3 Horizontal Jack Socket-Mono                             |  |  | 005002              | 1 |
|                                    | 9445 - Dual Input Jack PCB Complete                         |  |  | 007751              | 1 |
|                                    | 6.3 Vert Phone Jack Stereo Gold Plated - Non Insulated Body |  |  | 007591              | 2 |
|                                    | 9485 - Cub-12 2010 Fascia Control PCB Complete              |  |  | 007763              | 1 |
|                                    | VR1   | Gain                                     | 1M / 100K Antilog Dual 6mm Spline (A1M Front/C100K Back) | 004116              | 1 |
|                                    | VR2   | Treble                                   | 220K Lin Pot 6mm Spline                                  | 004065              | 1 |
|                                    | VR3   | Tone                                     | 220K Lin Pot 6mm Spline                                  | 004065              | 1 |
|                                    |   |  | Bracket  | 005127              | 1 |
|                                    | VR4   | Mid                                      | 22K Lin Pot 6mm Spline                                   | 004061              | 1 |
|                                    | VR6   | Bass                                     | 1M Log Pot 6mm Spline                                    | 004070              | 1 |
|                                    | VR20  | Volume                                   | 1M Log Pot 6mm Spline                                    | 004070              | 1 |
|                                    | 9486 - Cub-12/R/Head 2010 Tube / PSU PCB Complete           |  |  | 007764              | 1 |
|                                    | 1000uF 25V Radial Electrolytic Capacitor                    |  |  | 002009              | 2 |
|                                    | 100 F 450V Radial Electrolytic Capacitor                    |  |  | 002030              | 1 |
|                                    | 22 F 450V Radial Electrolytic Capacitor                     |  |  | 007204              | 3 |
|                                    | 220R 2.5W Cement Wire Wound Resistor                        |  |  | 001501              | 2 |
|                                    | 0.3A Poly Switch JK60-030                                   |  |  | 007603              | 2 |
|                                    | DPCO 2A 12V DC Relay Omron G5V-2-H1                         |  |  | 007205              | 1 |
|                                    | 9493 - Cub-12R FX Loop + Digital Reverb PCB Complete        |  |  | 007767              | 1 |
|                                    | 6.3mm Jack Socket Vertical (Mono, Gold, Insulated Body)     |  |  | 007374              | 2 |
|                                    | 6.3mm Jack Socket Vertical (Mono, Insulated Body)           |  |  | 007527              | 1 |
|                                    | 9494 - Cub-12R/Head Reverb Pot PCB Complete                 |  |  | 007768              | 1 |
| VR1                                | Reverb  | 220K Log Pot 6mm Spline                  | 004078   | 1                   |   |
|                                    |   | Bracket                                  | 005127   | 1                   |   |
| Tubes Bases                        | Preamp  | ECC83 Tube                               |  | 005550              | 3 |
|                                    |   | B9A Valve Base PCB Mount                 |  | 007531              | 3 |
|                                    | O/P   | EL84 Tube                                |  | 005563              | 2 |
|                                    |   | Octal Valve Base PCB Mount               |  | 007551              | 2 |
| Cabinet                            | Cub-12/R 2010 covered cabinet (NO Fittings)                 |  |  | 007758              | 1 |
|                                    | Cub-12/R 2010 Covered Baffle                                |  |  | 007759              | 1 |
|                                    | Medium White Chicken Head Knob (Spline)                     |  |  | 007208              | 6 |
|                                    | Cub-12R 2010 Painted Printed Fascia Metalwork               |  |  | 007771              | 1 |
|                                    | Rubber Handle Clips Assembly. Drg Ref: 4203                 |  |  | 007693              | 1 |
|                                    | Cub-12/R 2010 Rear Grille. Drg Ref: 4248                    |  |  | 007766              | 1 |
|                                    | Laney Badge (Plastic) (Standard Font) 116mm Drg Ref:4169    |  |  | 007725              | 1 |
|                                    | 90 degree Plastic Corner (Front) 35mm                       |  |  | 010052              | 4 |
|                                    | 90 degree Plastic Corner (Rear) 35mm                        |  |  | 010053              | 4 |
|                                    | Rocket 50 8 Ohm   |  |  | 51204               | 1 |
|                                    | 38mm X 15mm Rubber Foot with Steel Insert                   |  |  | 007473              | 4 |
|                                    | Cub-12/R 2010 Tilt Mechanism Drg Ref:4293                   |  |  | 007772              | 1 |
|                                    | Cub-12/R 2010 Carton  |  |  | 007761              | 1 |
|                                    | Cub-12R 2010 User Manual                                    |  |  | 007763              | 1 |