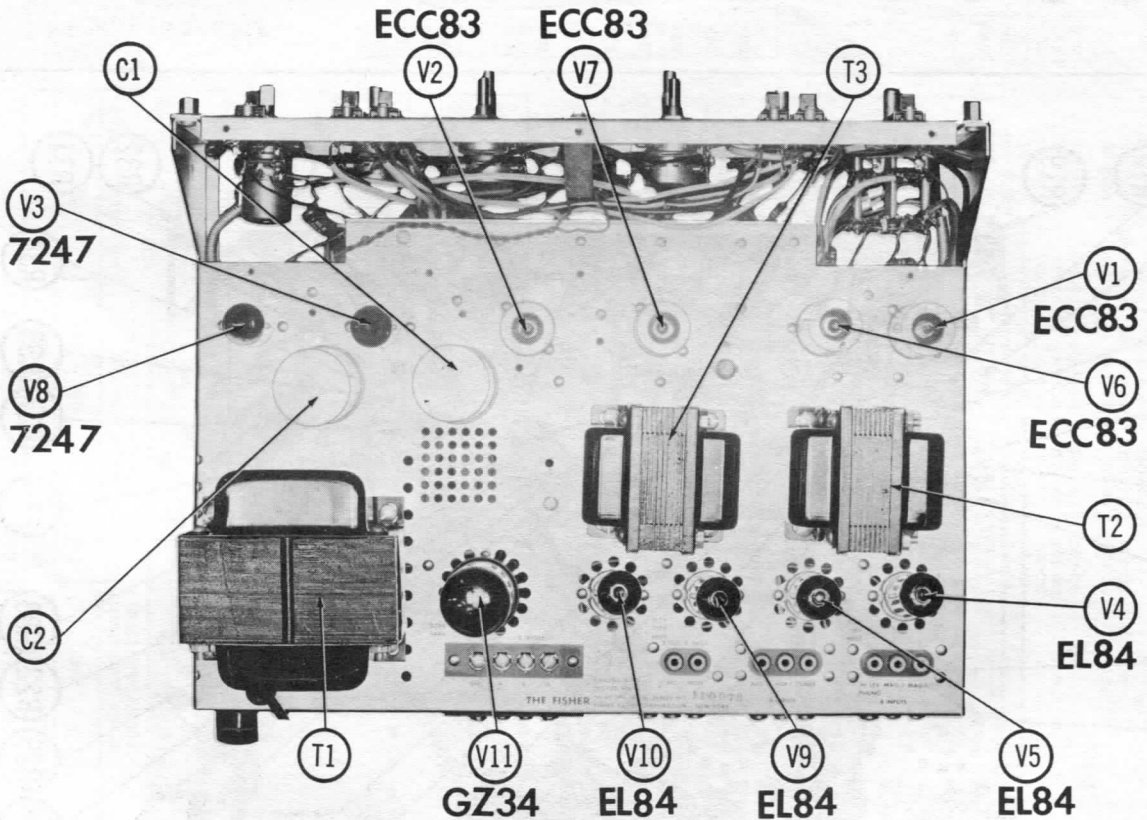




FISHER MODEL
X-100

TRADE NAME	Fisher Model X-100 (Serial #10001-19999 Inclusive)		
MANUFACTURER	Fisher Radio Corp., 21-21 44th Drive, Long Island City 1, N. Y.		
TYPE SET	AC Operated 11 Tube Stereo Amplifier		
POWER SUPPLY	105-120 Volts AC, 50-60 Cycles	RATING	135 Watts, 1.2 Amp. @ 117 Volts AC

FISHER MODEL
X-100

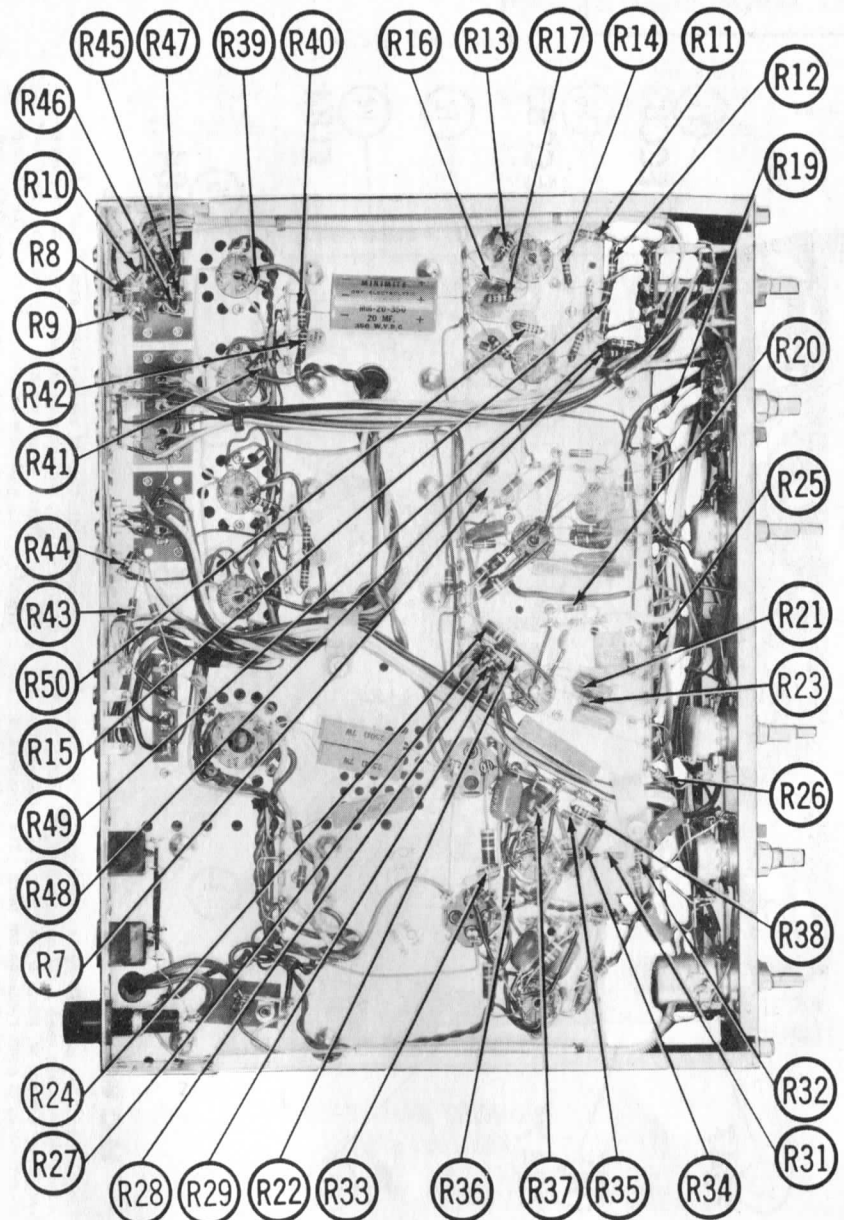


HOWARD W. SAMS & CO., INC. Indianapolis 6, Indiana

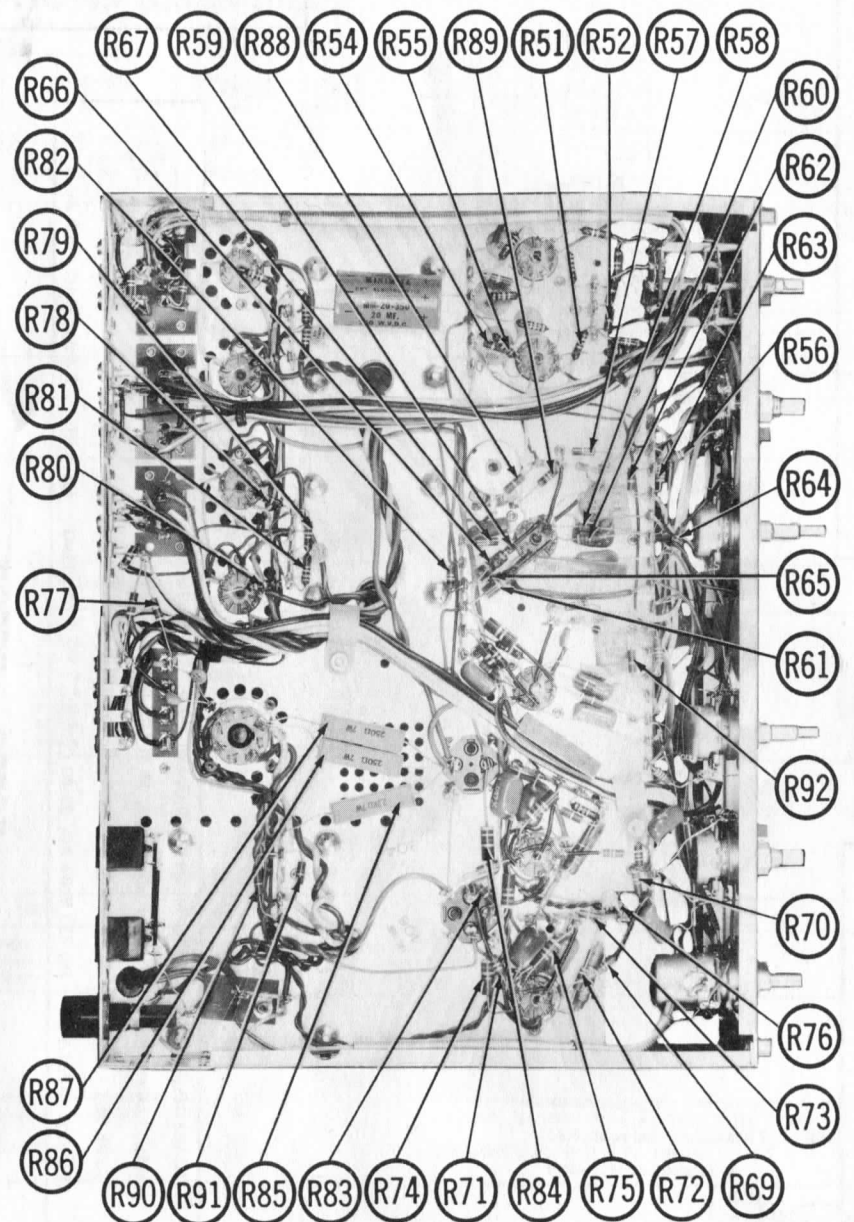
The listing of any available replacement part herein does not constitute in any case a recommendation, warranty or guaranty by Howard W. Sams & Co., Inc., as to the quality and suitability of such replacement part. The numbers of these parts have been compiled from information furnished to Howard W. Sams & Co., Inc., by the manufacturers of KV372

the particular type of replacement part listed. Reproduction or use, without express permission, of editorial or pictorial content, in any manner, is prohibited. No patent liability is assumed with respect to the use of the information contained herein. © 1961 Howard W. Sams & Co., Inc., Indianapolis 6, Indiana. Printed in U.S. of America

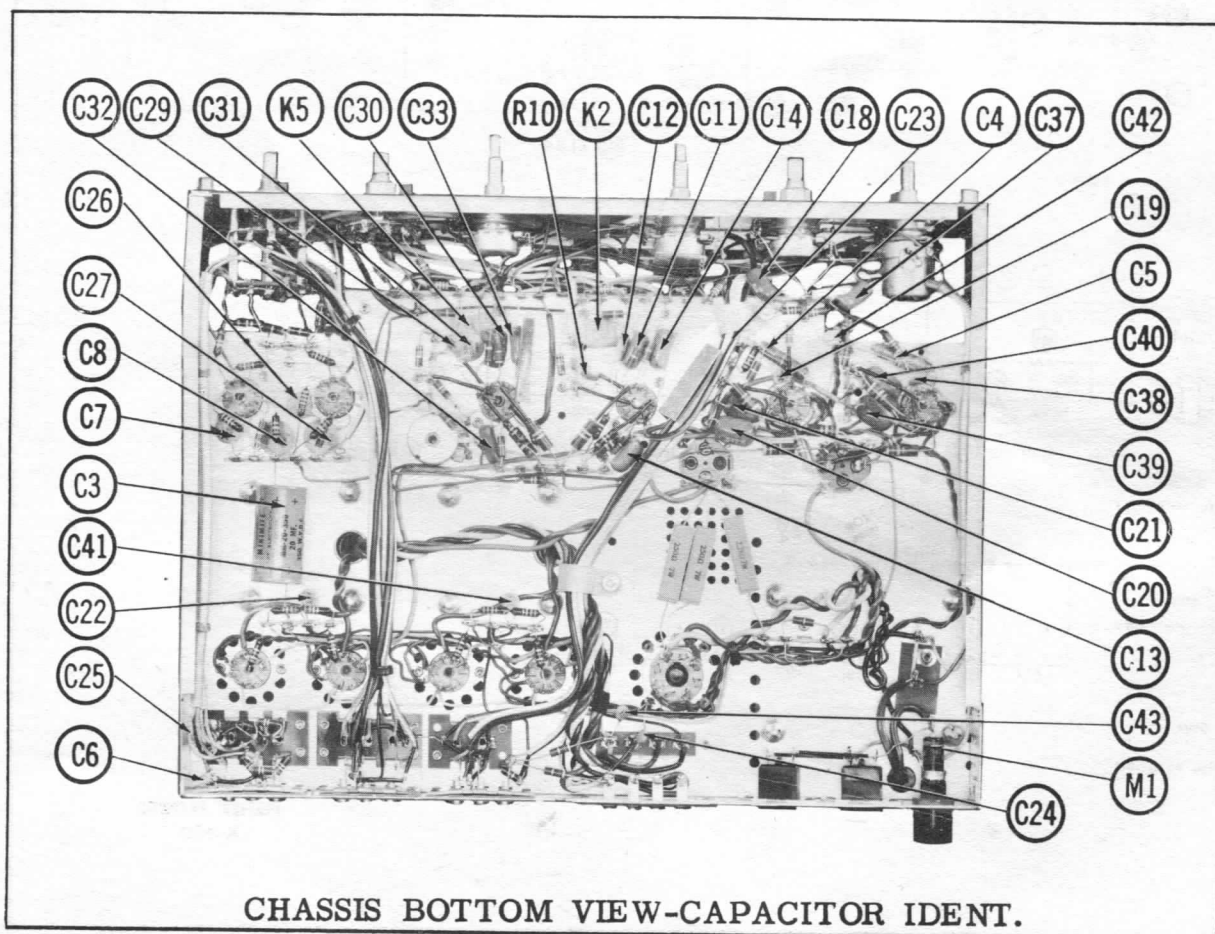
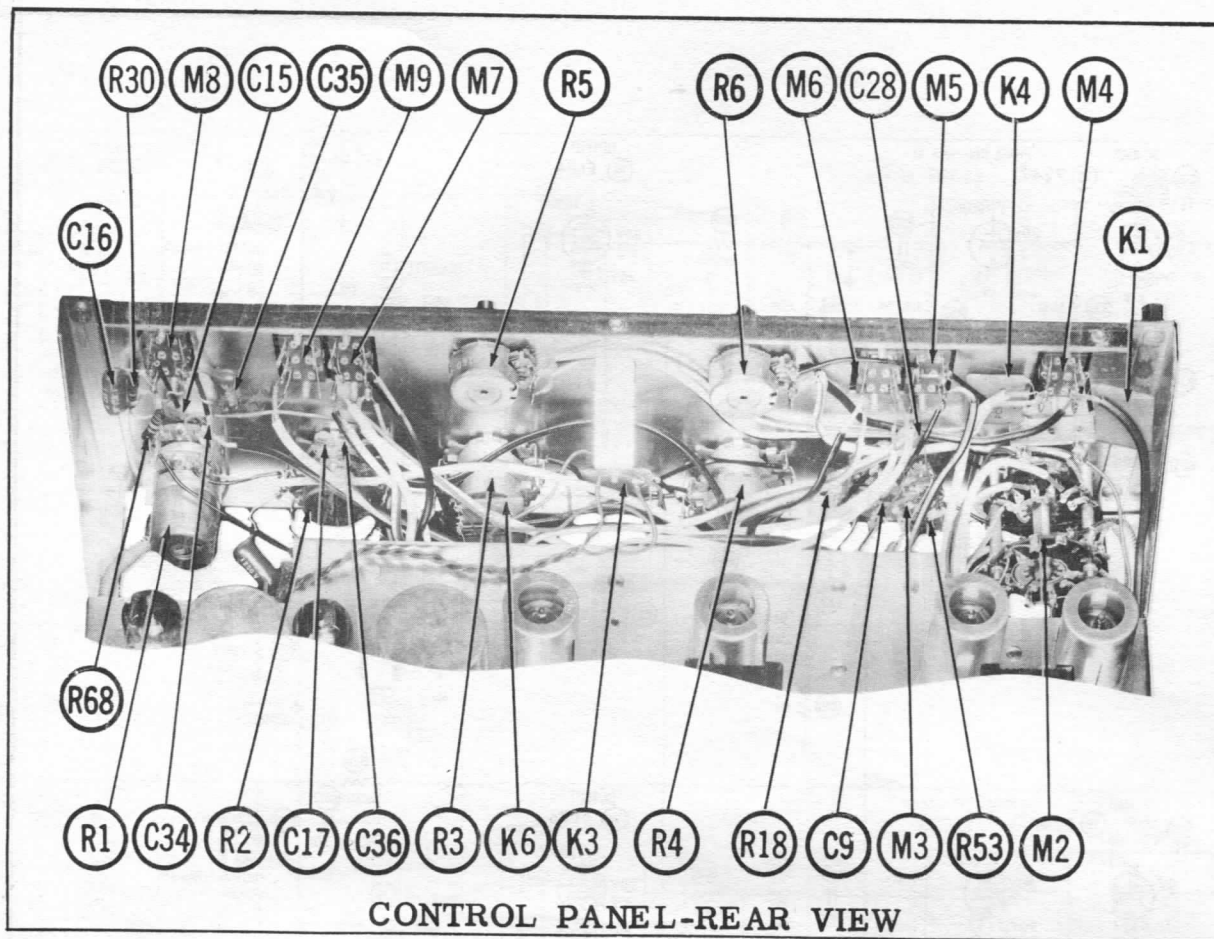


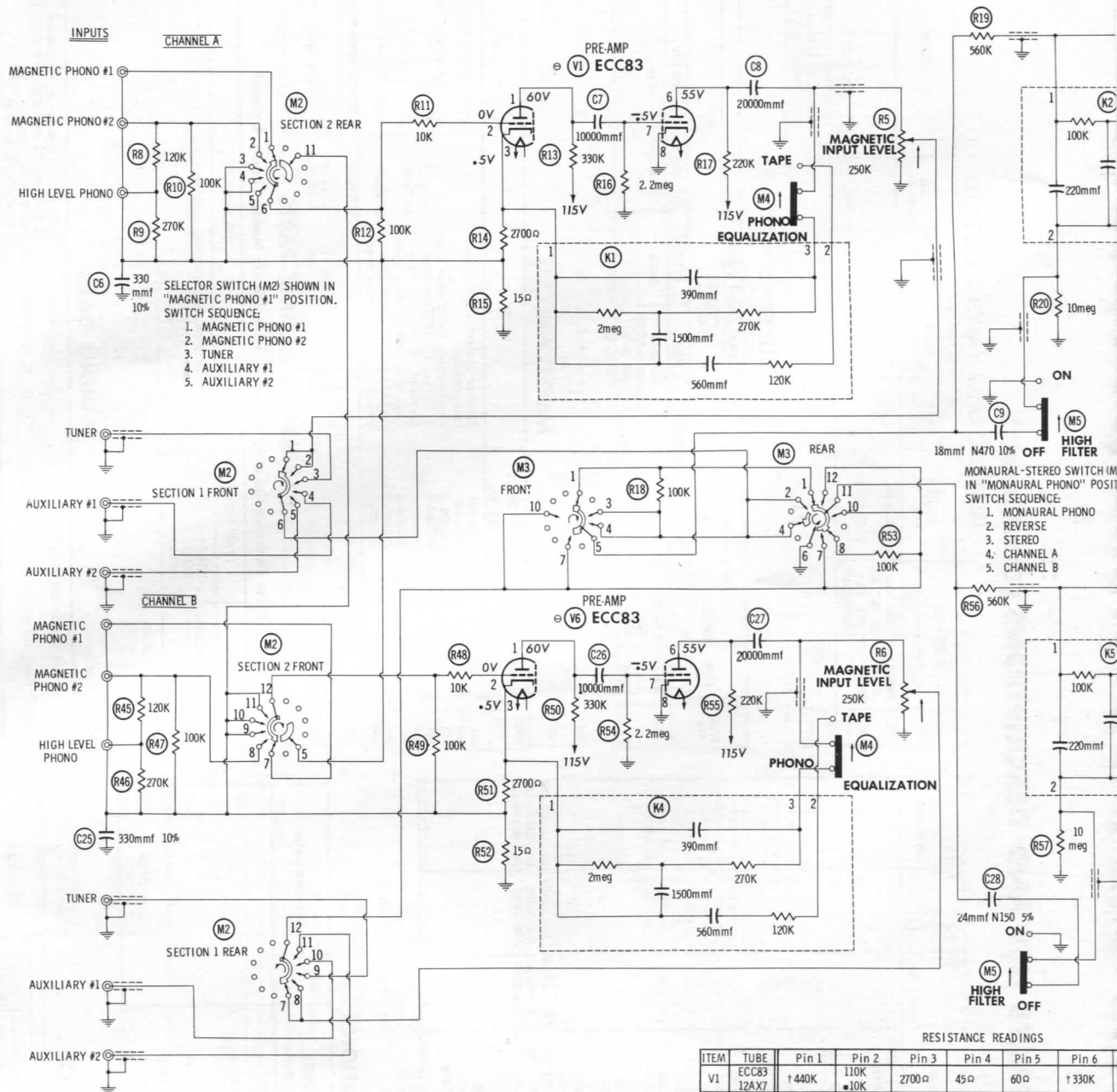


CHASSIS-BOTTOM VIEW-RESISTOR IDENTIFICATION



CHASSIS-BOTTOM VIEW-RESISTOR IDENTIFICATION





SELECTOR SWITCH (M2) SHOWN IN "MAGNETIC PHONO #1" POSITION.
 SWITCH SEQUENCE:
 1. MAGNETIC PHONO #1
 2. MAGNETIC PHONO #2
 3. TUNER
 4. AUXILIARY #1
 5. AUXILIARY #2

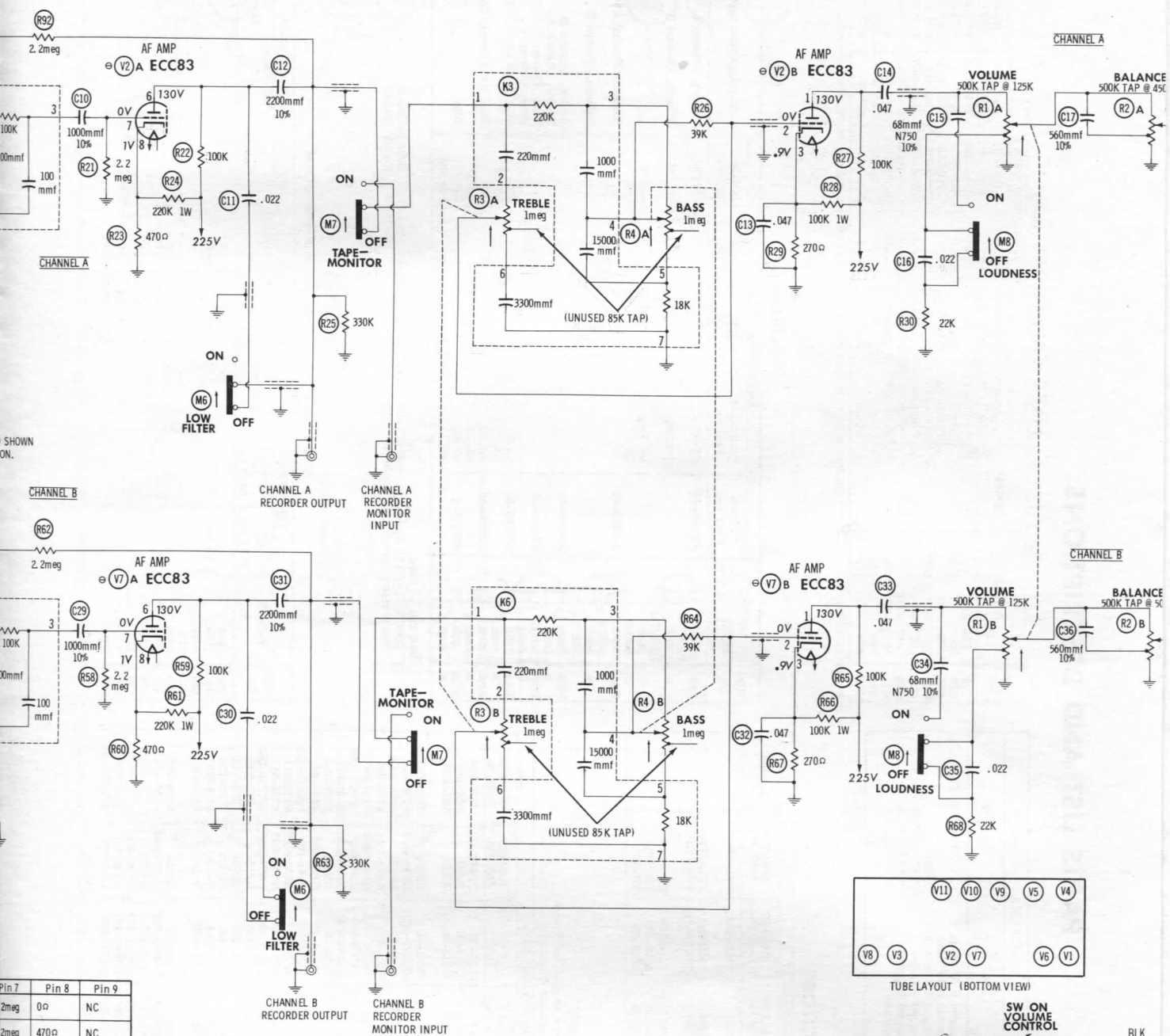
MONAURAL-STEREO SWITCH (M5) IN "MONAURAL PHONO" POSITION.
 SWITCH SEQUENCE:
 1. MONAURAL PHONO
 2. REVERSE
 3. STEREO
 4. CHANNEL A
 5. CHANNEL B

1. DC voltage measurements taken with vacuum tube voltmeter; AC voltages measured with 1000 ohm per volt voltmeter.
2. Socket connections are shown as bottom views.
3. Measured values are from socket pin to common ground.
4. Line voltage maintained at 117 volts for voltage readings.
5. Nominal tolerance of component values makes possible a variation of $\pm 15\%$ in voltage and resistance readings.
6. All controls at minimum, proper output load connected.

RESISTANCE READINGS

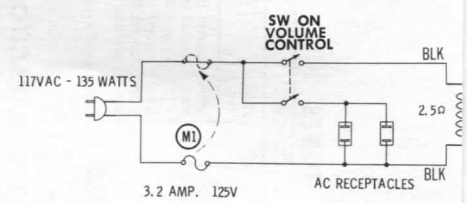
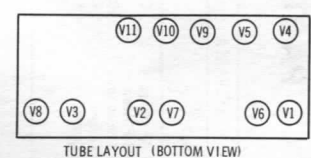
ITEM	TUBE	Pin 1	Pin 2	Pin 3	Pin 4	Pin 5	Pin 6
V1	ECC83 12AX7	† 440K	110K ■ 10K	2700Ω	45Ω	60Ω	† 330K
V2	ECC83 12AX7	† 110K	60K	270Ω	0Ω	15Ω	† 110K
V3	7247	† 52K	† 570K	47K	160Ω	160Ω	† 570K
V4	EL84 6B05	NC	335K	60Ω	160Ω	160Ω	NC
V5	EL84 6B05	NC	335K	60Ω	160Ω	160Ω	NC
V6	ECC83 12AX7	† 440K	110K ■ 10K	2700Ω	45Ω	30Ω	† 330K
V7	ECC83 12AX7	† 110K	60K	270Ω	15Ω	30Ω	† 110K
V8	7247	† 52K	† 570K	47K	160Ω	160Ω	† 570K
V9	EL84 6B05	NC	335K	60Ω	160Ω	160Ω	NC
V10	EL84 6B05	NC	335K	60Ω	160Ω	160Ω	NC
V11	GZ34 5AR4	NC	†	NC	61Ω	NC	56Ω

† THIS READING WILL VARY DEPENDING UPON THE CONDITION OF THE ELECTROLYTIC CAPACITORS.
 † MEASURED FROM PIN 8 OF V11.
 ■ TAKEN WITH SELECTOR IN AUX POSITION. NC NO CONNECTION

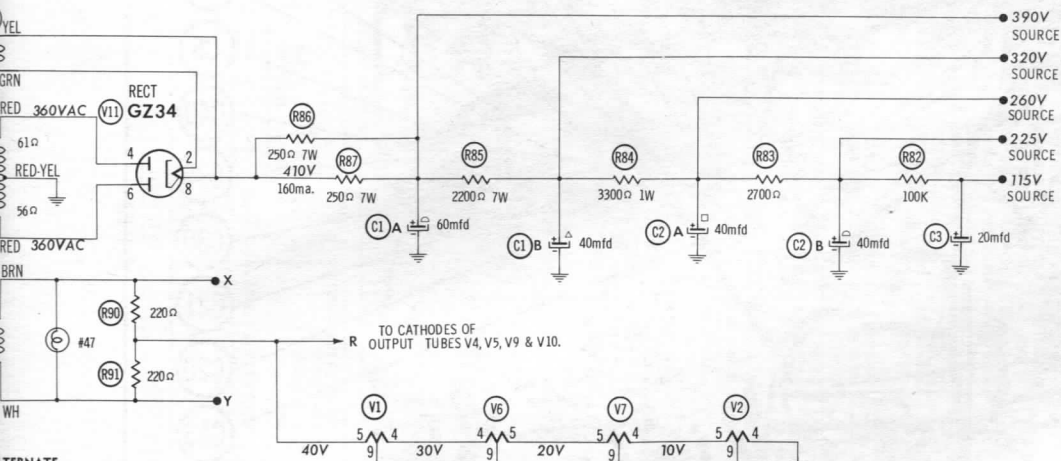
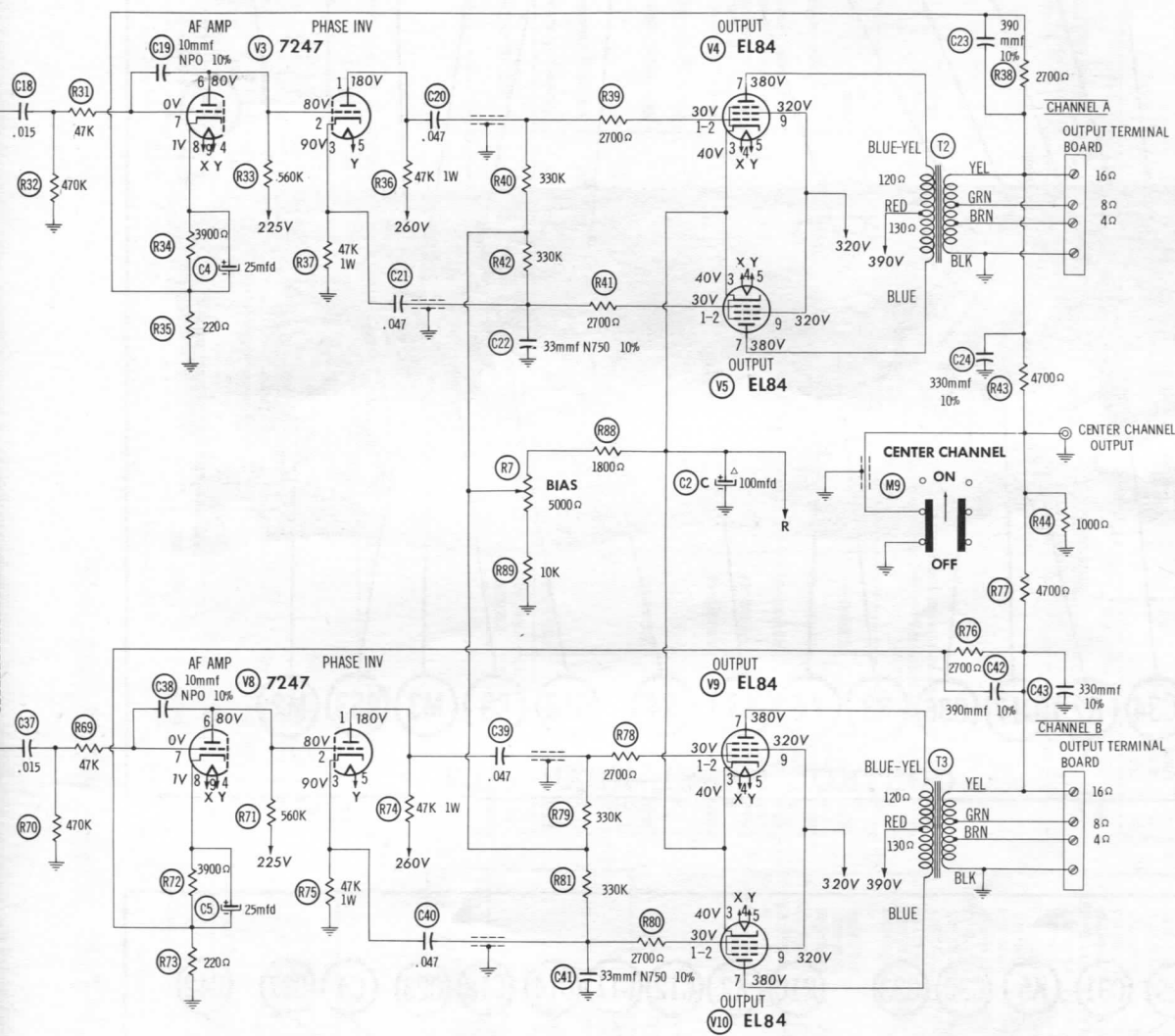


Pin 7	Pin 8	Pin 9
2meg	0Ω	NC
2meg	470Ω	NC
10K	4100Ω	160Ω
45Ω	NC	† 2300Ω
55Ω	NC	† 2300Ω
2meg	0Ω	NC
2meg	470Ω	NC
10K	4100Ω	160Ω
45Ω	NC	† 2300Ω
55Ω	NC	† 2300Ω
	†	

NOTIC IN THE CIRCUIT.
 SECTION



SEE PARTS LIST FOR VALUE OR APPLICAT
 DC COIL RESISTANCE NOT SHOWN ON SC
 ARROWS ON CONTR (CONTROL VIEW)



ALTERNATE ON
VALUES UNDER ONE OHM
HEMATIC DIAGRAM
D INDICATE CLOCKWISE ROTATION
FROM SHAFT END)

FISHER MODEL
X-100

PARTS LIST AND DESCRIPTIONS

TUBES

GENERAL ELECTRIC			RAYTHEON			SYLVANIA		
ITEM No.	USE	TYPE	ITEM No.	USE	TYPE	ITEM No.	USE	TYPE
V1	Channel A Preamp.	ECC83/12AX7 (7025) *	V7	Channel B AF Amp.	ECC83/12AX7 (7025) *			
V2	Channel A AF Amp.	ECC83/12AX7 (7025) *	V8	Channel B AF Amp. - Channel B Phase Inv.	7247 EL84/6BQ5			
V3	Channel A AF Amp. - Channel A Phase Inv.	7247 EL84/6BQ5	V9	Channel B Output	EL84/6BQ5			
V4	Channel A Output	EL84/6BQ5	V10	Channel B Output	GZ34/5AR4			
V5	Channel A Output	EL84/6BQ5	V11	Rectifier				
V6	Channel B Preamp.	ECC83/12AX7 (7025) *						

* Alternate

FIXED CAPACITORS (cont)

ITEM No.	RATING	REMARKS	REPLACEMENT DATA					
			AEROVOX PART No.	CENTRALAB PART No.	CORNELL-DUBILIER PART No.	ELMENCOPART No.	MALLORY PART No.	SPRAGUE PART No.
C35	.022 250V		P488N-022	DD-203	CUB4S22	4DP-2-223	GEM-4122	4TM-S22
C36	560 10%		DI-560	DD-560	5R5T56	CCD-561	GP356	10TS-T56
C37	.015 250V		P488N-015	DD-153	CUB6S15	4DP-1-153	GEM-4115	4TM-S15
C38	10 NPO 10%		NPO-DI 10	DTZ-10	C10Q1C	CCTO-100	CNO-410	10TCC-Q10
C39	.047 400V		P488N-047	DD-503	CUB4S47	4DP-3-473	GEM-4147	4TM-S47
C40	.047 400V		P488N-047	DD-503	CUB4S47	4DP-3-473	GEM-4147	4TM-S47
C41	33 N750 10%		N750-DI 33	DTN-33	C10Q33U	CCTN-330	CNT7-433	10TCU-Q33
C42	390 10%		DI-390	DD-391	L10T39	CCD-391	GP339	10TS-T39
C43	330 10%		DI-330	DD-331	L10T33	CCD-331	GP333	10TS-T33

Fisher Part Number.

* Not normally in distributor's stock. Available thru distributor on order to manufacturer.

ELECTROLYTIC CAPACITORS

ITEM No.	RATING		REPLACEMENT DATA							NOTES
	CAP.	VOLT.	FISHER PART No.	AEROVOX PART No.	CORNELL-DUBILIER PART No.	MALLORY PART No.	PYRAMID PART No.	SPRAGUE PART No.		
C1A	.60	450	C663-136	AFH2-58	XB0455	FP239	TMD-2665	TVL-2767		
B	.40	450								
C2A	.40	450	C50180-14		B0450	FP238	TMD-2650	TVL-2764		
B	.40	450			BR10015	TC493	TD-100-150	TVA-1420		
C	.100	150								
C3	20	350	C692-131	PRSI735	BR2035	TC65	TD-20-350	TVA-1808		
C4	25	6	C639-114	PTT-6025	NLW25-6	TL6X25	ML6-25	TE-1091		
C5	25	6	C639-114	PTT-6025	NLW25-6	TL6X25	ML6-25	TE-1091		

FIXED CAPACITORS

Capacity values given in the rating column are in mfd. for Paper Capacitors, and in mmfd. for Mica and Ceramic Capacitors.

ITEM No.	RATING		REMARKS	REPLACEMENT DATA					
	CAP.	VOLT.		AEROVOX PART No.	CENTRALAB PART No.	CORNELL-DUBILIER PART No.	ELMENCOPART No.	MALLORY PART No.	SPRAGUE PART No.
C6	330	10%		DI-330	DD-331	L10T33	CCD-331	GP333	10TS-T33
C7	10000			BPD-01	DD-103	BYA10S1	CCD-103	B-110	5HK-S10
C8	20000			BPD-02	DD-203	BYB6S2	CCD-203	B-120	5HK-S20
C9	18 N470	10%	#C50070-13				*		
C10	1000	10%		DI-1000	DD-102	5R5D1	CCD-102	GP210	10TS-D10
C11	.022 250V	10%		P488N-022	DD-203	CUB4S22	4DP-2-223	GEM-4122	4TM-S22
C12	2200	10%		DI-2200		PM6D22	CCD-222	GP222	10TS-D22
C13	.047 250V	10%		P488N-047	DD-503	CUB4S47	4DP-3-473	GEM-4147	4TM-S47
C14	.047 250V	10%		P488N-047	DD-503	CUB4S47	4DP-3-473	GEM-4147	4TM-S47
C15	68 N750	10%		N750-DI 68	DTN-68	C10Q68U	CCTN-680	CNT7-468	10TCU-Q68
C16	.022 250V	10%		P288N-022	DD-203	CUB4S22	4DP-2-223	GEM-4122	4TM-S22
C17	560	10%		DI-560	DD-560	5R5T56	CCD-561	GP356	10TS-T56
C18	.015 250V	10%		P488N-015	DD-153	CUB6S15	4DP-1-153	GEM-4115	4TM-S15
C19	10 NPO	10%		NPO-DI 10	DTZ-10	C10Q1C	CCTO-100	CNO-410	10TCC-Q10
C20	.047 400V	10%		P488N-047	DD-503	CUB4S47	4DP-3-473	GEM-4147	4TM-S47
C21	.047 400V	10%		P488N-047	DD-503	CUB4S47	4DP-3-473	GEM-4147	4TM-S47
C22	33 N750	10%		N750-DI 33	DTN-33	C10Q33U	CCTN-330	CNT7-433	10TCU-Q33
C23	390	10%		DI-390	DD-391	L10T39	CCD-390	GP339	10TS-T39
C24	330	10%		DI-330	DD-331	L10T33	CCD-331	GP333	10TS-T33
C25	330	10%		DI-330	DD-331	L10T33	CCD-331	GP333	10TS-T33
C26	10000			BPD-01	DD-103	BYA10S1	CCD-103	B-110	5HK-S10
C27	20000			BPD-02	DD-203	BYB6S2	CCD-203	B-120	5HK-S20
C28	24 N150	5%	#C50070-8				*		
C29	1000	10%		DI-1000	DD-102	5R5D1	CCD-102	GP210	10TS-D10
C30	.022 250V	10%		P488N-022	DD-203	CUB4S22	4DP-2-223	GEM-4122	4TM-S22
C31	2200	10%		DI-2200		PM6D22	CCD-222	GP222	10TS-D22
C32	.047 250V	10%		P488N-047	DD-503	CUB4S47	4DP-3-473	GEM-4147	4TM-S47
C33	.047 250V	10%		P488N-047	DD-503	CUB4S47	4DP-3-473	GEM-4147	4TM-S47
C34	68 N750	10%		N750-DI 68	DTN-68	C10Q68U	CCTN-680	CNT7-468	10TCU-Q68

CONTROLS

ITEM No.	RATING		REPLACEMENT DATA					INSTALLATION NOTES
	RESISTANCE	WATTS	FISHER PART No.	CENTRALAB PART No.	CLAROSTAT PART No.	CTS-IRC PART No.	MALLORY PART No.	
R1A	500K	1/2	R50160-44	BT-66			FA55T15	Volume, Channel A
B	125K Tap	1/2		STR-66			RU55T15	Volume, Channel B
C	500K	1/2		Not Req.			CS-3500	
D	Shaft			KR-1			US-41	
R2A	500K	1/2	R50160-45					Balance, Channel A
B	50K Tap	1/2						Balance, Channel B
R3A	500K	1/2	R50160-43					
B	1meg *	1/2				† QJ-1522R		Treble, Channel B
R4A	1meg *	1/2	R50160-43			† QJ-1522R		Treble, Channel A
B	1meg *	1/2						Bass, Channel B
R5A	250K	1/2	R50160-46	AB-50	A47-250K-Z	B13-130	U46	Mag. Input Level, Channel A
B	Shaft			AK-33	RS-3/16	SK9	DS-37	
R6A	250K	1/2	R50160-46	AB-50	A47-250K-Z	B13-130	U46	Mag. Input Level, Channel B
B	Shaft			AK-33	RS-3/16	SK9	DS-37	
R7A	5000Ω	1/2	R50103-4	BX-10	A47-5000-S	Q11-114	U14	Bias
B	Shaft			Not Req.	FKS-1/4	Not Req.	Not Req.	

* 85K Tap not used.

† "CONCENTRIKIT" Equivalent: K-6 Kit with Base Elements and Shafts: B18-137X, P17-028 (Panel)
B18-137X, R1-105 (Rear)

RESISTORS

All wattages 1/2 watt, or less, unless otherwise listed.

ITEM No.	RATING	REPLACEMENT DATA			ITEM No.	RATING	REPLACEMENT DATA		
		IRC PART No.	WORKMAN TV PART No.	REMARKS			IRC PART No.	WORKMAN TV PART No.	REMARKS
R8	120K				R18	100K			
R9	270K				R19	560K			
R10	100K				R20	10meg			
R11	10K				R21	2.2meg			
R12	100K				R22	100K			
R13	330K				R23	470Ω			
R14	2700Ω				R24	220K 1W			
R15	15Ω				R25	330K			
R16	2.2meg				R26	39K			
R17	220K				R27	100K			

PARTS LIST AND DESCRIPTIONS (Continued)

RESISTORS (cont)

ITEM No.	RATING	REPLACEMENT DATA			ITEM No.	RATING	REPLACEMENT DATA		
		IRC PART No.	WORKMAN TV PART No.	REMARKS			IRC PART No.	WORKMAN TV PART No.	REMARKS
R28	100K 1W				R61	220K 1W			
R29	270Ω				R62	2.2meg			
R30	22K				R63	330K			
R31	47K				R64	39K			
R32	470K				R65	100K			
R33	560K				R66	100K 1W			
R34	3900Ω				R67	270Ω			
R35	220Ω				R68	22K			
R36	47K 1W				R69	47K			
R37	47K 1W				R70	470K			
R38	2700Ω				R71	560K			
R39	2700Ω				R72	3900Ω			
R40	330K				R73	220Ω			
R41	2700Ω				R74	47K 1W			
R42	330K				R75	47K 1W			
R43	4700Ω				R76	2700Ω			
R44	1000Ω				R77	4700Ω			
R45	120K				R78	2700Ω			
R46	270K				R79	330K			
R47	100K				R80	2700Ω			
R48	10K				R81	330K			
R49	100K				R82	100K			
R50	330K				R83	2700Ω			
R51	2700Ω				R84	3300Ω 1W			
R52	15Ω				R85	2200Ω 7W	PW10-2200Ω	10W-2200Ω	Pt. #R563-148
R53	100K				R86	250Ω 7W	PW10-250Ω	10W-250Ω	Pt. #R539-121
R54	2.2meg				R87	250Ω 7W	PW10-250Ω	10W-250Ω	Pt. #R539-121
R55	220K				R88	1800Ω			
R56	560K				R89	10K			
R57	10meg				R90	220Ω			
R58	2.2meg				R91	220Ω			
R59	100K				R92	2.2meg			
R60	470Ω								

TRANSFORMER (AUDIO OUTPUT)

ITEM No.	IMPEDANCE		REPLACEMENT DATA					NOTES
			FISHER PART No.	Merit PART No.	Stancor PART No.	Thordarson PART No.	Triad PART No.	
T2	7300Ω CT	16Ω Tap @ 8Ω, 4Ω	T781-116-1					
T3	7300Ω CT	16Ω Tap @ 8Ω, 4Ω	T781-116-2					

FUSES

ITEM No.	TYPE	RATING	REPLACEMENT DATA					
			FISHER PART No.		LITTELFUSE PART No.		BUSS PART No.	
			FUSE	HOLDER	FUSE	HOLDER	FUSE	HOLDER
M1	3AG	3 2/10A 125V S/B	F3319	X1036	31303.2 (3AG 3 2/10A 125V S/B)	342001	MDX 3 2/10	HKP

MISCELLANEOUS

ITEM No.	PART NAME	FISHER PART No.	NOTES
M2	Switch	S781-129	Selector (Rotary Wafer Type)
M3	Switch	S781-130	Mono-Stereo
M4	Switch	S50200-2	Equalization, DPDT Slide Type
M5	Switch	S50200-2	Hi Filter, DPDT Slide Type
M6	Switch	S50200-2	Lo Filter, DPDT Slide Type
M7	Switch	S50200-2	Tape-Mono, DPDT Slide Type
M8	Switch	S50200-2	Loudness, DPDT Slide Type
M9	Switch	S50200-2	Center Ch., DPDT Slide Type

COMPONENT COMBINATIONS

ITEM No.	USE	DESCRIPTION	FISHER PART No.	REPLACEMENT DATA
K1	Equal. Comp.	390mmf, 560mmf, 1500mmf, 120K, 270K, 2meg	PC50187-3	
K2	Hi-Freq. Filter	(2) 100mmf, 220mmf, (2) 100K	PC50187-2	
K3	Tone Comp.	220mmf, 1000mmf, 3300mmf, 15000mmf, 18K, 220K	PC50187-4	
K4	Equal. Comp.	390mmf, 560mmf, 1500mmf, 120K, 270K, 2meg	PC50187-3	
K5	Hi-Freq. Filter	(2) 100mmf, 220mmf, (2) 100K	PC50187-2	
K6	Tone Comp.	220mmf, 1000mmf, 3300mmf, 15000mmf, 18K, 220K	PC50187-4	

TRANSFORMER (POWER)

ITEM No.	RATING			REPLACEMENT DATA					NOTES
				FISHER PART No.	Merit PART No.	Stancor PART No.	Thordarson PART No.	Triad PART No.	
T1	117V @ 1.2A	720VCT @ .160A DC	5V @ 1.9A	T781-115					
	6.3V @ 4.1A								

CABINETS & CABINET PARTS

(When Ordering Cabinets & Cabinet Parts, Specify Model, Chassis & Color)

NAME	PART NO.	DESCRIPTION
Knob	E50133-2	Volume, Balance, Selector, Mono-Stereo
Knob	E50153-1	Rear, Bass, Treble
Knob	E50152	Front, Bass, Treble

WIRING DATA

General-use Unshielded Hook-up Wire	Use BELDEN No. 8530 (Solid) Available in Ten Colors 8524 (Stranded) Available in Ten Colors
Power Cord	Use BELDEN No. 1765-B (6 Ft. Length) 1725-K (7½ Ft. Length)