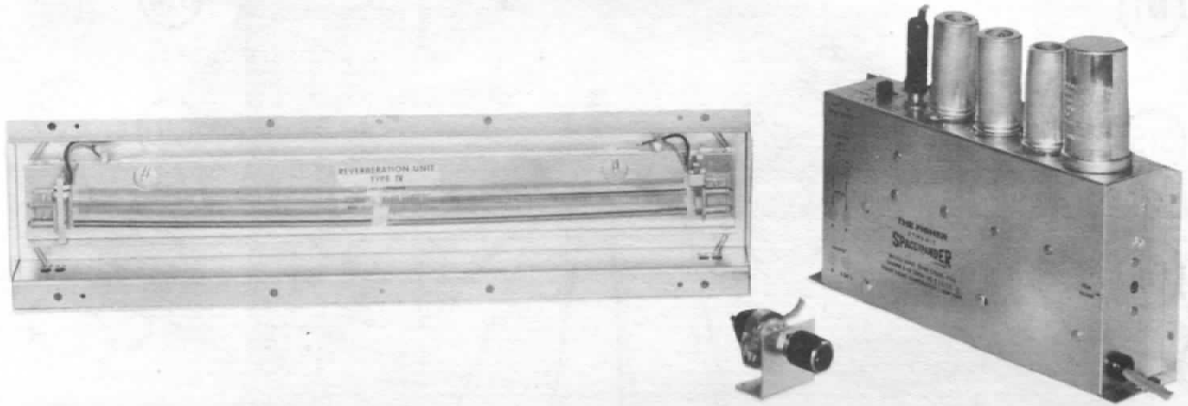




FISHER MODEL
K-10



FISHER MO
K-10

PARTS LIST AND DESCRIPTIONS

TUBES

* GENERAL ELECTRIC *			RAYTHEON			SYLVANIA *		
ITEM No.	USE	TYPE	ITEM No.	USE	TYPE			
V1	AF Amp. -Cath. Follower	7247	V3	AF Amplifier	ECC83/12AX7 (7025)*			
V2	AF Amplifier	ECC83/12AX7(7025)*						

* Alternate

ELECTROLYTIC CAPACITORS

ITEM No.	RATING		REPLACEMENT DATA						
	CAP.	VOLT.	FISHER PART No.	AEROVOX PART No.	CORNELL-DUBILIER PART No.	GENERAL ELECTRIC PART No.	MALLOY PART No.	PYRAMID PART No.	SPRAGUE PART No.
C1A	40	350	C50180-25	AFH4-06-25	D0032	XC4-10	FP433.1	TMQ-4604	TVL-4758
B	40	350							
C	10	300							
D	10	300							
C2	50	3	C50283-1	PTT12	NLW50-3	MT1-15	TT6X50	MLV50-3	TE-1058
C3	25	6	C639-114	PTT26	NLW25-10	MT1-10	TT6X25	MLV25-6	TE-1091
C4	50	3	C50283-1	PTT12	NLW50-3	MT1-15	TT6X50	MLV50-3	TE-1058
C5	50	3	C50283-1	PTT12	NLW50-3	MT1-15	TT6X50	MLV50-3	TE-1058
C6	50	3	C50283-1	PTT12	NLW50-3	MT1-15	TT6X50	MLV50-3	TE-1058

FIXED CAPACITORS

ITEM No.	RATING	REMARKS	REPLACEMENT DATA					
			AEROVOX PART No.	CENTRALAB PART No.	CORNELL-DUBILIER PART No.	ELMENC0 PART No.	MALLOY PART No.	SPRAGUE PART No.
C7	220 10%		DI-220	DD-221	L10T22	CCD-221	B-322	10TS-T22
C8	.01		BPD-01	DD-103	BYA103E	CCD-103	B-110	5HK-S10
C9	.0027 10%		DI-2700		PM6D3	CCD-272		10TS-D27
C10	470 10%		DI-470	DD-471	5R5T47	CCD-471	GFS47	10TS-T47
C11	270 10%		DI-270	DD-271	L10T27	CCD-271	GFS27	10TS-T27
C12	270 10%		DI-270	DD-271	L10T27	CCD-271	GFS27	10TS-T27
C13	.0027 10%		DI-2700		PM6D3	CCD-272		10TS-D27
C14	12 NPO 10%			TCZ-12	C10Q12C	CCTO-120	CNO-121	10TCC-Q12
C15	.1 400V		F488N-1	DF-104	CUB4P1	4DP-3-104	GEM-401	4TM-P10
C16	.1 400V		F488N-1	DF-104	CUB4P1	4DP-3-104	GEM-401	4TM-P10

CONTROLS

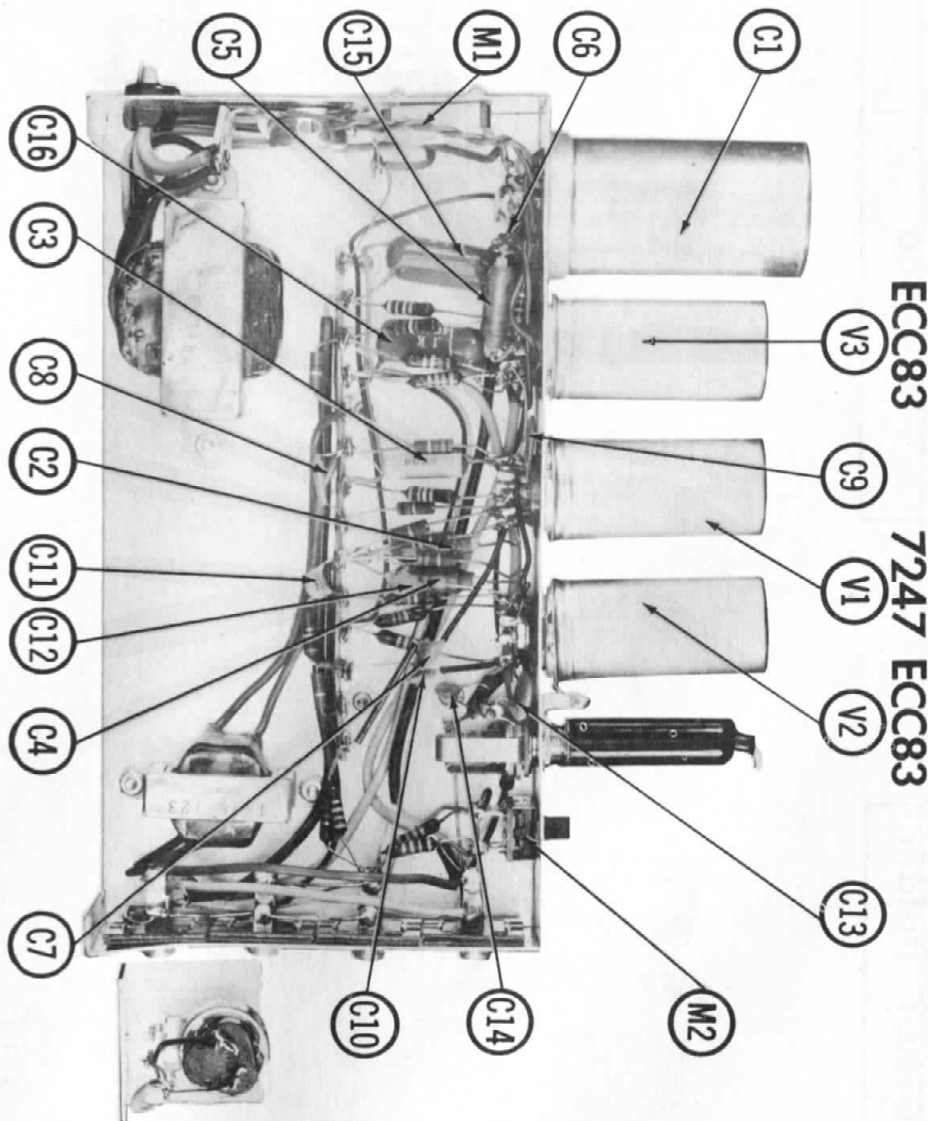
ITEM No.	RATING		REPLACEMENT DATA					INSTALLATION NOTES
	RESISTANCE	WATTS	FISHER PART No.	CENTRALAB PART No.	CLAROSTAT PART No.	CTS-IRC PART No.	MALLOY PART No.	
RIA	250K	1/2	R846-113					Remote Spac expander Push-Pull, Spac expander Ham Adjust
B	Switch					112-500		
R2	500Ω	2(WW)	R516-118					

RESISTORS

All wattages 1/2 watt, or less, unless otherwise listed.

ITEM No.	RATING	REPLACEMENT DATA			ITEM No.	RATING	REPLACEMENT DATA		
		IRC PART No.	WORKMAN TV PART No.	REMARKS			IRC PART No.	WORKMAN TV PART No.	REMARKS
R3	470K				R6	10meg			
R4	470K				R7	330K			
R5	2.2meg				R8	330K			

CHASSIS-BOTTOM VIEW



ECC83
7247
ECC83

PARTS LIST AND DESCRIPTIONS (Continued)

RESISTORS (cont)

ITEM No.	RATING	REPLACEMENT DATA			REMARKS	ITEM No.	RATING	REPLACEMENT DATA		
		IRC PART No.	WORKMAN TV PART No.					IRC PART No.	WCREMAN TV PART No.	
R9	1meg				Note 1	R22	470K			
R10	680Ω					R23	2.2meg			
R11	47K					R24	220K			
R12	47K					R25	470K			
R13	330K					R26	220K			
R14	2700Ω					R27	2700Ω			
R15	680K					R28	220K			
R16	2.2meg					R29	470K			
R17	100K					R30	220K			
R18	100K					R31	2700Ω			
R19	270K					R32	56K			
R20	3300Ω				R33	12K				
R21	470K				R34	2700Ω				

Note 1. Not used in some versions.

TRANSFORMER (POWER)

ITEM No.	RATING			REPLACEMENT DATA					NOTES
	PRI.	SEC. 1	SEC. 2	FISHER PART No.	Merit PART No.	Stancor PART No.	Thordarson PART No.	Triad PART No.	
T1	117V @ .13A	200V @ .025A AC	6.3V @ 1A	T846-115					

TRANSFORMER (MATCHING)

ITEM No.	TURNS RATIO		REPLACEMENT DATA					NOTES
	PRI.	SEC.	FISHER PART No.	Merit PART No.	Stancor PART No.	Thordarson PART No.	Triad PART No.	
T2	1.8	1	T846-123					

POWER RECTIFIERS

ITEM No.	RATING		REPLACEMENT DATA			NOTES
	CURRENT (Measured)		FISHER PART No.	RCA PART No.	SARKES TARZIAN PART No.	
M1	.010A		SR50253-2 †	1N1763 ‡	2F4 ‡	† Bridge Type Selenium ‡ Silicon Type, 4 Req'd.

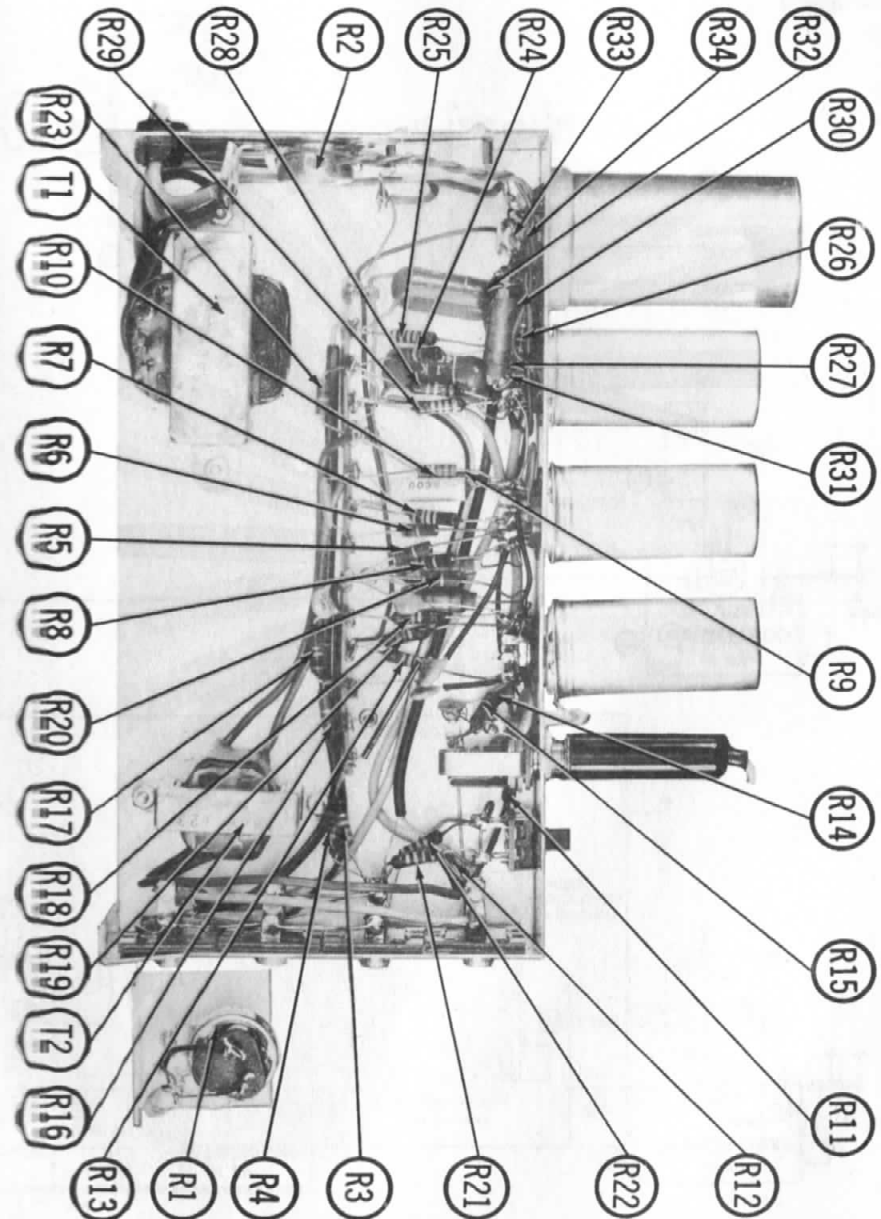
MISCELLANEOUS

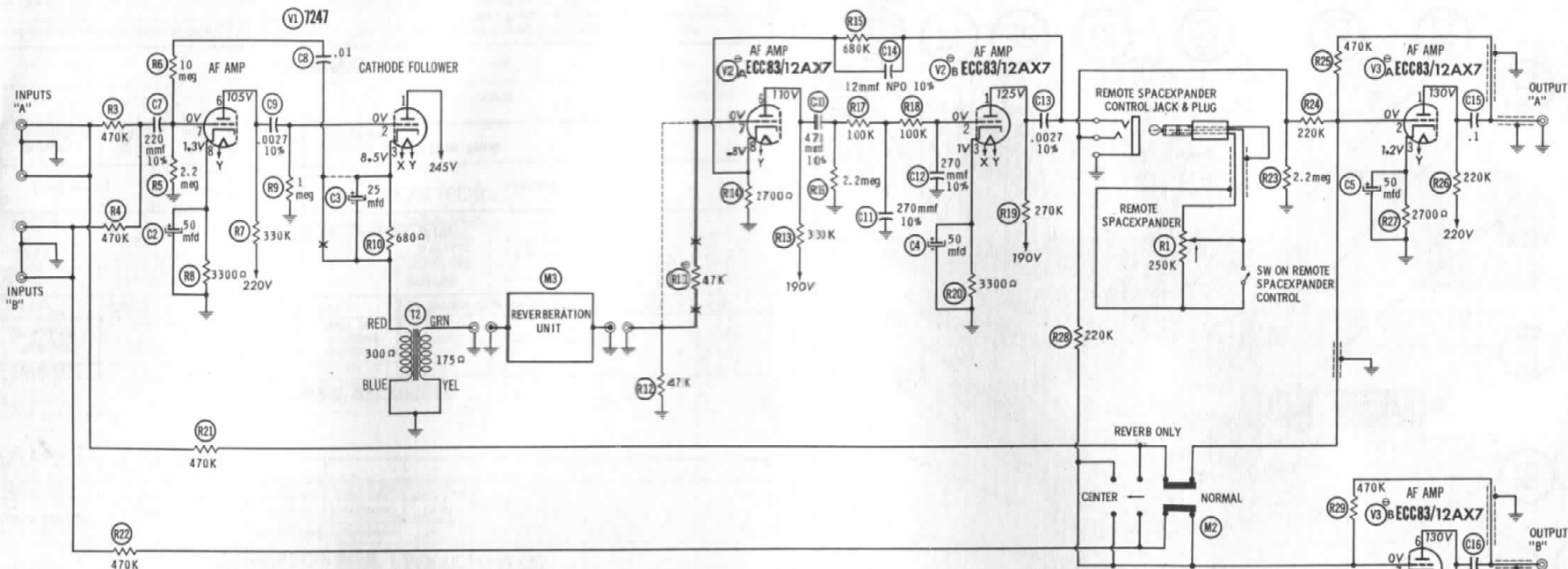
ITEM No.	PART NAME	FISHER PART No.	NOTES
M2	Switch	S846-118	Selector (DPDT Slide Type)
M3	Reverberation Unit	A846-109	Complete

WIRING DATA

General-use Unshielded Hook-up Wire Use BELDEN No. 8530 (Solid) Available in Ten Colors
8524 (Stranded) Available in Ten Colors
Power Cord Use BELDEN No. 1765-B (6 Ft. Length)
1725-K (7½ Ft. Length)

CHASSIS—BOTTOM VIEW





RESISTANCE READINGS

ITEM	TUBE	Pin 1	Pin 2	Pin 3	Pin 4	Pin 5	Pin 6	Pin 7	Pin 8	Pin 9
V1	7247	12700 Ω	1 meg	980 Ω	FIL	FIL	1345 K	2.2 meg	3300 Ω	FIL
V2	ECC83 12AX7	1230 K	2.4 meg	3300 Ω	FIL	FIL	1400 K	94 K	2700 Ω	FIL
V3	ECC83 12AX7	1235 K	220 K	2700 Ω	FIL	FIL	1235 K	220 K	2700 Ω	FIL

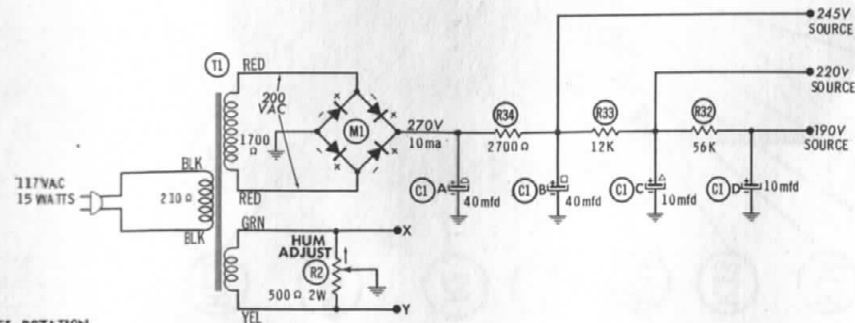
ALL MEASUREMENTS MADE WITH DELAY UNIT DISCONNECTED AND FUNCTION SWITCH IN NORMAL POSITION WITH REMOTE CONTROL FULLY COUNTERCLOCKWISE.
 † MEASURED FROM OUTPUT OF M1.

- DC voltage measurements taken with vacuum tube voltmeter; AC voltages measured with 1000 ohm per volt voltmeter.
- Socket connections are shown as bottom views.
- Measured values are from socket pin to common ground.
- Line voltage maintained at 117 volts for voltage readings.
- Nominal tolerance of component values makes possible a variation of ±15% in voltage and resistance readings.
- All controls at minimum, proper output load connected.

SEE PARTS LIST FOR ALTERNATE VALUE OR APPLICATION

ARROWS ON CONTROLS INDICATE CLOCKWISE ROTATION (CONTROL VIEWED FROM SHAFT END)

A PHOTOFAC STANDARD NOTATION SCHEMATIC
 © Howard W. Sams & Co., Inc. 1962



FISHER MODEL
 K-10