

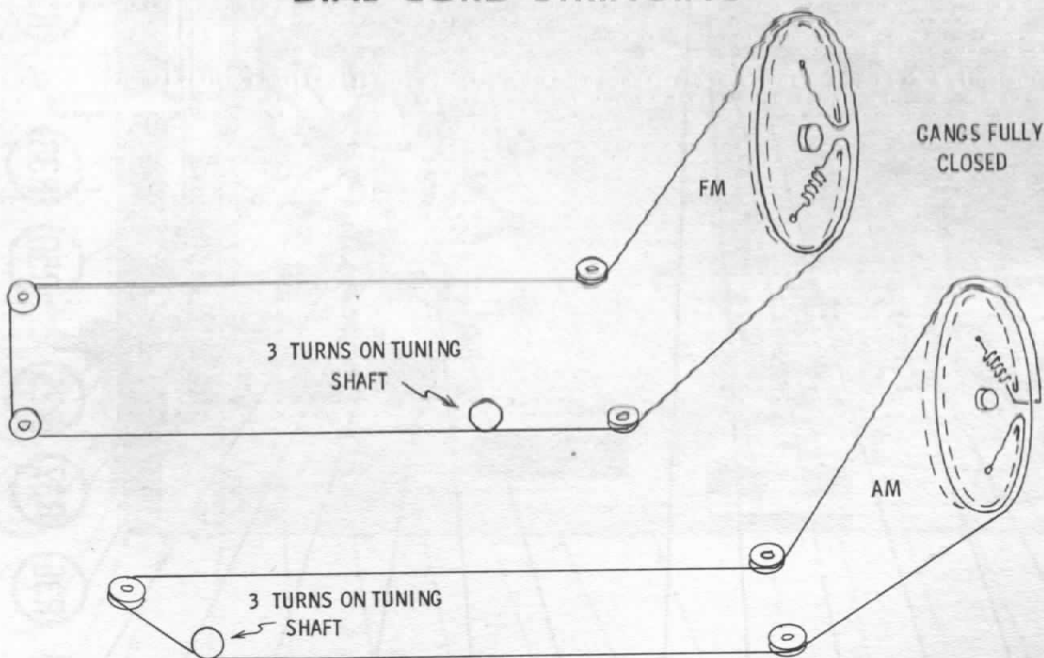


FISHER MODEL
101-R

FISHER MODEL
101-R

TRADE NAME	Fisher Model 101-R		
MANUFACTURER	Fisher Radio Corp., 21-21 44th Drive, Long Island City 1, N. Y.		
TYPE SET	AC Operated 15 Tube FM-AM Tuner		
POWER SUPPLY	105-125 Volts AC, 50-60 Cycles	RATING	80 Watts, .74 Amp. @117 Volts AC
TUNING RANGE—BROADCAST	515-1680KC	FREQ. MOD.	88-108MC

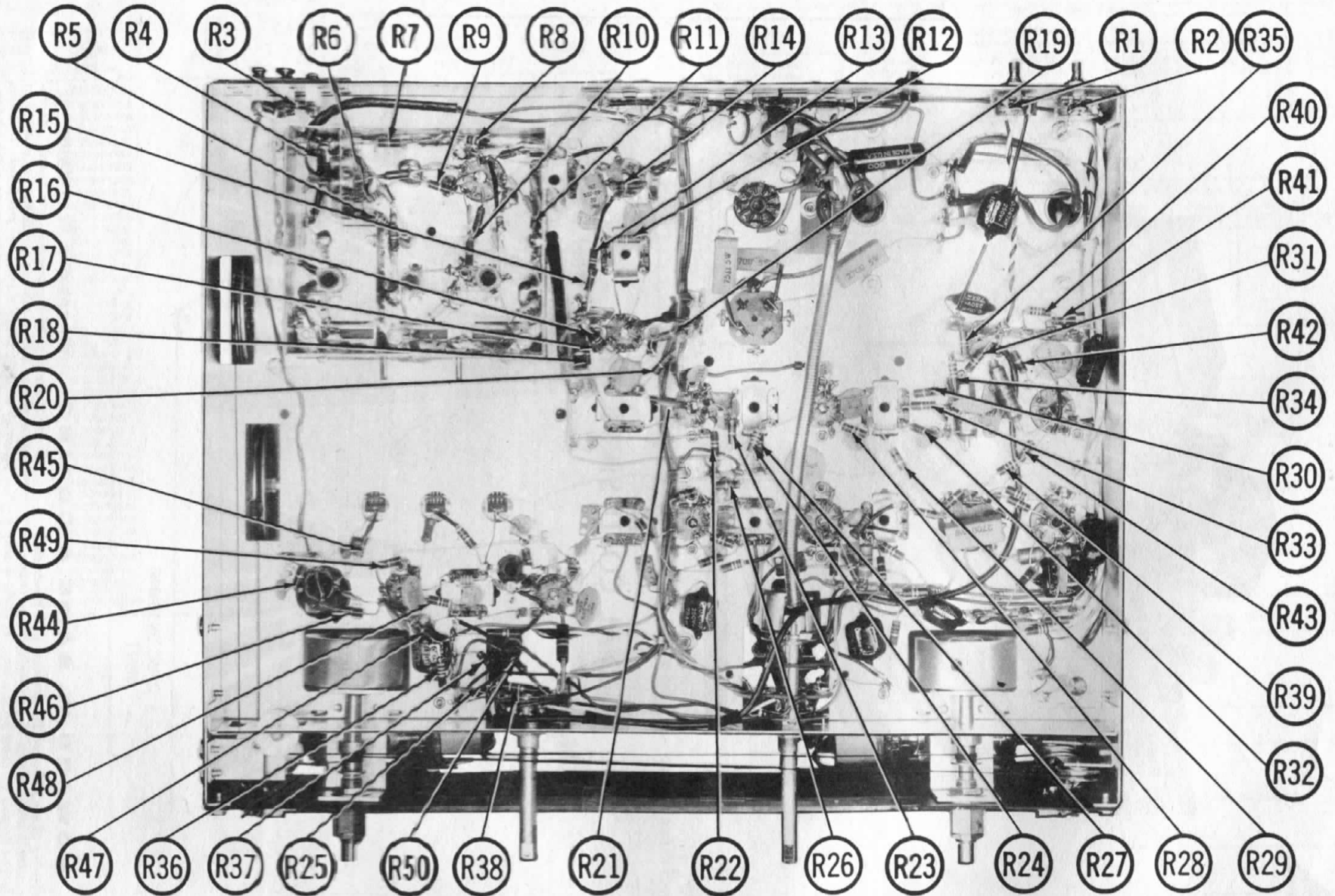
DIAL CORD STRINGING



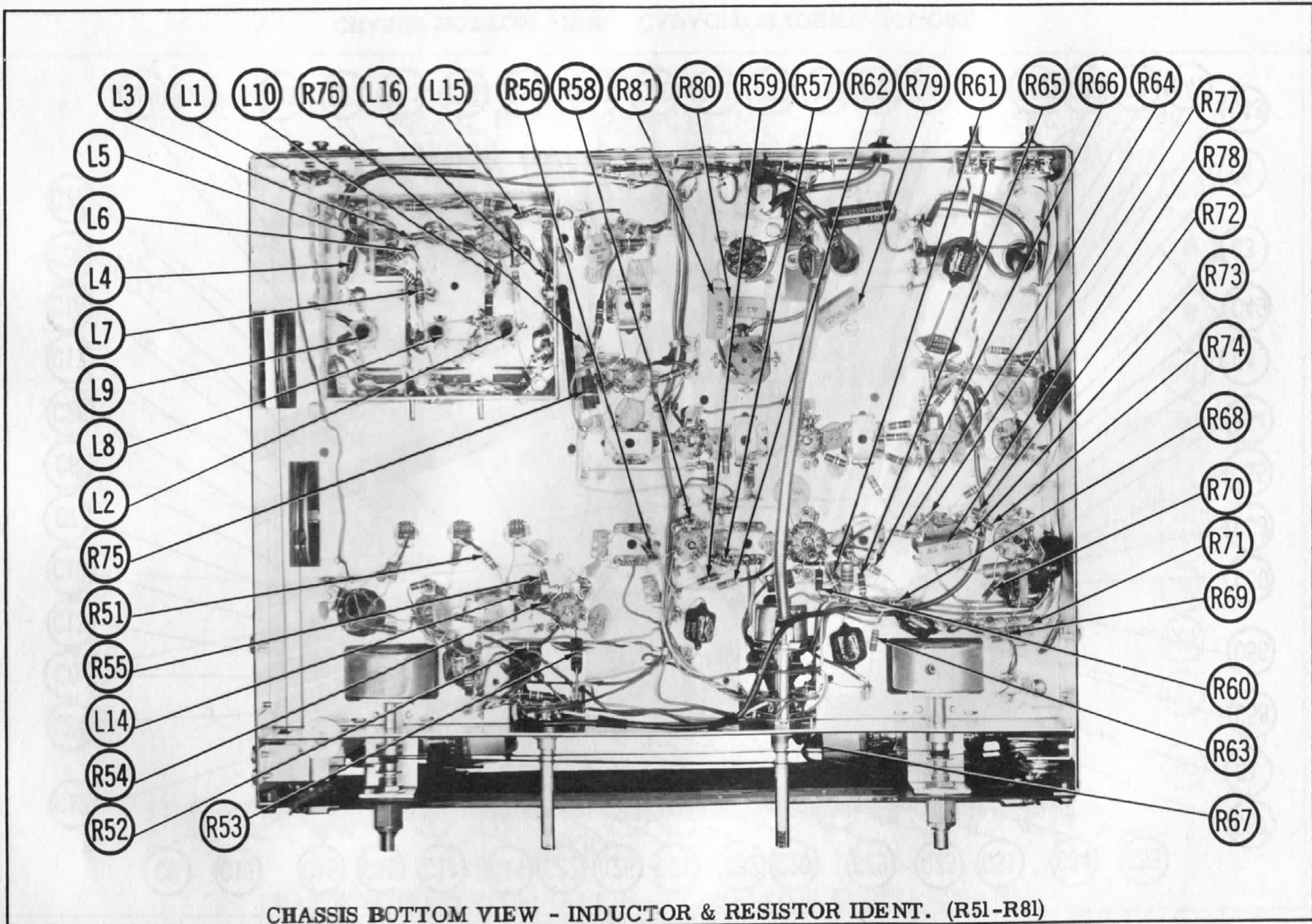
HOWARD W. SAMS & CO., INC. Indianapolis 6, Indiana

The listing of any available replacement part herein does not constitute in any case a recommendation, warranty or guaranty by Howard W. Sams & Co., Inc., as to the quality and suitability of such replacement part. The numbers of these parts have been compiled from information furnished to Howard W. Sams & Co., Inc., by the manufacturers of J10

the particular type of replacement part listed. Reproduction or use, without express permission, of editorial or pictorial content, in any manner, is prohibited. No patent liability is assumed with respect to the use of the information contained herein. © 1959 Howard W. Sams & Co., Inc., Indianapolis 6, Indiana. Printed in U.S. of America

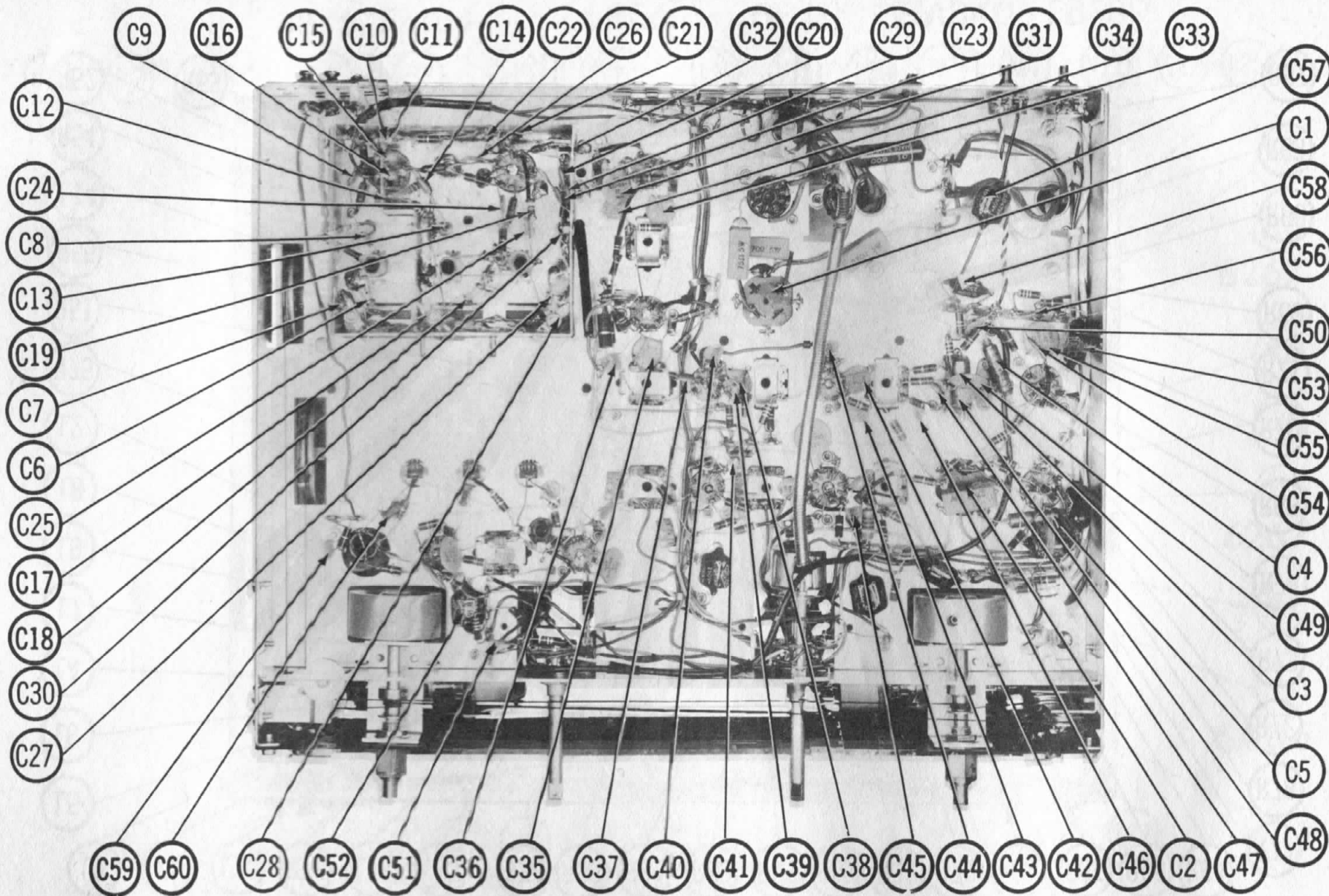


CHASSIS BOTTOM VIEW - RESISTOR IDENT. (R1-R50)

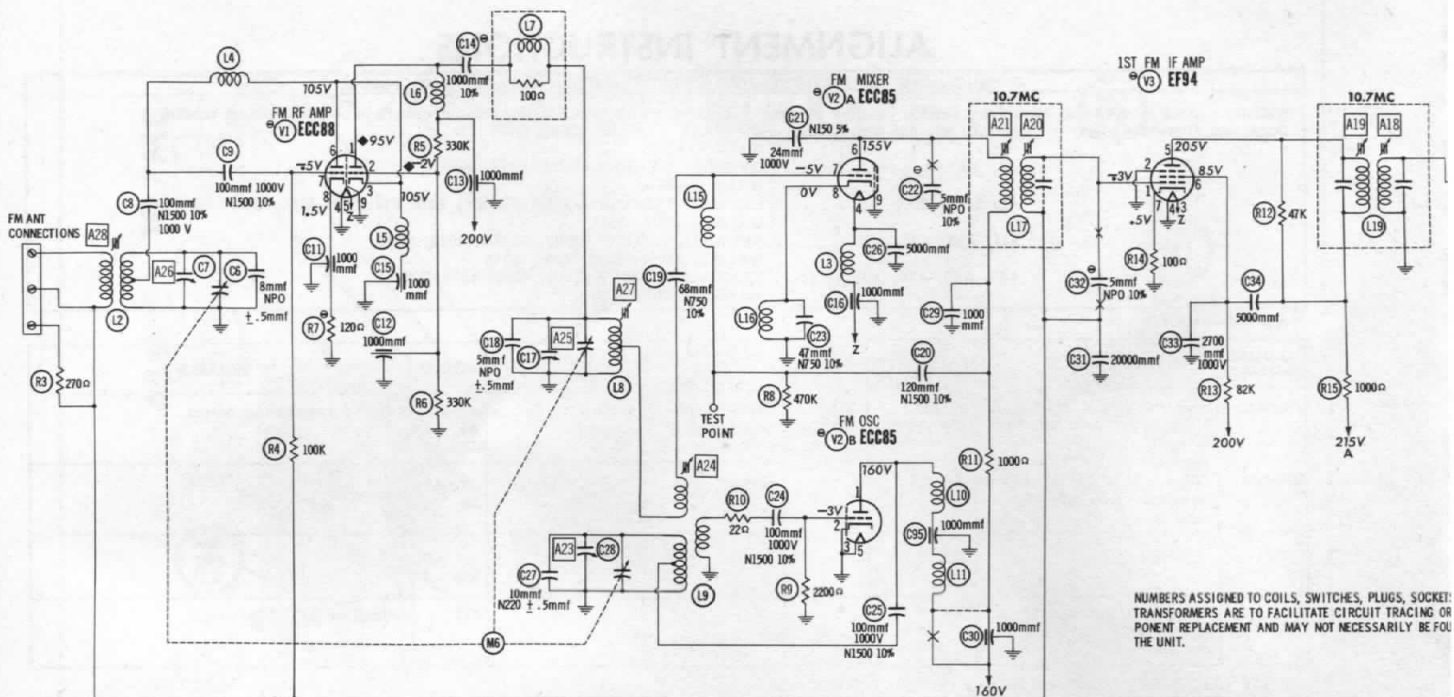


CHASSIS BOTTOM VIEW - INDUCTOR & RESISTOR IDENT. (R51-R81)

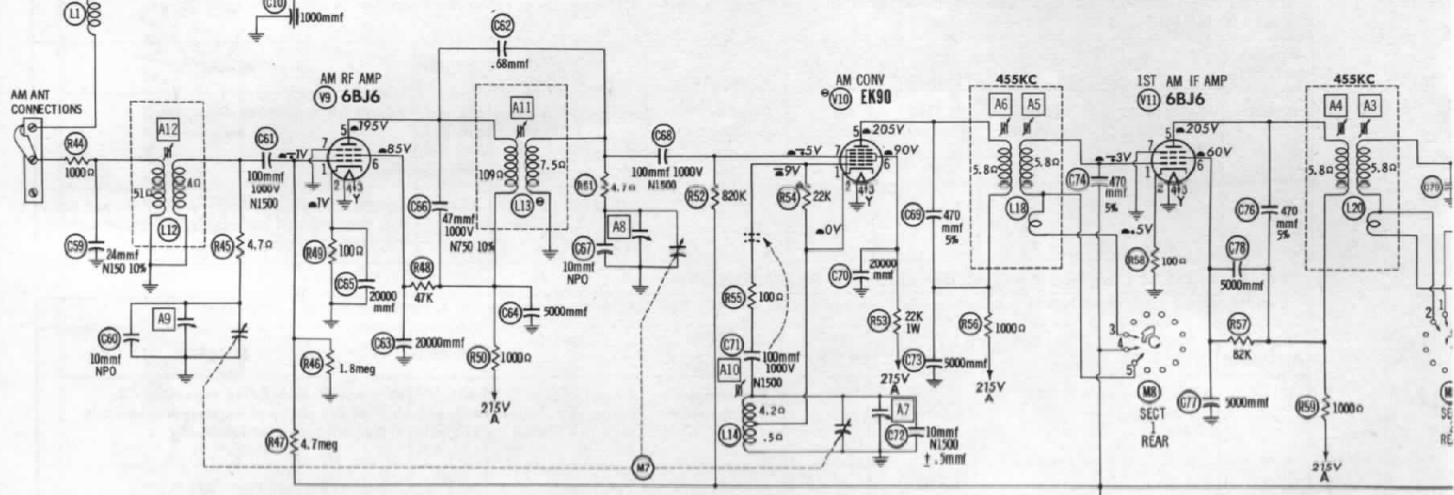
FISHER
MODEL 101-R



CHASSIS BOTTOM VIEW - CAPACITOR IDENT. (C1-C60)



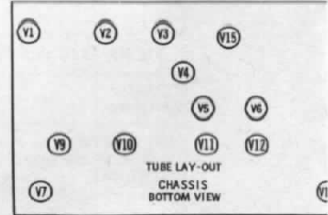
NUMBERS ASSIGNED TO COILS, SWITCHES, PLUGS, SOCKET TRANSFORMERS ARE TO FACILITATE CIRCUIT TRACING OR REPAIR REPLACEMENT AND MAY NOT NECESSARILY BE FOUND IN THE UNIT.



RESISTANCE READINGS

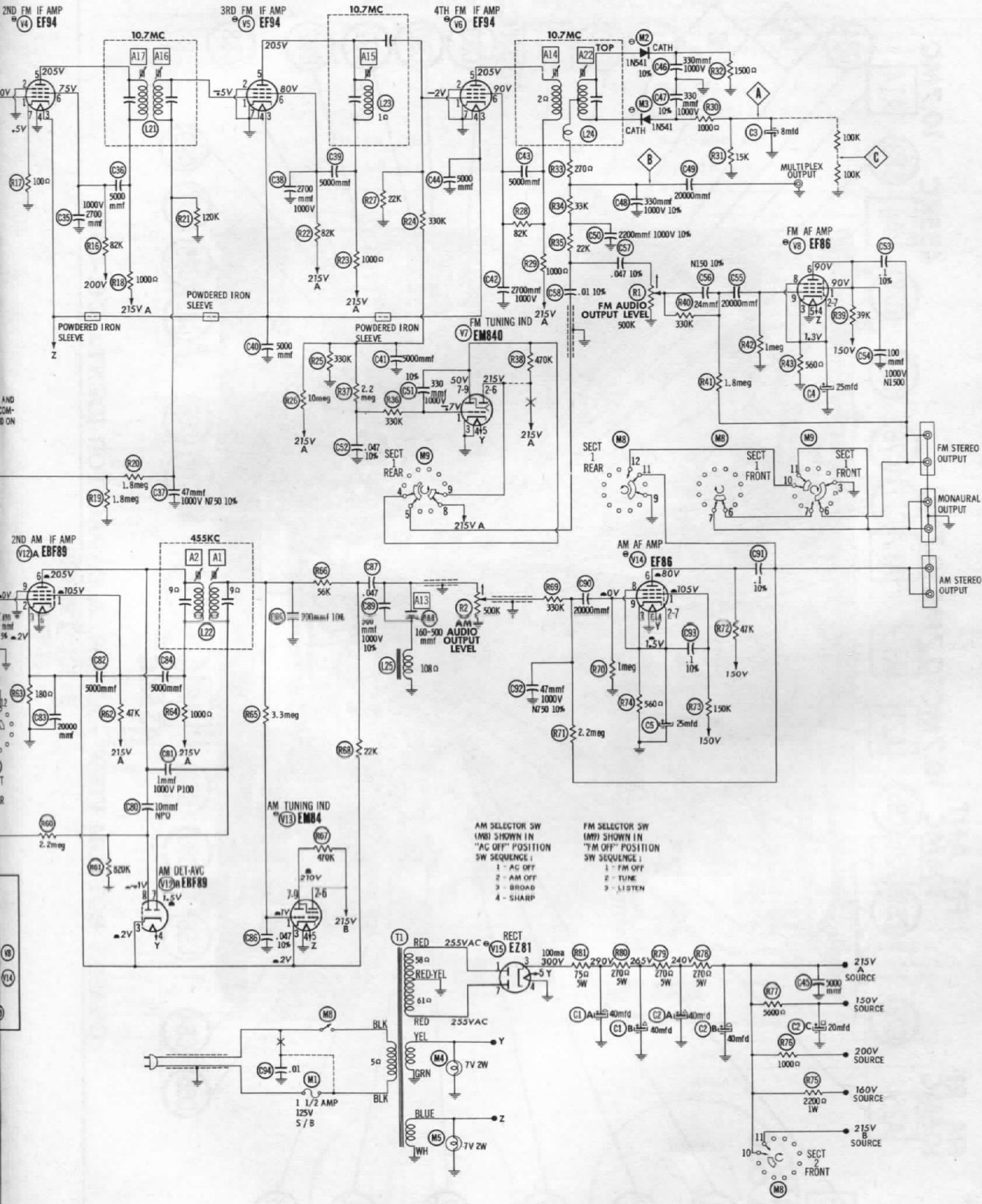
ITEM	TUBE	Pin 1	Pin 2	Pin 3	Pin 4	Pin 5	Pin 6	Pin 7	Pin 8	Pin 9
V1	ECC88 6DJ8	11900Ω	230K	1M	0Ω	.1Ω	1M	1.1meg	120Ω	0Ω
V2	ECC85	13100Ω	2200Ω	0Ω	.1Ω	0Ω	14100Ω	470K	.1Ω	0Ω
V3	EF94 6AU6	1meg	0Ω	.1Ω	0Ω	11900Ω	183K	100Ω		
V4	EF94 6AU6	.7Ω	0Ω	.1Ω	0Ω	11900Ω	183K	100Ω		
V5	EF94 6AU6	120K	0Ω	.1Ω	0Ω	11900Ω	183K	0Ω		
V6	EF94 6AU6	22K	0Ω	.1Ω	0Ω	11900Ω	183K	0Ω		
V7	EM840	2.7meg	900Ω	0Ω	0Ω	.1Ω	1900Ω	1470K	1900Ω	1470K
V8	EF86 6Z6	145K	560Ω	560Ω	.1Ω	0Ω	145K	560Ω	560Ω	1meg
V9	6BJ6	1.4meg	100Ω	.1Ω	0Ω	11900Ω	148K	0Ω		
V10	EK90 6BE6	22K	.5Ω	.1Ω	0Ω	11900Ω	123K	3meg		
V11	6BJ6	2meg	100Ω	.1Ω	0Ω	11900Ω	184K	0Ω		
V12	EF89	148K	58Ω	180Ω	.1Ω	0Ω	11900Ω	78K	250K	0Ω
V13	EM84	3.2meg	1900Ω	180Ω	0Ω	.1Ω	1900Ω	470K	NC	470K
V14	EF86 6Z6	1155K	560Ω	560Ω	.1Ω	0Ω	153K	560Ω	560Ω	1meg
V15	EZ81 6CA4	58Ω	NC	1Ω	0Ω	.1Ω	NC	61Ω	NC	NC

ALL MEASUREMENTS TAKEN IN "FM" POSITION UNLESS OTHERWISE DESIGNATED.
 Ω MEASURED IN "AM" POSITION.
 † THIS READING WILL VARY DEPENDING UPON THE CONDITION OF THE ELECTROLYTIC IN THE CIRCUIT.
 ‡ MEASURED FROM PIN 3 OF V15
 † MEASURED FROM PIN 3 OF V1
 NC NO CONNECTION



- DC voltage measurements taken with vacuum tube voltmeter; AC voltages measured at 1000 ohms per volt.
- Socket connections are shown as bottom views.
- Measured values are from socket pin to common negative.
- Line voltage maintained at 117 volts for voltage readings.
- Nominal tolerance on component values makes possible a variation of ±1% in voltage and resistance readings.
- Volume control at maximum, no signal applied for voltage measurements.

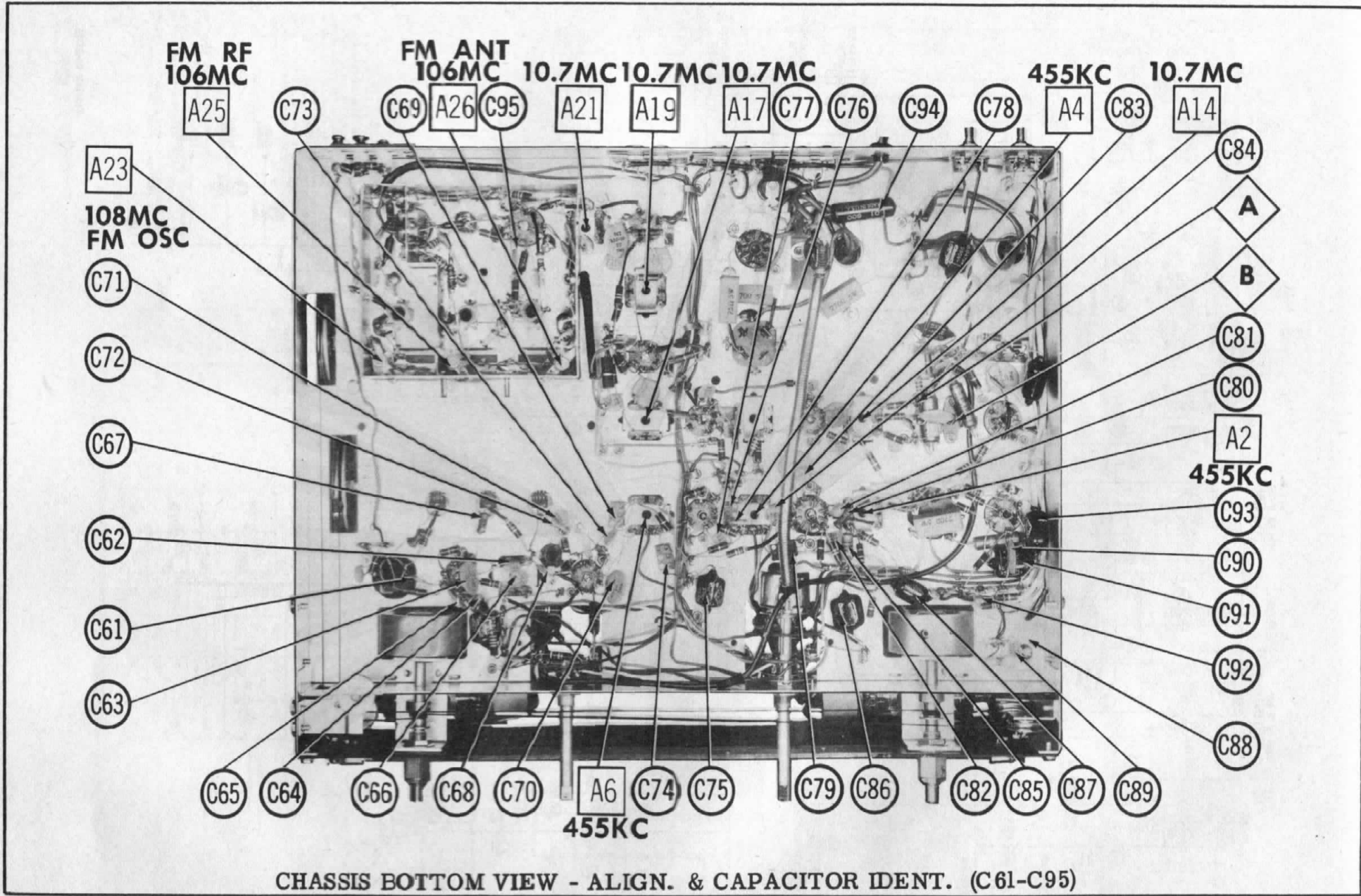
SEE PARTS LIST FOR ALTERNATE VALUE OR APPLICATION
 DC COIL RESISTANCE VALUES UNDER ONE OHM NOT SHOWN ON SCHEMATIC DIAGRAM
 ARROWS ON CONTROLS INDICATE CLOCKWISE ROTATION (CONTROL VIEWED FROM SHAFT END)



AM SELECTOR SW (M8) SHOWN IN "AC OFF" POSITION
SW SEQUENCE:
1 - AC OFF
2 - AM OFF
3 - BROAD
4 - SHARP

FM SELECTOR SW (M9) SHOWN IN "FM OFF" POSITION
SW SEQUENCE:
1 - FM OFF
2 - TUNE
3 - LISTEN

FISHER MODEL 1Q1-R



CHASSIS BOTTOM VIEW - ALIGN. & CAPACITOR IDENT. (C61-C95)

FISHER
MODEL 101-R

ALIGNMENT INSTRUCTIONS

ALIGNMENT INSTRUCTIONS—READ CAREFULLY BEFORE ATTEMPTING ALIGNMENT

Volume control should be at maximum position. Output of signal generator should be no higher than necessary to obtain an output reading. Suggested alignment tools:

- A1 thru A6, A15 thru A21.....GENERAL CEMENT #5097, 8727
WALSCO #2515
- A7, A8, A9.....GENERAL CEMENT #5004, 5008, 5009
WALSCO #2520
- A10 thru A13.....GENERAL CEMENT #8271, 8273, 8275, 8276, 8721, 8722, 9150, 9298, 5003
WALSCO #2516, 2519
- A14, A22, A24, A28.....GENERAL CEMENT #8606, 8606L, 8282, 9295
WALSCO #2526, 2543, 2544, 2545
- A23, A25, A26, A27.....GENERAL CEMENT #5000, 5003, 8276, 8290
WALSCO #2512, 2525

AM ALIGNMENT

DUMMY ANTENNA	SIGNAL GENERATOR COUPLING	SIGNAL GENERATOR FREQUENCY	BAND SWITCH POS.	RADIO DIAL SETTING	OUTPUT METER	ADJUST	REMARKS
1. .01mfd.	High side to pin 7 (grid) of 6BE6 (V10). Low side to chassis.	455KC (400 ν Mod.)	AM (Sharp)	Point of non-interference	Across AM output jack	A1, A2, A3, A4, A5, A6	Adjust for maximum output.
2. 200mmf.	High side to AM antenna terminal. Low side to chassis.	1600KC	"	1600KC	"	A7, A8, A9	"
3. "	"	600KC	"	600KC	"	A10, A11, A12	"
4. "	High side to pin 2 (grid) of 6BF89 (V12). Low side to chassis.	10KC	"	"	"	A13	Adjust for <u>MINIMUM</u> output.

FM IF ALIGNMENT USING AM SIGNAL GENERATOR & VTVM

Connect two matched 100K ($\pm 1\%$) resistors in series from point \diamond to chassis. The junction of these two resistors is alignment point \diamond as shown on the schematic.

DUMMY ANTENNA	SIGNAL GENERATOR COUPLING	SIGNAL GENERATOR FREQUENCY	BAND SWITCH POS.	RADIO DIAL SETTING	CONNECT VTVM	ADJUST	REMARKS
5. .01mfd.	High side to pin 7 (grid) of 6AQ8 (V2). Low side to chassis.	10.7MC (Unmod.)	FM	Point of non-interference	DC probe to point \diamond . Common to chassis.	A14, A15, A16, A17, A18, A19, A20, A21	Adjust for maximum deflection.
6. "	"	"	"	"	DC probe to point \diamond . Common to point \diamond .	A22	Adjust for zero reading. A positive and negative reading will be obtained on either side of the correct setting.

FM IF ALIGNMENT USING FM SIGNAL GENERATOR & OSCILLOSCOPE

Use frequency modulated signal with 60% modulation and 450KC sweep. Use 120 ν sawtooth voltage in scope for horizontal deflection.

DUMMY ANTENNA	SIGNAL GENERATOR COUPLING	SIGNAL GENERATOR FREQUENCY	BAND SWITCH POS.	RADIO DIAL SETTING	CONNECT SCOPE	ADJUST	REMARKS
5. .01mfd.	High side to pin 7 (grid) of 6AQ8 (V2). Low side to chassis.	10.7MC (Unmod.)	FM	Point of non-interference	Vert. amp to point \diamond . Low side to Chassis.	A14, A15, A16, A17, A18, A19, A20, A21	Disconnect stabilizing capacitor C3. Adjust for curve of maximum amplitude and symmetry similar to Fig. 1.
6. "	"	"	"	"	Vert. amp. to point \diamond . Low side to chassis.	A22	Reconnect stabilizing capacitor C3. Adjust so that 10.7MC occurs at center of crossover lines similar to Fig. 2. SLIGHTLY retouch A14 for maximum amplitude and straightness of crossover lines.

FM RF ALIGNMENT

DUMMY ANTENNA	SIGNAL GENERATOR COUPLING	SIGNAL GENERATOR FREQUENCY	BAND SWITCH POS.	RADIO DIAL SETTING	CONNECT VTVM	ADJUST	REMARKS
7. Two 120 Ω Carbon Resistors	Across FM antenna terminals with 120 Ω in each lead.	108MC (45KC Swp.)	FM	108MC	DC probe to point \diamond . Common to chassis.	A23	Adjust for maximum deflection.
8. "	"	88MC	"	88MC	"	A24	"
9. "	"	106MC	"	106MC	"	A25, A26	"
10. "	"	90MC	"	90MC	"	A27, A28	"

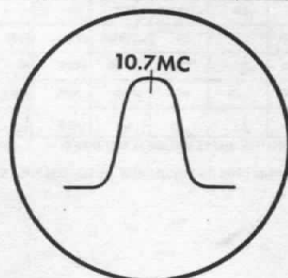


FIG. 1

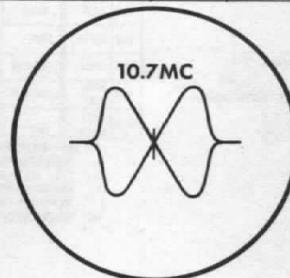
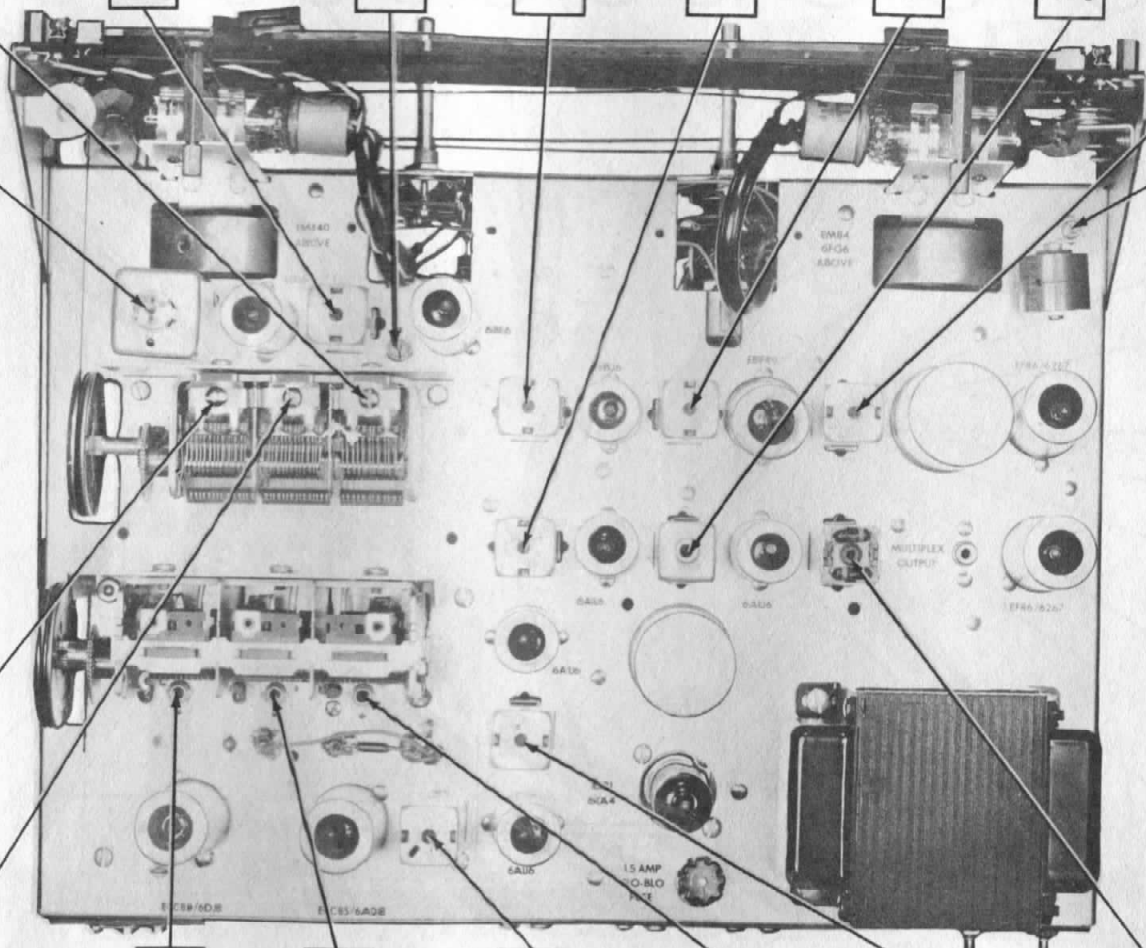


FIG. 2

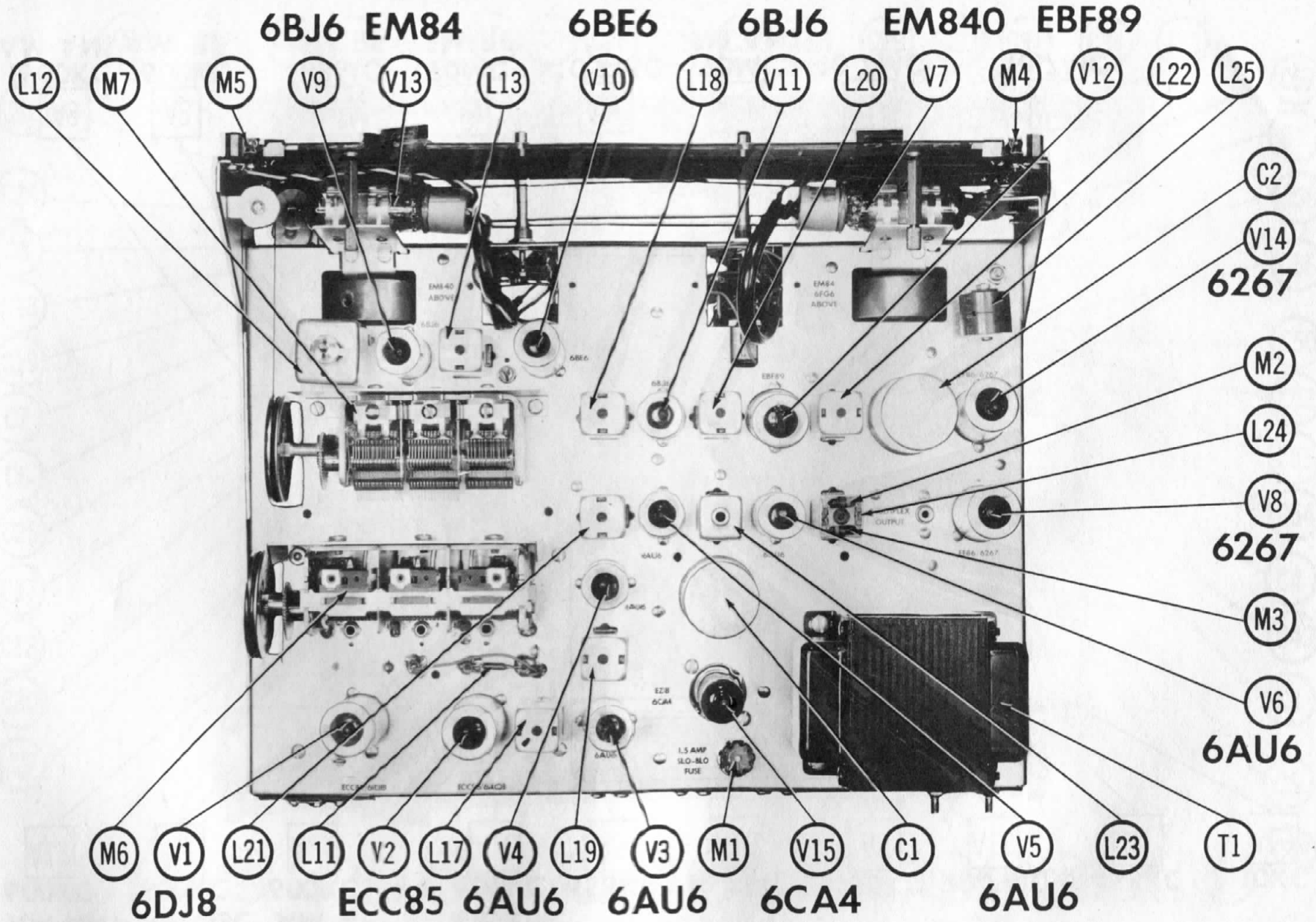
AM ANT 600KC A12
 AM OSC 1600KC A7
 AM RF 600KC A11
 AM OSC 600KC A10
 AM OSC 455KC A5
 10.7MC A16
 455KC A3
 10.7MC A15
 455KC A1
 10KC A13



1600KC AM ANT A9
 1600KC AM RF A8
 88MC FM RF A24
 90MC FM RF A27
 10.7MC A20
 90MC FM ANT A28
 10.7MC A18
 10.7MC A22

CHASSIS TOP VIEW - ALIGNMENT IDENT.

FISHER
MODEL 101-R



CHASSIS TOP VIEW - TUBE, INDUCTOR, MISC. & CAPACITOR IDENT.

PARTS LIST AND DESCRIPTIONS

TUBES (GENERAL ELECTRIC, SYLVANIA)

ITEM No.	USE	TYPE	ITEM No.	USE	TYPE
V1	FM RF Amplifier	ECC88/6DJ8	V9	AM RF Amplifier	6EJ6
V2	FM Mixer-FM Osc.	ECC85/6AQ8	V10	AM Converter	EK90/6BE6
V3	1st FM IF Amplifier	EF94/6AU6	V11	1st AM IF Amplifier	6EJ6
V4	2nd FM IF Amplifier	EF94/6AU6	V12	2nd AM IF Amp. -AM Det. -AVC	EBF89
V5	3rd FM IF Amplifier	EF94/6AU6	V13	AM Tuning Indicator	EM84/6PG6
V6	4th FM IF Amplifier	EF94/6AU6	V14	AM AF Amplifier	EF86/6J5T
V7	FM Tuning Indicator	EM840	V15	Rectifier	EZ81/6CA4
V8	FM AF Amplifier	EF86/6J5T			

ELECTROLYTIC CAPACITORS

ITEM No.	RATING		REPLACEMENT DATA						NOTES
	CAP.	VOLT.	FISHER PART No.	AEROVOX PART No.	CORNELL-DUBILIER PART No.	MALLORY PART No.	PYRAMID PART No.	SPRAGUE PART No.	
C1A	40	350	C684-122	AFH3-11	D0032	FP176	TMD-31	TVL8-2764. 1*	
B	40	300				TC78			
C2A	40	300	C684-119	AFH4-02	D0020	FP217.28	TMD-31	TVL8-3580. 1*	
B	40	300				TC55			
C	20	250							
C3	8	50	C629-138	PRS150V8	BBR8-150	TC41	TD-8-150	TVA-1405	
C4	25	6	C639-114	SRE6V25	BBR25-6	TT6X25	TD-25-25	TVA-1205	
C5	25	6	C639-114	SRE6V25	BBR25-6	TT6X25	TD-25-25	TVA-1205	

* Not normally in distributor's stock. Available thru distributor on order to manufacturer.

FIXED CAPACITORS

Capacity values given in the rating column are in mfd. for Paper Capacitors, and in mmfd. for Mica and Ceramic Capacitors.

ITEM No.	RATING			REPLACEMENT DATA						NOTES
	CAP.	VOLT.	TOL.	FISHER PART No.	AEROVOX PART No.	CORNELL-DUBILIER PART No.	MALLORY PART No.	SPRAGUE PART No.		
C6	8		NPO ±.5mmf	CC20CJ080D5				STCCB-V8S±.5mmf*		
C7				C662-123						
C8	100	1000	N1500 10%	C50070-6						
C9	100	1000	N1500 10%	C50070-6						
C10	1000			C592-187	EF-001	MFT-1000		501C-D1		
C11	1000			C592-187	EF-001	MFT-1000		501C-D1		
C12	1000			C592-187	EF-001	MFT-1000		501C-D1		
C13	1000			C592-187	EF-001	MFT-1000		501C-D1		
C14	1000		10%	C50072-3	BPD-001		BYA10D5	5GA-D18 10%* ①		
C15	1000			C592-187	EF-001	MFT-1000		501C-D1		
C16	1000			C592-187	EF-001	MFT-1000		501C-D1		
C17				C662-123						
C18	5		NPO ±.5mmf	CC20CJ050D5	NPO-S15			STCCB-V5S±.5mmf*		
C19	68		N750 10%	CC20UJ680K5	N750-DI 68	TCN-68	CTA6Q3E	STCU-Q68S 10%*		
C20	120		N1500 10%	C50070-9						
C21	24	1000	N150 5%	C50070-8						
C22	5		NPO 10%							
C23	47		N750 10%	C50070-4	NPO-SI 5		C10V5C	STCCB-V5S 10%* ②		
C24	100	1000	N1500 10%	C50070-6			CTA6Q4U	STCU-947S 10%*		
C25	100	1000	N1500 10%	C50070-6						
C26	5000			C50089-1	BPD-005	DD-502	BYA10D5	B-250		
C27	10		N220 ±.5mmf	CC20RH100D5				5HK-D5		
C28				C662-123						
C29	1000			C50072-3	BPD-001	DD-102	BYA10D5	E-210		
C30	1000			C592-187	EF-001	MFT-1000		5HK-D1		
C31	20000			C50089-4	BPD-02	DD-203	BYB6S1	B-120		
C32	5		NPO 10%				C10V5C	5GA-S2		
C33	2700	1000		C50071-5	DD-272	BYA10D27	E-127	STCCB-V5S 10%* ②		
C34	5000			C50089-1	BPD-005	DD-502	BYA10D5	E-250		
C35	2700	1000		C50071-5	DD-272	BYA10D27	E-127	10HKB-D27S*		
C36	5000			C50089-1	BPD-005	DD-502	BYA10D5	E-250		
C37	47	1000	N750 10%	C50070-4				5HK-D5		
C38	2700	1000		C50071-5	DD-272	BYA10D27	E-127	CNT-447		
C39	5000			C50089-1	BPD-005	DD-502	BYA10D5	E-250		

PAGE 11

FOLDER 8

CAPACITORS (cont)

ITEM No.	RATING			REPLACEMENT DATA						NOTES
	CAP.	VOLT.	TOL.	FISHER PART No.	AEROVOX PART No.	CENTRALAB PART No.	CORNELL-DUBILIER PART No.	MALLORY PART No.	SPRAGUE PART No.	
C40	5000			C50089-1	BPD-005	DD-502	BYA10D5	B-250	5HK-D5	
C41	5000			C50089-1	BPD-005	DD-502	BYA10D5	B-250	5HK-D5	
C42	2700	1000		C50071-5		DD-272	BYA10D27	B-227	10HKB-D27S*	
C43	5000			C50089-1	BPD-005	DD-502	BYA10D5	B-250	5HK-D5	
C44	5000			C50089-1	BPD-005	DD-502	BYA10D5	B-250	5HK-D5	
C45	5000			C50089-1	BPD-005	DD-502	BYA10D5	B-250	5HK-D5	
C46	330	1000	10%	C50072-1		DD-502	BYA10D5	B-250	5HK-D5	
C47	330	1000	10%	C50072-1		DD-502	BYA10D5	B-250	5HK-D5	
C48	330	1000	10%	C50072-1		DD-502	BYA10D5	B-250	5HK-D5	
C49	20000			C50089-4	BPD-02	DD-203	BYB6S2	B-120	5GA-S2	
C50	2200	1000	10%	C50072-5		DD-202	BYB6S2	B-120	10HKB-D22	
C51	330	1000	10%	C50072-5		DD-202	BYB6S2	B-120	10GAB-T33S 10%*	
C52	.047	250	10%	C50072-1		DD-202	BYB6S2	B-120	10GAB-T33S 10%*	
C53	.1	250	10%	C50072-1		DD-202	BYB6S2	B-120	10GAB-T33S 10%*	
C54	100	1000	N1500	C50074-28					4TM-S47S 10%*	
C55	20000			C50074-28					4TM-PIS 10%*	
C56	24		N150 10%	C50089-4	BPD-02	DD-203	BYB6S2	B-120	5GA-S2	
C57	.047	250	10%	C50074-27					4TM-S47S 10%*	
C58	.01	250	10%	C50074-25					4TM-S15 10%*	
C59	24		N150 10%	C50070-8						
C60	10		NPO	CC20CH100G5	NPO-SI 10	TCZ-10	CTA6Q1C	CNO-410	5TCC-Q1	
C61	100	1000	N1500	C50070-5						
C62	.68			C50077-6N						
C63	20000			C50089-4	BPD-02	DD-203	BYB6S2	B-120	5GA-S2	
C64	5000			C50089-1	BPD-005	DD-502	BYA10D5	B-250	5HK-D5	
C65	20000			C50089-4	BPD-02	DD-203	BYB6S2	B-120	5GA-S2	
C66	47	1000	N750 10%	C50070-4						
C67	10		NPO	CC20CH100G5	NPO-SI 10	TCZ-10	CTA6Q1C	CNO-410	5TCC-Q1	
C68	100	1000	N1500	C50070-5						
C69	470		5%	C3334						
C70	20000			C50089-4		1464-00047		5R5T47	MS-347	
C71	100	1000	N1500	C50079-5	BPD-02	DD-203	BYB6S2	B-120	5GA-S2	
C72	10		N1500±.5mmf	CC20VK100D5						
C73	5000			C50089-1	BPD-005	DD-502	BYA10D5	B-250	5HK-D5	
C74	470		5%	C3334						
C75	.047	250	10%	C50074-27		1464-00047		5R5T47	MS-347	
C76	470		5%	C3334						
C77	5000			C50089-1	BPD-005	DD-502	BYA10D5	B-250	5HK-D5	
C78	5000			C50089-1	BPD-005	DD-502	BYA10D5	B-250	5HK-D5	
C79	470		5%	C3334						
C80	10		NPO	CC20CH100G5	NPO-DI 10	TCZ-10	CTA6Q1C	CNO-410	5TCC-Q1	
C81	1	1000	P100	C50070-1						
C82	5000			C50089-1	BPD-005	DD-502	BYA10D5	B-250	5HK-D5	
C83	20000			C50089-4	BPD-02	DD-203	BYB6S2	B-120	5GA-S2	
C84	5000			C50089-1	BPD-005	DD-502	BYA10D5	B-250	5HK-D5	
C85	220		10%	CC21GP221K5	BPD-005	DD-502	BYA10D5	B-250	5HK-D5	
C86	.047	250	10%	C50074-27	DI-220	MD-221	LI0T22	JL-322	5GA-T22S 10%*	
C87	.047	250	10%	C50074-27					4TM-S47S 10%*	
C88	160-500			C629-151-5					4TM-S47S 10%*	
C89	560	1000	10%	C50072-14						
C90	20000			C50089-4	BPD-02	DD-203	BYB6S2	B-120	10GAB-T56S 10%*	
C91	.1	250	10%	C50074-28					5GA-S2	
C92	47	1000	N750 10%	C50070-4					4TM-PIS 10%*	
C93	.1	250	10%	C50074-28						
C94	.01	600		C2747	P688N-01	D6-103	CUB6S1	GEM-611	4TM-PIS 10%*	
C95	1000			C592-187	EF-001	MFT-1000			6TM-S1	

① Some versions may use 5000mmf in this application (Part #C50089-1).

② Not used in some versions.

* Not normally in distributor's stock. Available thru distributor on order to manufacturer.

CONTROLS

ITEM No.	RATING		REPLACEMENT DATA				INSTALLATION NOTES
	RESISTANCE	WATTS	FISHER PART No.	CENTRALAB PART No.	CLAROSTAT PART No.	IRC PART No.	
R1	500K	1/2	R520-139	JP-504			
R2	500K	1/2	R520-139	JP-504			FM Audio Output Level AM Audio Output Level

FISHER MODEL 101-R

PARTS LIST & DESCRIPTION (continued)

RESISTORS

All wattages 1/2 watt, or less, unless otherwise listed.

ITEM No.	RATING		FISHER PART No.	NOTES	ITEM No.	RATING		FISHER PART No.	NOTES
	OHMS	WATT				OHMS	WATT		
R3	270Ω		RC20BF271K		R43	560Ω		RC20BF561K	
R4	100K		RC20BF104K		R44	1000Ω		RC20BF102K	
R5	330K		RC20BF334K		R45	4.7Ω		RC20BF477K	
R6	330K		RC20BF334K		R46	1.8meg		RC20BF185K	
R7	120Ω		RC20BF121K	①	R47	4.7meg		RC20BF475K	
R8	470K		RC20BF474K		R48	47K		RC20BF473K	
R9	2200Ω		RC20BF222K		R49	100Ω		RC20BF101K	
R10	22Ω		RC20BF220K		R50	1000Ω		RC20BF102K	
R11	1000Ω		RC20BF102K		R51	4.7Ω		RC20BF477K	
R12	47K		RC20BF473K		R52	820K		RC20BF824K	
R13	82K		RC20BF823K		R53	22K	1	RC20BF223K	②
R14	100Ω		RC20BF101K		R54	22K		RC20BF223K	
R15	1000Ω		RC20BF102K		R55	100Ω		RC20BF101K	
R16	82K		RC20BF823K		R56	1000Ω		RC20BF102K	
R17	100Ω		RC20BF101K		R57	82K		RC20BF823K	
R18	1000Ω		RC20BF102K		R58	100Ω		RC20BF101K	
R19	1.8meg		RC20BF185K		R59	1000Ω		RC20BF101K	
R20	1.8meg		RC20BF185K		R60	2.2meg		RC20BF225K	
R21	120K		RC20BF124K		R61	820K		RC20BF824K	
R22	82K		RC20BF823K		R62	47K		RC20BF473K	
R23	1000Ω		RC20BF102K		R63	180Ω		RC20BF181K	
R24	330K		RC20BF334K		R64	1000Ω		RC20BF102K	
R25	330K		RC20BF334K		R65	3.3meg		RC20BF335K	
R26	10meg		RC20BF106K		R66	56K		RC20BF563K	
R27	22K		RC20BF223K		R67	470K		RC20BF474K	
R28	82K		RC20BF823K		R68	22K		RC20BF223K	
R29	1000Ω		RC20BF102K		R69	330K		RC20BF334K	
R30	1000Ω		RC20BF102K		R70	1meg		RC20BF105K	
R31	15K		RC20BF153K		R71	2.2meg		RC20BF225K	
R32	1500Ω		RC20BF152K		R72	47K		RC20BF473K	
R33	270Ω		RC20BF271K		R73	150K		RC20BF154K	
R34	33K		RC20BF333K		R74	560Ω		RC20BF561K	
R35	22K		RC20BF223K		R75	2200Ω	1	RC20BF222K	
R36	330K		RC20BF334K		R76	1000Ω		RC20BF102K	
R37	2.2meg		RC20BF225K		R77	5600Ω		RC20BF562K	
R38	470K		RC20BF474K		R78	270Ω	5	R884-141	
R39	39K		RC20BF393K		R79	270Ω	5	R884-141	
R40	330K		RC20BF334K		R80	270Ω	5	R884-141	
R41	1.8meg		RC20BF185K		R81	75Ω	5	R884-140	
R42	1meg		RC20BF105K						

① Some versions may use 1200Ω in this application (Part #RC20BF122K).
 ② Some versions may use 33K in this application (Part #RC20BF333K).

COILS (RF-IF)

ITEM No.	USE	REPLACEMENT DATA					NOTES
		FISHER PART No.	Gramer PART No.	Meissner PART No.	Merit PART No.	Miller PART No.	
L1	FM Ant. Coil	L50066-8					3.3uh
L2	FM Ant. Trans.	L662-124					
L3	Fl. Choke	L50066-3	19-1000	19-1000	BC-551	4602	1.2uh
L4	RF Choke	L50066-3	19-1000	19-1000	BC-551	4602	1.2uh
L5	Cathode Choke	L50066-19					.56uh
L6	RF Choke	L50066-19					3 turns on 100Ω
L7	RF Choke	L629-180					
L8	FM RF Coil	L662-125					
L9	FM Osc. Coil	L662-126					
L10	RF Choke	L50066-3	19-1000	19-1000	BC-551	4602	1.2uh
L11	RF Choke	L50066-3	19-1000	19-1000	BC-551	4602	1.2uh
L12	AM Ant. Trans.	L629-171					
L13	AM RF Coil	L556-125 ①					
L14	AM Osc. Coil	L550-122	14-1055	14-1055		70-QSC*	*Disregard tap
L15	RF Choke	L50066-3	19-1000	19-1000	BC-551	4602	
L16	Cathode Choke	L50066-19					.56uh
L17	1st FM IF Trans.	ZZ662-117	16-3490*	16-3490*		1463-PC*	*Remove C32
L18	1st AM IF Trans.	ZZ509-132					
L19	2nd FM IF Trans.	ZZ629-142	16-3487	16-3487	FM-154	1463	
L20	2nd AM IF Trans.	ZZ509-132					

COILS (cont)

ITEM No.	USE	REPLACEMENT DATA					NOTES
		FISHER PART No.	Gramer PART No.	Meissner PART No.	Merit PART No.	Miller PART No.	
L21	1st FM IF Trans.	ZZ629-142	16-3487	16-3487	FM-254	1463	
L22	1st AM IF Trans.	ZZ296-4	16-8758	16-8758	BC-353	12-C2	
L23	FM Limiter	L670-145					
L24	Ratio Detector	ZZ592-170					
L25	IDC Filter	L644-120					295MH

① Alternate Part #L670-151

TRANSFORMER (POWER)

ITEM No.	RATING	REPLACEMENT DATA					
		FISHER PART No.	Halldarson PART No.	Merit PART No.	Ram PART No.	Stancor PART No.	Thordarson PART No.
T1	117V @ .74A 510 VCT @ .100A 6.3V @ 2.5A 6.3V @ 2.6A	T684-124					

FUSES

ITEM No.	TYPE	RATING	REPLACEMENT DATA					
			FISHER PART No.		LITTELFUSE PART No.		BUSS PART No.	
			FUSE	HOLDER	FUSE	HOLDER	FUSE	HOLDER
M1	3AG	1½A 125V S/B	F684-143		31301.5 (1½A 125V S/B)	342012	MDL 1½	HKP-CC

CRYSTAL DIODES

ITEM No.	ORIG. TYPE	REPLACEMENT DATA			NOTES
		FISHER PART No.	CBS PART No.	SYLVANIA PART No.	
M2	1N541*		1N636	1N295	FM Detector (Pigtail)
M3	1N541*		1N636	1N295	FM Detector (Pigtail) Matched

* Some versions may use 1N542 in this application (Part #V-1N542).

MISCELLANEOUS

ITEM No.	PART NAME	FISHER PART No.	NOTES
M4	Lamp	150082	7V, 2W
M5	Lamp	150082	7V, 2W
M6	Tuning Cap.	C662-113	FM, 3 Gang
M7	Tuning Cap.	C684-127	AM, 3 Gang (Ant. 10-505mmf, RF. 10-503mmf, Osc. 7-138mmf)
M8	Switch	S684-123	AM Selector (4 Position, Rotary Wafer Type)
M9	Switch	S684-120	Includes Power On-Off (SPST, Snap Type)
			FM Selector (3 Position, Rotary Wafer Type)

WIRING DATA

General-use Unshielded Hook-up Wire	Use BELDEN No. 8530 (Solid) Available in Ten Colors
Power Cord	8524 (Stranded) Available in Ten Colors
	1765-B (6 Ft. Length)
	1725-K (7½ Ft. Length)