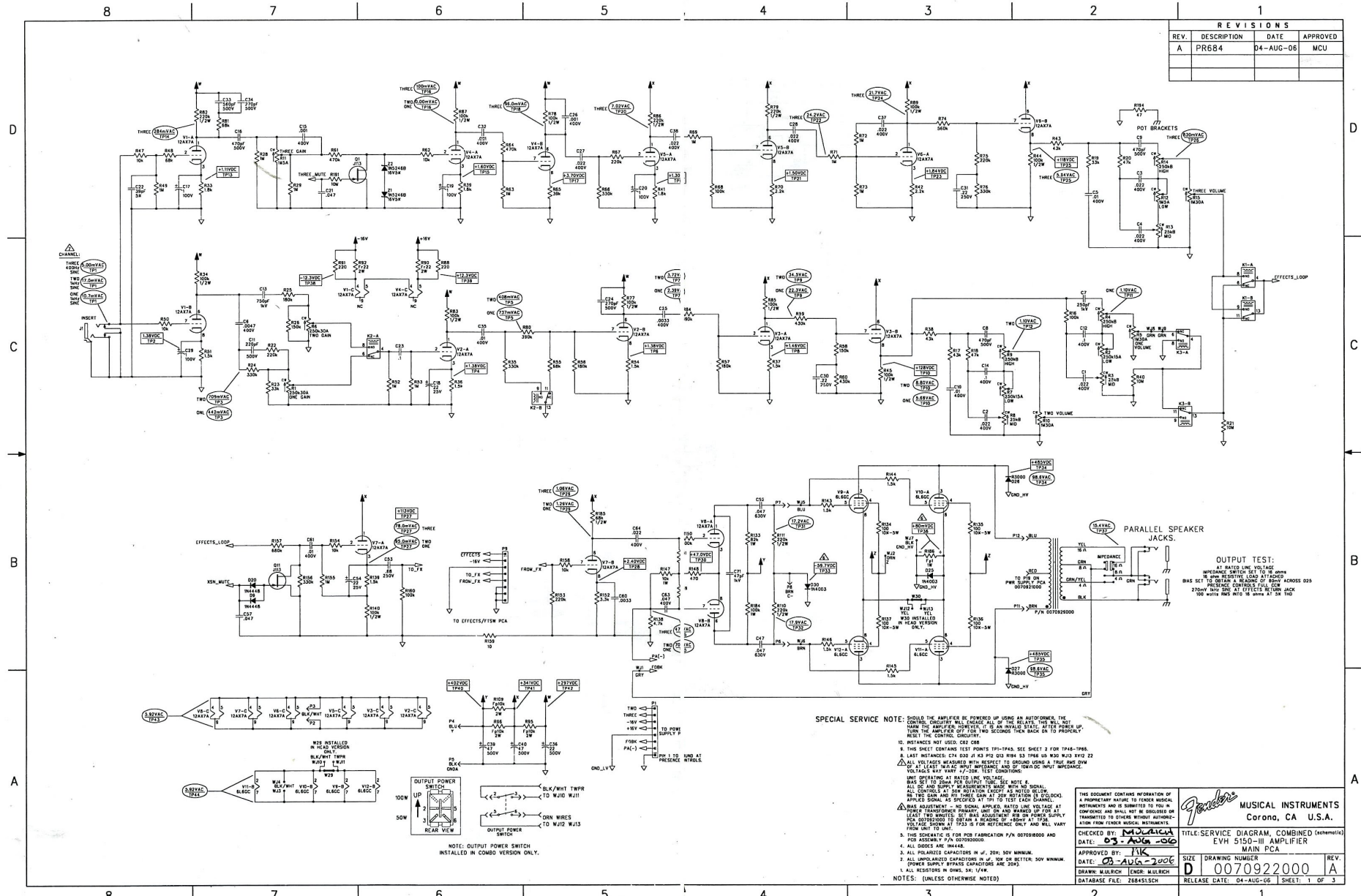


REVISIONS			
REV.	DESCRIPTION	DATE	APPROVED
A	PR684	04-AUG-06	MCU



OUTPUT TEST:
 ALL BATED LINE VOLTAGE
 WINDING SWITCH SET TO 8 OHMS
 8 OHMS RESISTOR LOAD ATTACHED
 W/ 500V VOLTAGE METER
 PRESENCE CONTROL FUSE COX
 100V 500mA AT TESTER'S JAW
 270V 100V W/ 500V 100V 500V 100V

SPECIAL SERVICE NOTE: SHOULD THE AMPLIFIER BE POWERED UP USING AN AUTOTRANSFORMER, THE CONTROL POTENTIOMETER MUST BE ADJUSTED TO THE CENTER POSITION TO PREVENT THE AMPLIFIER FROM BEING DAMAGED. THE AMPLIFIER SHOULD BE POWERED UP USING THE CONTROL POTENTIOMETER SET TO THE CENTER POSITION TO PREVENT THE AMPLIFIER FROM BEING DAMAGED.

1. INSTANCES NOT USED, USE CSE
 2. THIS SHEET CONTAINS TEST POINTS TP1-TP43, SEE SHEET 2 FOR TP48-TP68.
 3. LAMP INSTANCES: 274 024 013 P10 P12 P13 P14 P15 P16 P17 P18 P19 P20 P21 P22
 4. ALL VOLTAGES MEASURED WITH RESPECT TO GROUND USING A TRUE RMS ZIM
 5. AT LEAST 100V AC VOLTAGE MEASUREMENTS OF OPERATING WINDING IMPEDANCE
 VOLTAGE MAY VARY 1/2-1/3% TEST CONDITIONS
 6. WINDING IMPEDANCE AT 100V AC VOLTAGE
 7. ALL DC AND SUPPLY MEASUREMENTS MADE WITH 100 OHMS
 8. ALL CONTROLS AT CENTER POSITION EXCEPT AS NOTED OTHERWISE
 9. TWO OHMS AND TWO THREE OHMS GAP AT 20V TEST POINT (2, 3, 4, 5, 6, 7, 8, 9, 10, 11, 12, 13, 14, 15, 16, 17, 18, 19, 20, 21, 22, 23, 24, 25, 26, 27, 28, 29, 30, 31, 32, 33, 34, 35, 36, 37, 38, 39, 40, 41, 42, 43, 44, 45, 46, 47, 48, 49, 50, 51, 52, 53, 54, 55, 56, 57, 58, 59, 60, 61, 62, 63, 64, 65, 66, 67, 68, 69, 70, 71, 72, 73, 74, 75, 76, 77, 78, 79, 80, 81, 82, 83, 84, 85, 86, 87, 88, 89, 90, 91, 92, 93, 94, 95, 96, 97, 98, 99, 100)
 10. WINDING IMPEDANCE MEASUREMENTS SHOULD BE MADE WITH THE AMPLIFIER POWERED UP AND WINDING UP FOR AT LEAST 100 WINDS. SET WINDING IMPEDANCE MEASUREMENTS TO 100V AC VOLTAGE MEASUREMENTS TO OBTAIN A READING OF 100V AT 100V VOLTAGE MEASUREMENTS.
 11. WINDING IMPEDANCE MEASUREMENTS SHOULD BE MADE WITH THE AMPLIFIER POWERED UP AND WINDING UP FOR AT LEAST 100 WINDS.
 12. THE SCHEMATIC IS FOR PCB FABRICATION P/N 0020580000 AND FOR ASSEMBLY P/N 0020580000.
 13. ALL DIMENSIONS ARE IN INCHES.
 14. ALL DIMENSIONS ARE IN MILLIMETERS.
 15. UNPOLARIZED CAPACITORS IN μ F, 50V OR BETTER, 50V MINIMUM.
 16. POLARIZED CAPACITORS IN μ F, 50V OR BETTER, 50V MINIMUM.
 17. ALL RESISTORS IN OHMS, 5K, 1/4W.
 NOTES: (UNLESS OTHERWISE NOTED)

THIS DOCUMENT CONTAINS INFORMATION OF A PROPRIETARY NATURE TO FENDER MUSICAL INSTRUMENTS AND IS LOANED TO YOU BY COMPANY AND SHALL NOT BE DISCLOSED OR TRANSMITTED TO OTHER WITHOUT AUTHORIZATION FROM FENDER MUSICAL INSTRUMENTS.

DATE: **03-AUG-06** TITLE: SERVICE DIAGRAM, COMBINED (Stereo) EVH 5150-III AMPLIFIER MAIN PCA

APPROVED BY: **JK** SIZE: **D** DRAWING NUMBER: **0070922000** REV. **A**

DATE: **03-AUG-06** DRAWN: **MULDOCH** [ENGR: MULDOCH] RELEASE DATE: **04-AUG-06** SHEET: **1** OF **3**

DATEBASE FILE: 28451538

Fender MUSICAL INSTRUMENTS
 Corona, CA U.S.A.