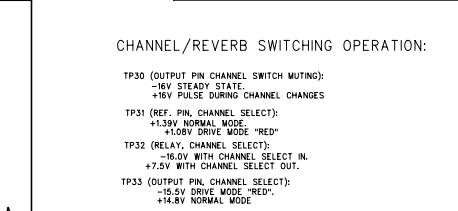
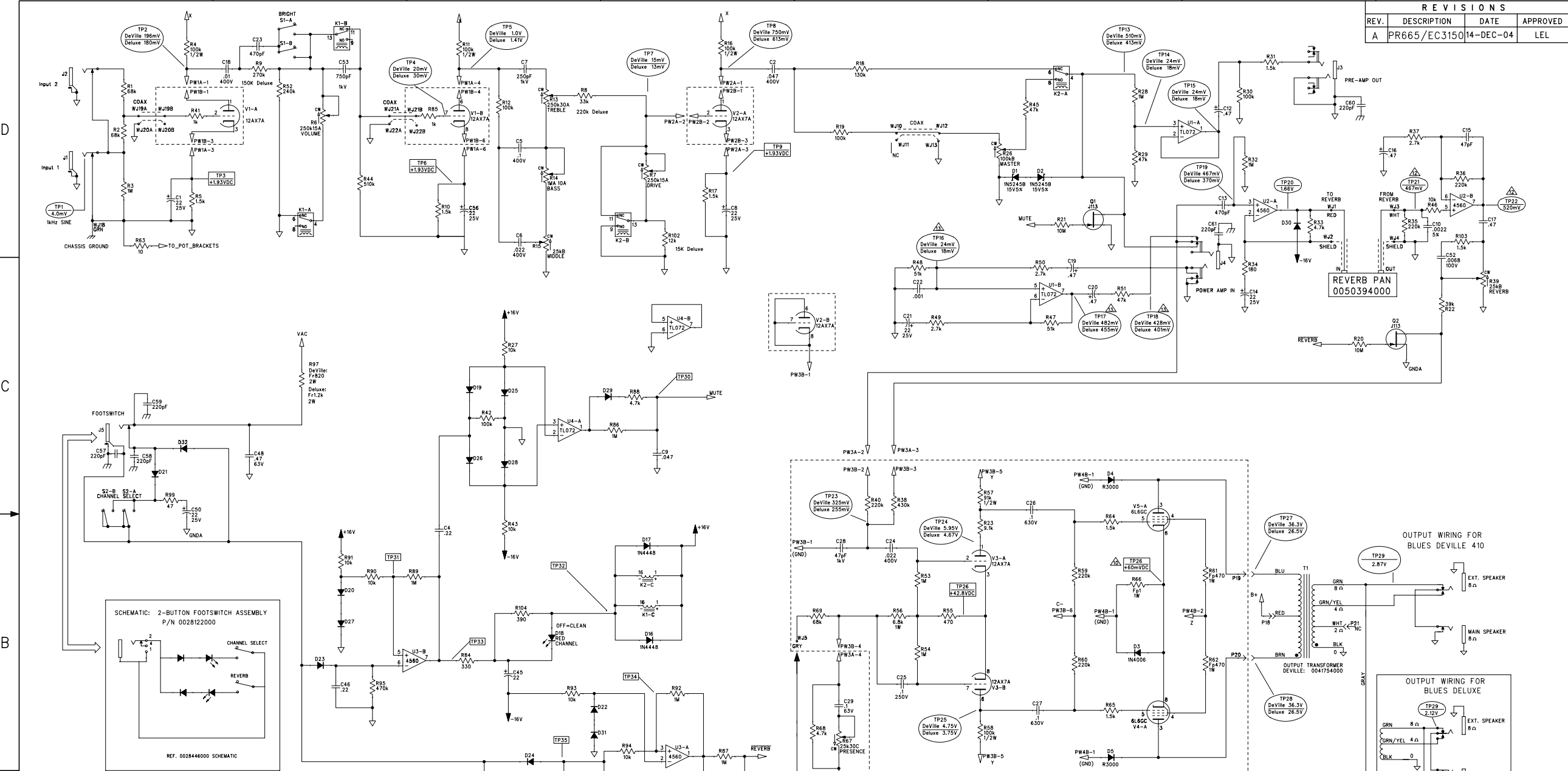


REVISIONS			
REV.	DESCRIPTION	DATE	APPROVED
A	PR665/EC3150	14-DEC-04	LEL



CHANNEL/REVERB SWITCHING OPERATION:

TP30 (OUTPUT PIN CHANNEL SWITCH MUTING):
 -16V STEADY STATE.
 +15V PULSE DURING CHANNEL CHANGES

TP31 (REF. PIN, CHANNEL SELECT):
 +1.9V NORMAL MODE.
 +1.8V DRIVE MODE "RED"

TP32 (RELAY, CHANNEL SELECT):
 +16.0V WITH CHANNEL SELECT IN.
 +7.5V WITH CHANNEL SELECT OUT.

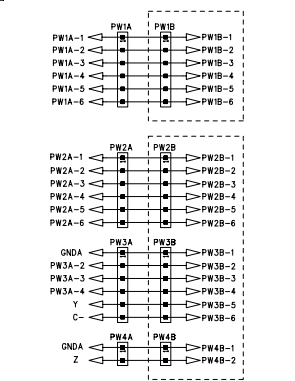
TP33 (OUTPUT PIN, CHANNEL SELECT):
 +15.5V DRIVE MODE "RED".
 +14.8V NORMAL MODE

TP34 (REF. PIN, REVERB ON/OFF):
 -1.04 REVERB OFF.
 -1.35V REVERB ON

TP35 (INPUT PIN, REVERB ON/OFF):
 +0.3V REVERB ON/OFF.
 -2.2 REVERB ON

TP36 (OUTPUT PIN, REVERB ON/OFF):
 +16.5 REVERB OFF.
 -15.6V REVERB ON

NOTE:
 THE FOOTSWITCH OVERRIDES THE FRONT PANEL SWITCHES.



BIAS ADJUSTMENT - NO SIGNAL APPLIED, RATED LINE VOLTAGE AT 72 SET BIAS ADJUST POT R82 TO OBTAIN A READING OF +60mV AT TP47.

9. THE FOLLOWING ITEMS DIFFER IN VALUE BETWEEN THE DEVILLE AND DELUXE PCB ASSEMBLIES: C33, C33, R8, R9, R78, R78, R79, R97 and R102. ALSO, R71 AND R73 ARE STUFFED WITH WIRE JUMPERS IN THE DELUXE PCB ASSY.

10. THE FOLLOWING ITEMS ARE NOT STUFFED IN DELUXE PCB ASSY 0065572000: W1, W2

11. THE FOLLOWING ITEMS ARE NOT STUFFED IN DELUXE PCB ASSY 0065560000: C32, C34, C37, D10, P17, P21, R70-R73, R83, W3, W4

12. THIS SCHEMATIC IS FOR THE FOLLOWING PCB ASSEMBLIES: 0065560000 PCB ASSY BLUES DELUXE REISSUE 0065573000 PCB ASSY BLUES DELUXE REISSUE

13. THIS SCHEMATIC IS FOR PCB FABRICATION 0065559000

14. ALL DIODES ARE 1N4448 UNLESS OTHERWISE SPECIFIED.

15. ALL POLARIZED CAPACITORS IN UF, 20% OR BETTER, 50V MINIMUM.

16. ALL UNPOLARIZED CAPACITORS IN UF, 10% OR BETTER, 50V MINIMUM. (POWER SUPPLY BYPASS CAPACITORS ARE 20%).

17. ALL RESISTORS IN OHMS, 5% 1/4W UNLESS OTHERWISE SPECIFIED. (POWER SUPPLY BYPASS CAPACITORS ARE 20%).

NOTES: (UNLESS OTHERWISE NOTED)

16. ALL 10 -DIGIT NUMBERS ARE FENDER PART NUMBERS.

15. LAST REFERENCE DESIGNATORS USED: C65, D30, F1, J5, K2, P21, PW4, Q4, R106, R11, S5, SP2, U3, V5, W5, W18

14. CIRCUITS INSIDE DASHED BOXES ARE ON BREAKAWAYS.

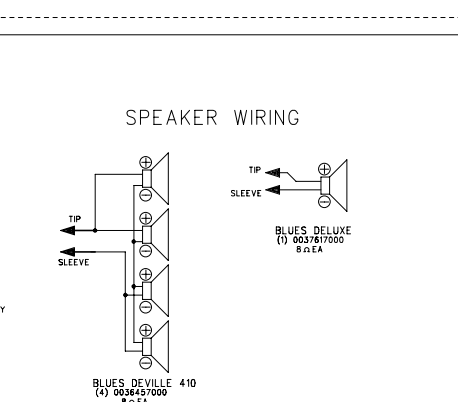
TP 16-18 WITH CABLE FROM J3 TO J4

READINGS OBSERVED AT TP21 AND TP22 WILL VARY GREATLY DEPENDING ON INDIVIDUAL REVERB PAN RESPONSE. THE VOLTAGE GAIN AT U2B SHOULD BE 02.

ALL DC AND SUPPLY MEASUREMENTS MADE WITH NO INPUT SIGNAL. REVERB CONTROL AT FULL CCW.

ALL OTHER CONTROLS AT 50% ROTATION. BRIGHT SWITCH OUT.

BIAS SET TO 30mV PER OUTPUT TUBE. SEE NOTE 10.



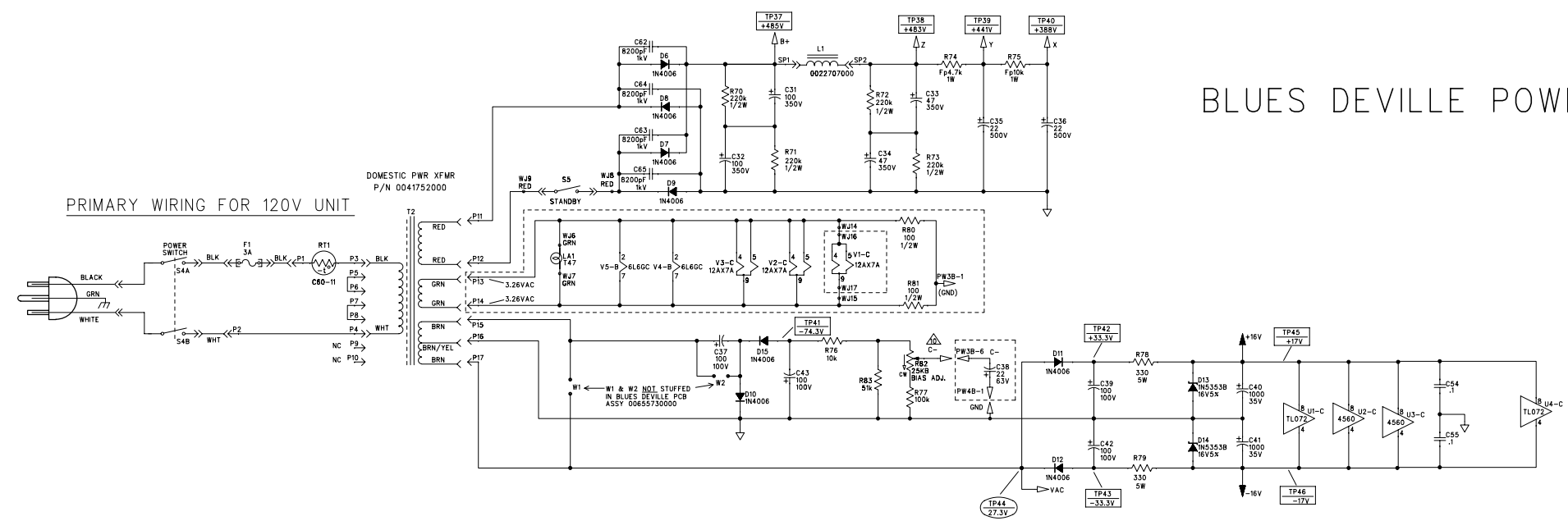
DELUXE OUTPUT TEST:
 17.9 V RMS INTO AN 8 Ω RESISTIVE LOAD, OR 12.6V RMS INTO A 4 Ω RESISTIVE LOAD, AT 5% THD, WITH A 286mV 1kHz SIGNAL APPLIED AT J4. PRESENCE AND REVERB CONTROLS FULL CCW.

DEVILLE OUTPUT TEST:
 21.1V RMS INTO AN 8 Ω RESISTIVE LOAD, OR 14.9V RMS INTO A 4 Ω RESISTIVE LOAD, AT 5% THD, WITH A 286mV 1kHz SIGNAL APPLIED AT J4. PRESENCE AND REVERB CONTROLS FULL CCW.

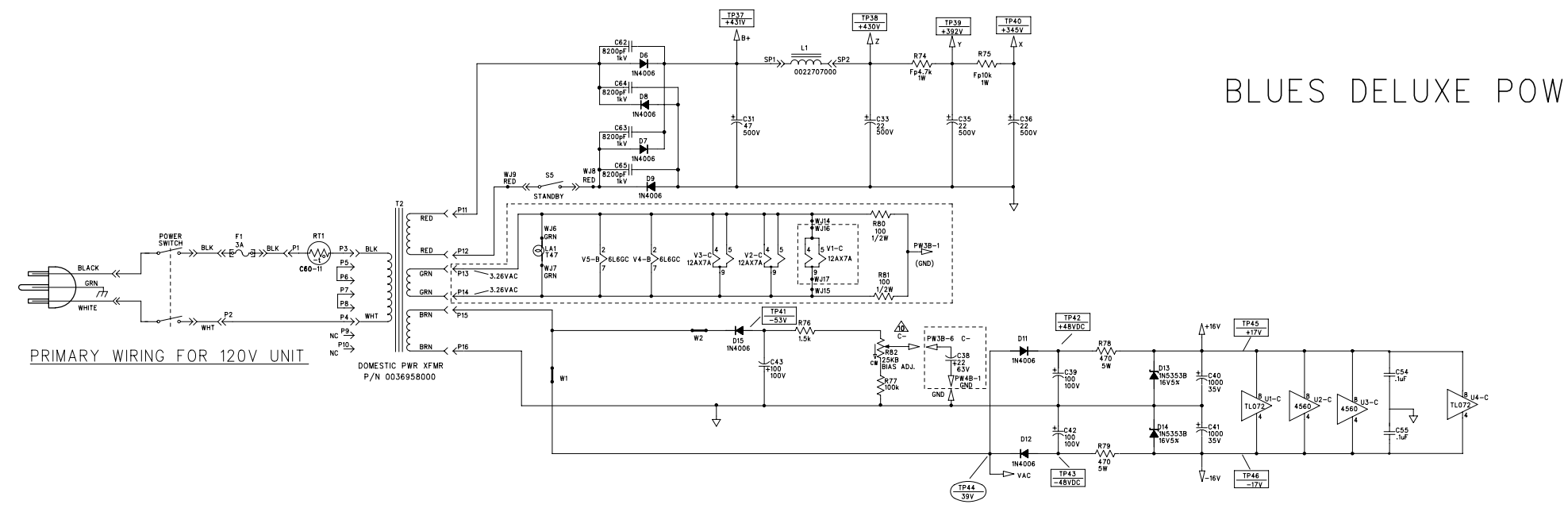
THIS DOCUMENT CONTAINS INFORMATION OF A PROPRIETARY NATURE TO FENDER MUSICAL INSTRUMENTS AND IS SUBMITTED TO YOU IN CONFERENCE AND SHALL NOT BE DISCLOSED OR TRANSMITTED TO OTHERS WITHOUT AUTHORIZATION FROM FENDER MUSICAL INSTRUMENTS.		MUSICAL INSTRUMENTS Corona, CA U.S.A.	
CHECKED BY:	DATE:	TITLE: SERVICE DIAGRAM, COMBINED (schematic) BLUES DELUXE/DEVILLE REISSUE	
APPROVED BY:	DATE:	SIZE	REV.
DRAWN: L.Lorenzen	ENGR: L.Lorenzen	D	A
DATABASE FILE: Z6655.SCH	RELEASE DATE: 14-DEC-04	DRAWING NUMBER 0065561000	
		SHEET: 1 OF 4	

REVISIONS			
REV.	DESCRIPTION	DATE	APPROVED
A	PR665/ED3150	14-DEC-04	LEL

D
C
B
A



BLUES DEVILLE POWER SUPPLY



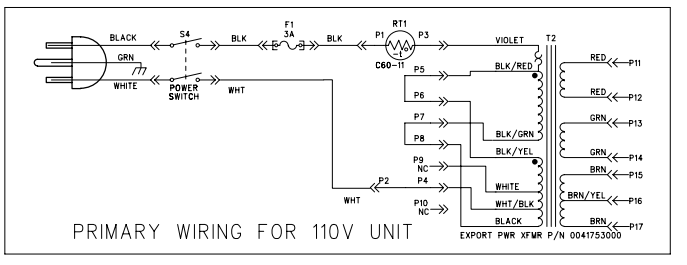
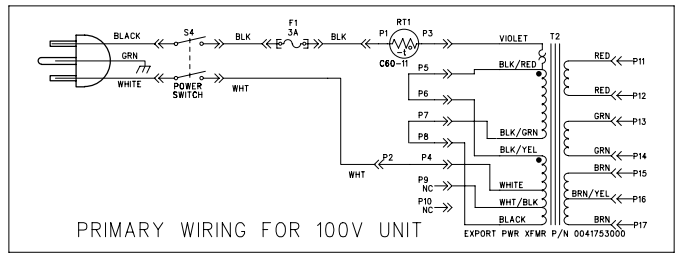
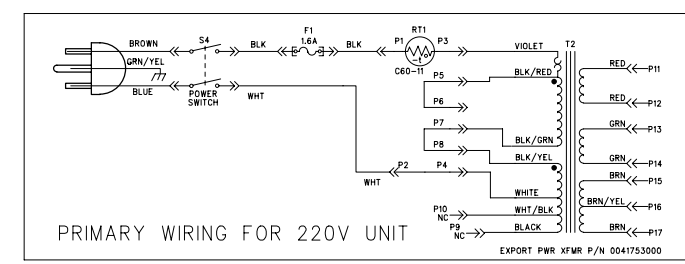
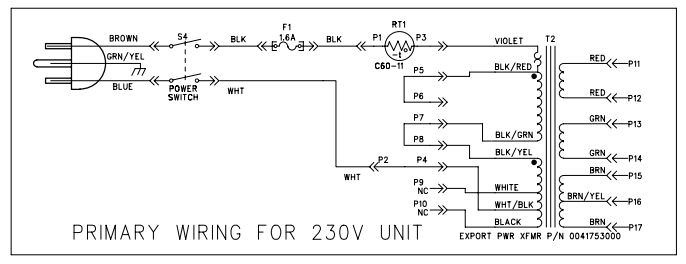
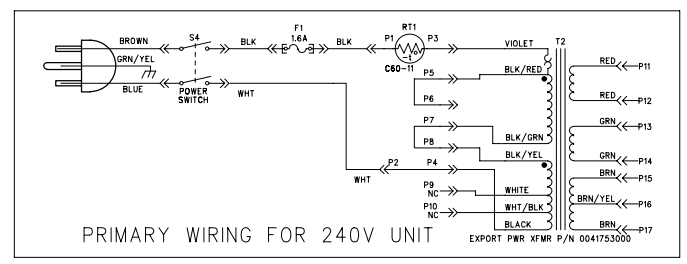
BLUES DELUXE POWER SUPPLY

NOTES: SEE SHEET 1

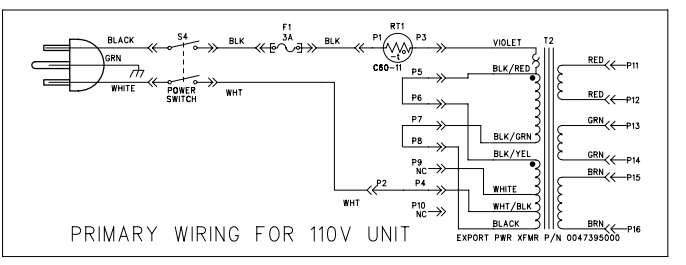
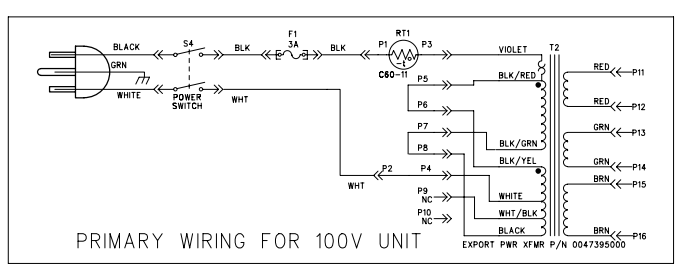
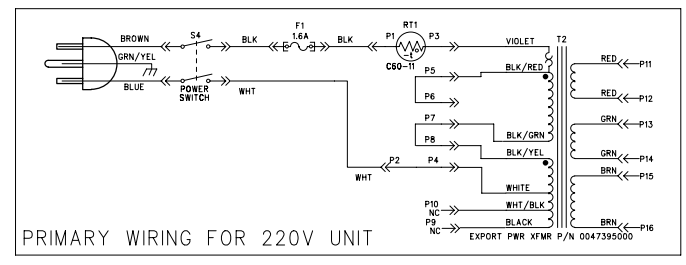
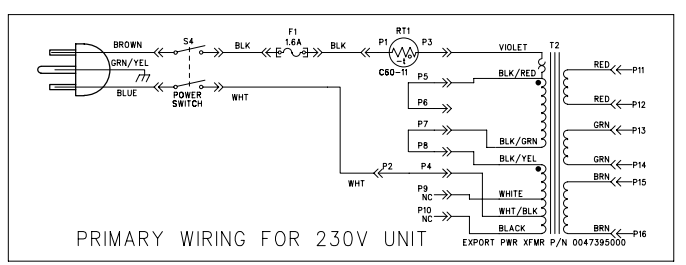
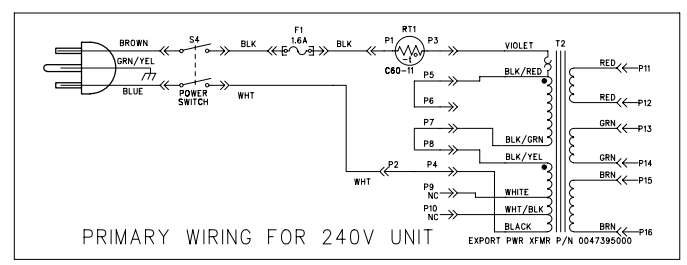
<p>THIS DOCUMENT CONTAINS INFORMATION OF A PROPRIETARY NATURE TO FENDER MUSICAL INSTRUMENTS AND IS SUBMITTED TO YOU IN CONFERENCE AND SHALL NOT BE DISCLOSED OR TRANSMITTED TO OTHERS WITHOUT AUTHORIZATION FROM FENDER MUSICAL INSTRUMENTS.</p>		
	<p>MUSICAL INSTRUMENTS Corona, CA U.S.A.</p>	
CHECKED BY: _____	TITLE: SERVICE DIAGRAM, COMBINED (schematic)	
DATE: _____	BLUES DELUXE/DEVILLE REISSUE	
APPROVED BY: _____	SIZE	DRAWING NUMBER
DATE: _____	D	0065561000
DRAWN: L.Lorenzen ENGR: L.Lorenzen	RELEASE DATE: 14-DEC-04	SHEET: 2 OF 4
DATABASE FILE: Z6655.SCH		

8 | 7 | 6 | 5 | 4 | 3 | 2 | 1

REVISIONS			
REV.	DESCRIPTION	DATE	APPROVED
A	PR665/EC3150	14-DEC-04	LEL



BLUES DEVILLE PRIMARY WIRING



BLUES DELUXE PRIMARY WIRING

THIS DOCUMENT CONTAINS INFORMATION OF A PROPRIETARY NATURE TO FENDER MUSICAL INSTRUMENTS AND IS SUBMITTED TO YOU IN CONFIDENCE AND SHALL NOT BE DISCLOSED OR TRANSMITTED TO OTHERS WITHOUT AUTHORIZATION FROM FENDER MUSICAL INSTRUMENTS.

Fender MUSICAL INSTRUMENTS
Corona, CA U.S.A.

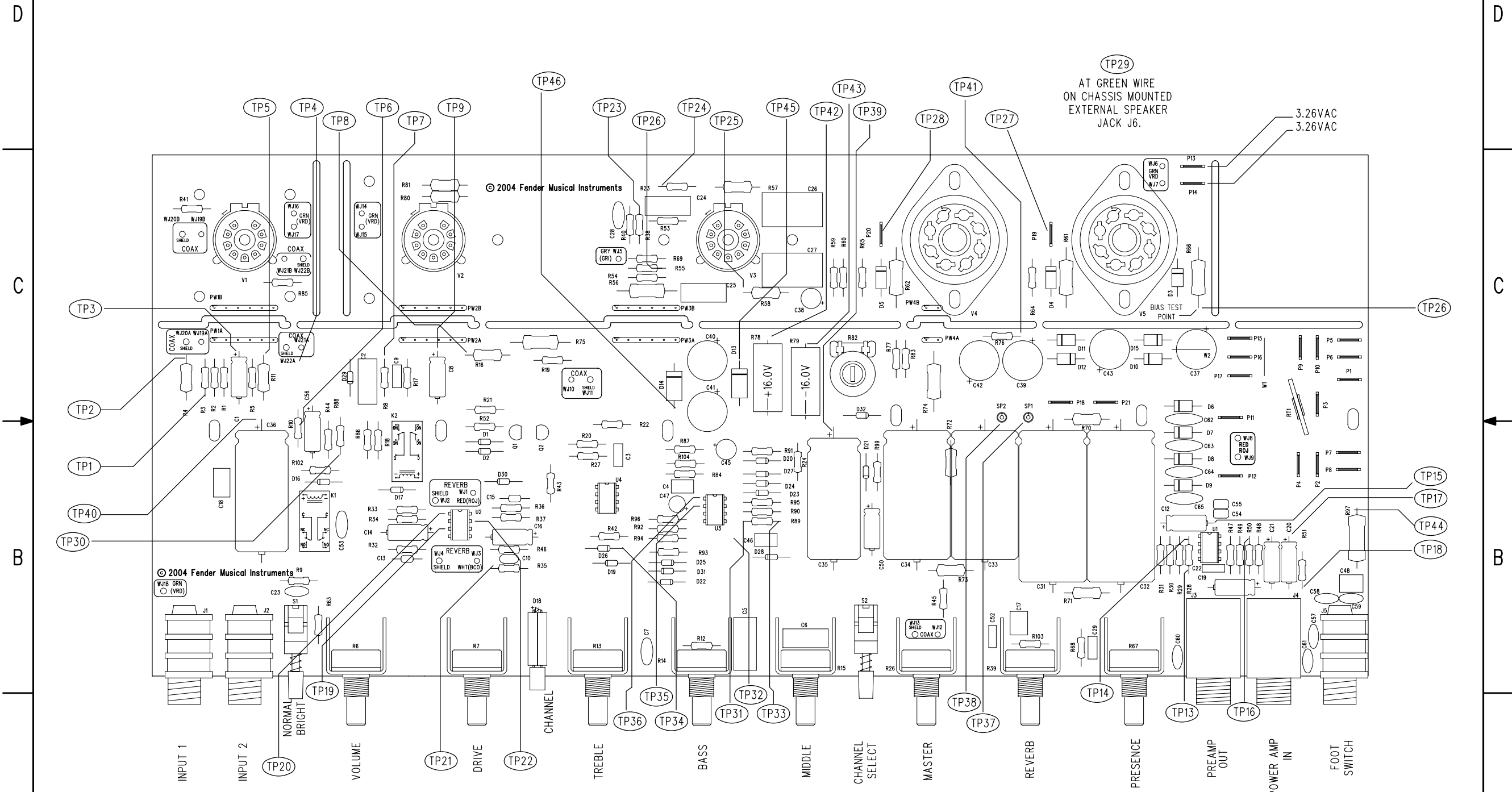
CHECKED BY: _____
DATE: _____
APPROVED BY: _____
DATE: _____
DRAWN: LORENZEN ENGR: LORENZEN
DATABASE FILE: Z6655.SCH

TITLE: SERVICE DIAGRAM, COMBINED (schematic)
BLUES DELUXE/DEVILLE REISSUE
SIZE: **D** DRAWING NUMBER: **0065561000** REV. **A**
RELEASE DATE: 14-DEC-04 SHEET: 3 OF 4

NOTES: SEE PAGE 1.

8 | 7 | 6 | 5 | 4 | 3 | 2 | 1

REVISIONS			
REV.	DESCRIPTION	DATE	APPROVED
A	PR665/EC3150	14-DEC-04	LEL



FILM/DWG: SERVICE DIAGRAM
 DATABASE: Z665P.PCB DATE: 14-DEC-04

3. SEE PAGE 1 FOR NOTES AND TEST CONDITIONS
2. WIRES NOT SHOWN FOR CLARITY
1. PCB SHOWN BEFORE POWER AMP BREAKAWAY IS INSTALLED IN CHASSIS

NOTES: (UNLESS OTHERWISE NOTED)

THIS DOCUMENT CONTAINS INFORMATION OF A PROPRIETARY NATURE TO FENDER MUSICAL INSTRUMENTS AND IS SUBMITTED TO YOU IN CONFIDENCE AND SHALL NOT BE DISCLOSED OR TRANSMITTED TO OTHERS WITHOUT AUTHORIZATION FROM FENDER MUSICAL INSTRUMENTS.

Fender MUSICAL INSTRUMENTS
 Corona, CA U.S.A.

CHECKED BY: _____
 DATE: _____
 APPROVED BY: _____
 DATE: _____
 DRAWN: L.LORENZEN ENGR: L.LORENZEN
 DATABASE FILE: Z665P.PCB

TITLE: SERVICE DIAGRAM, COMBINED (PCB assy)
 BLUES DELUXE/DEVILLE REISSUE
 SIZE **C** DRAWING NUMBER **0065561000** REV. **A**
 RELEASE DATE: 14-DEC-04 SHEET 4 OF 4