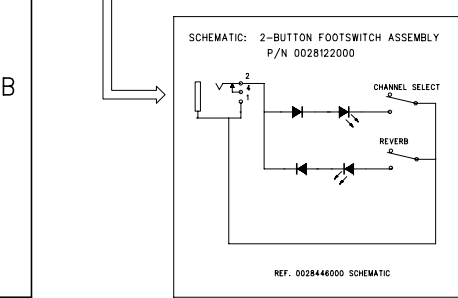
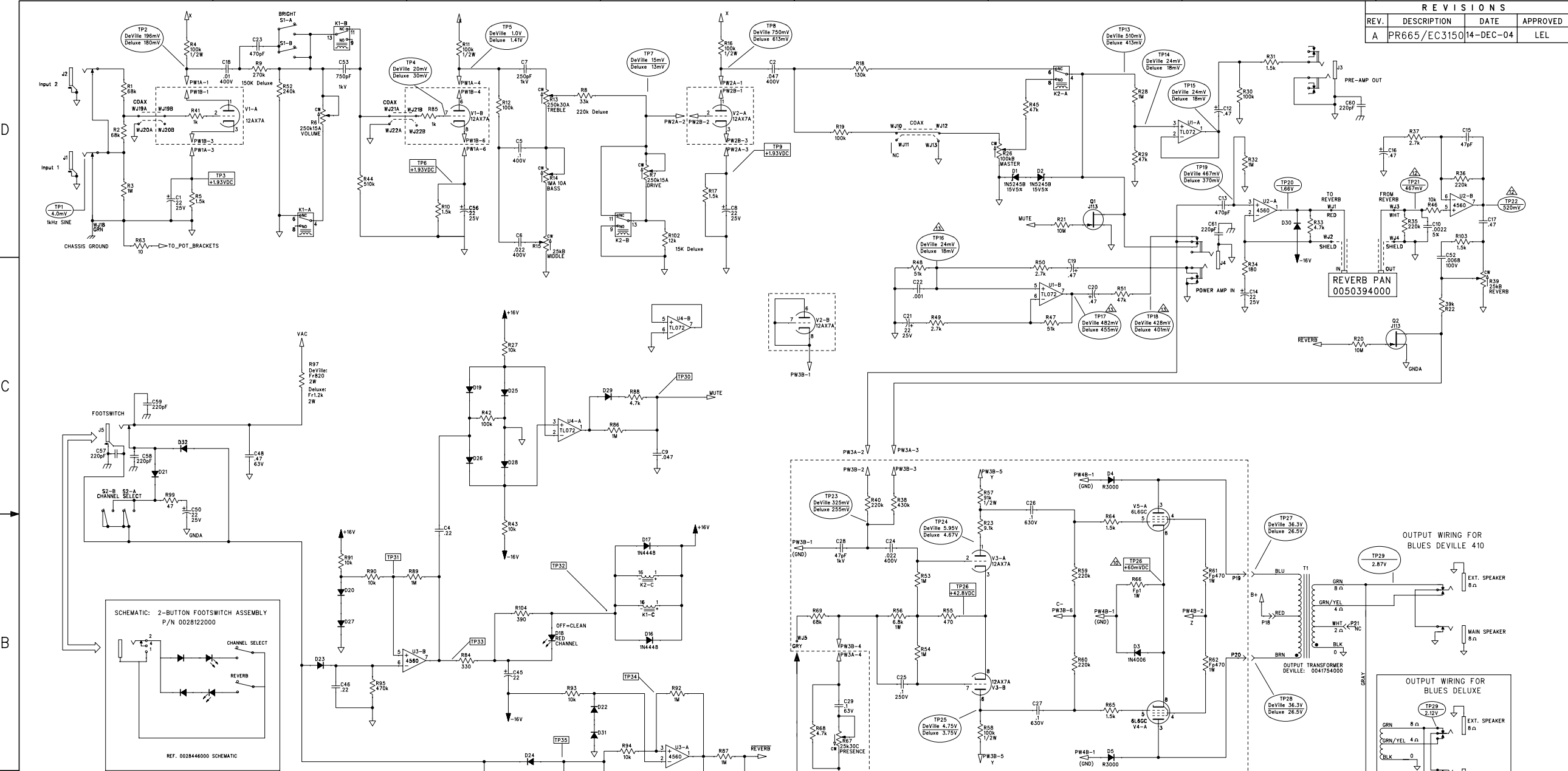


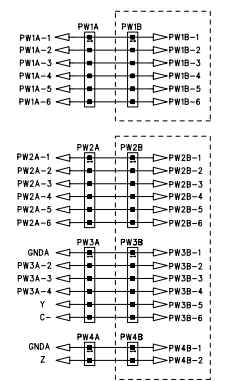
REVISIONS			
REV.	DESCRIPTION	DATE	APPROVED
A	PR665/EC3150	14-DEC-04	LEL



CHANNEL/REVERB SWITCHING OPERATION:

- TP30 (OUTPUT PIN CHANNEL SWITCH MUTING):
-16V STEADY STATE.
+15V PULSE DURING CHANNEL CHANGES
- TP31 (REF. PIN, CHANNEL SELECT):
+1.9V NORMAL MODE.
+1.58V DRIVE MODE "RED"
- TP32 (RELAY, CHANNEL SELECT):
+16.5V WITH CHANNEL SELECT IN.
+7.5V WITH CHANNEL SELECT OUT.
- TP33 (OUTPUT PIN, CHANNEL SELECT):
+15.5V DRIVE MODE "RED".
+14.8V NORMAL MODE
- TP34 (REF. PIN, REVERB ON/OFF):
-1.04 REVERB OFF.
-1.35V REVERB ON
- TP35 (INPUT PIN, REVERB ON/OFF):
+0.3V REVERB ON/OFF.
-2.2 REVERB ON
- TP36 (OUTPUT PIN, REVERB ON/OFF):
+16.5 REVERB OFF.
-15.6V REVERB ON

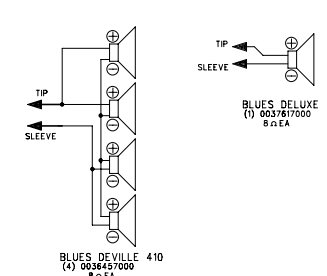
NOTE:
THE FOOTSWITCH OVERRIDES
THE FRONT PANEL SWITCHES.



- 1. ALL RESISTORS IN OHMS, 5K; 1/4W UNLESS OTHERWISE SPECIFIED.
- 2. ALL UNPOLARIZED CAPACITORS IN μ F, 10% OR BETTER, 50V MINIMUM. (POWER SUPPLY BYPASS CAPACITORS ARE 20%).
- 3. ALL POLARIZED CAPACITORS IN μ F, 20% OR BETTER, 50V MINIMUM.
- 4. ALL DIODES ARE 1N4448 UNLESS OTHERWISE SPECIFIED.
- 5. THIS SCHEMATIC IS FOR PCB FABRICATION 0065559000
- 6. THIS SCHEMATIC IS FOR THE FOLLOWING PCB ASSEMBLIES:
0065660000 PCB ASSY BLUES DELUXE REISSUE
0065573000 PCB ASSY BLUES DELUXE REISSUE
- 7. THE FOLLOWING ITEMS ARE NOT STUFFED IN DELUXE PCB ASSY 0065560000:
C32, C34, C37, D10, P21, R70-R73, R83, W3, W4
- 8. THE FOLLOWING ITEMS ARE NOT STUFFED IN DELUXE PCB ASSY 0065572000: W1, W2
- 9. THE FOLLOWING ITEMS DIFFER IN VALUE BETWEEN THE DELUXE AND DELUXE PCB ASSEMBLIES: C32, C33, R8, R9, R76, R78, R79, R97 and R102. ALSO, R71 AND R73 ARE STUFFED WITH WIRE JUMPERS IN THE DELUXE PCB ASSY.
- 10. BIAS ADJUSTMENT - NO SIGNAL APPLIED, RATED LINE VOLTAGE AT 72 SET BIAS ADJUST POT R82 TO OBTAIN A READING OF +60mV AT TP47.
- 11. ALL VOLTAGES MEASURED WITH RESPECT TO GROUND USING A TRUE RMS DVM VARYING BY $\pm 20\%$. TEST CONDITIONS: UNIT OPERATING AT RATED LINE VOLTAGE. ALL DC AND SUPPLY MEASUREMENTS MADE WITH NO INPUT SIGNAL. REVERB CONTROL AT FULL CCW. ALL OTHER CONTROLS AT 50% ROTATION. BRIGHT SWITCH OUT.
- 12. READINGS OBSERVED AT TP21 AND TP22 WILL VARY GREATLY DEPENDING ON INDIVIDUAL REVERB PAN RESPONSE. THE VOLTAGE GAIN AT U2B SHOULD BE 02.
- 13. ALL -DIGIT NUMBERS ARE FENDER PART NUMBERS.
- 14. LAST REFERENCE DESIGNATORS USED: C65, D30, F1, J5, K2, P21, PW4, Q4, R106, R11, S5, SP2, U3, V5, W18
- 15. CIRCuits INSIDE DASHED BOXES ARE ON BREAKAWAYS.
- 16. TP 16-18 WITH CABLE FROM J3 TO J4

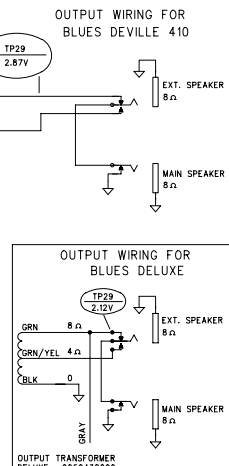
NOTES: (UNLESS OTHERWISE NOTED)

SPEAKER WIRING



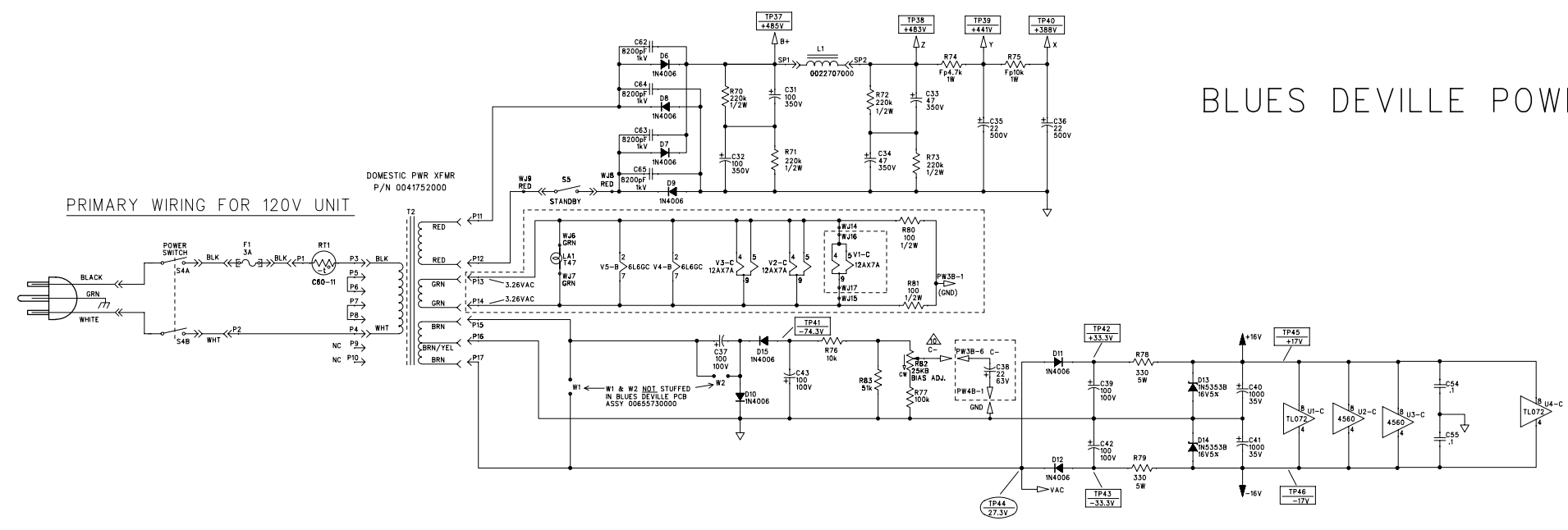
DELUXE OUTPUT TEST:
17.9 V RMS INTO AN 8 Ω RESISTIVE LOAD, OR 12.6V RMS INTO A 4 Ω RESISTIVE LOAD, AT 5% THD, WITH A 286mV 1kHz SIGNAL APPLIED AT J4. PRESENCE AND REVERB CONTROLS FULL CCW.

DEVILLE OUTPUT TEST:
21.1V RMS INTO AN 8 Ω RESISTIVE LOAD, OR 14.9V RMS INTO A 4 Ω RESISTIVE LOAD, AT 5% THD, WITH A 286mV 1kHz SIGNAL APPLIED AT J4. PRESENCE AND REVERB CONTROLS FULL CCW.

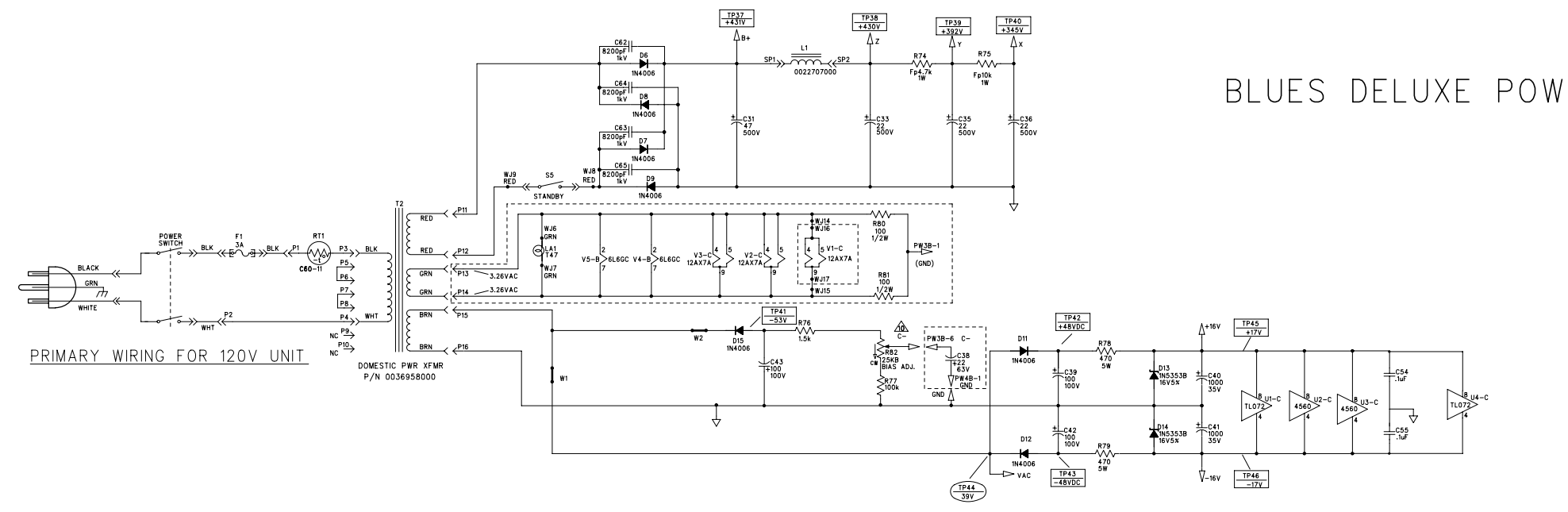


THIS DOCUMENT CONTAINS INFORMATION OF A PROPRIETARY NATURE TO FENDER MUSICAL INSTRUMENTS AND IS SUBMITTED TO YOU IN CONFERENCE AND SHALL NOT BE DISCLOSED OR TRANSMITTED TO OTHERS WITHOUT AUTHORIZATION FROM FENDER MUSICAL INSTRUMENTS.		MUSICAL INSTRUMENTS Corona, CA U.S.A.	
CHECKED BY:	DATE:	TITLE: SERVICE DIAGRAM, COMBINED (schematic) BLUES DELUXE/DEVILLE REISSUE	
APPROVED BY:	DATE:	SIZE	REV.
DRAWN: L.Lorenzen	ENGR: L.Lorenzen	D	A
DATABASE FILE: Z6655.SCH	RELEASE DATE: 14-DEC-04	SHEET: 1 OF 4	

REVISIONS			
REV.	DESCRIPTION	DATE	APPROVED
A	PR665/ED3150	14-DEC-04	LEL



BLUES DEVILLE POWER SUPPLY



BLUES DELUXE POWER SUPPLY

THIS DOCUMENT CONTAINS INFORMATION OF A PROPRIETARY NATURE TO FENDER MUSICAL INSTRUMENTS AND IS SUBMITTED TO YOU IN CONFERENCE AND SHALL NOT BE DISCLOSED OR TRANSMITTED TO OTHERS WITHOUT AUTHORIZATION FROM FENDER MUSICAL INSTRUMENTS.

Fender MUSICAL INSTRUMENTS
Corona, CA U.S.A.

CHECKED BY: _____
DATE: _____

APPROVED BY: _____
DATE: _____

DRAWN: L.Lorenzen ENGR: L.Lorenzen
DATABASE FILE: Z6655.SCH

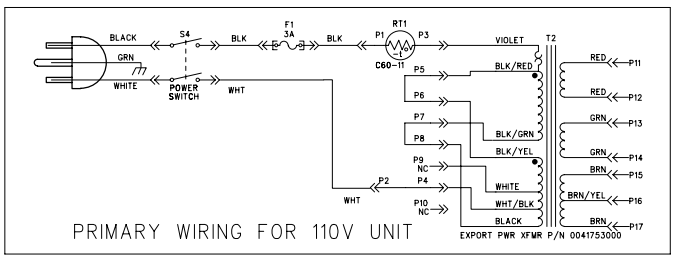
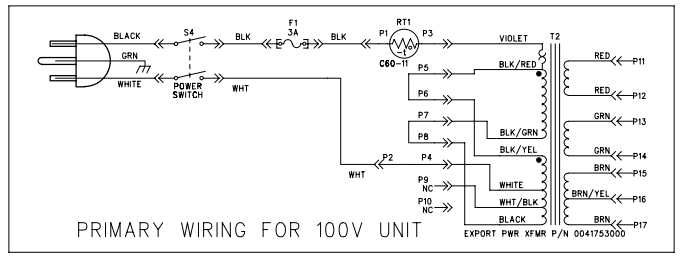
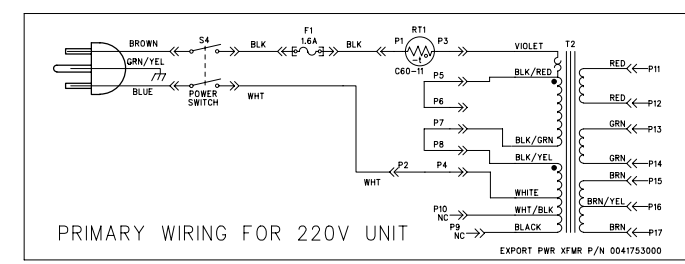
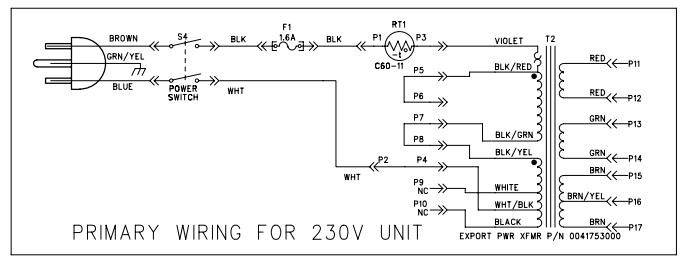
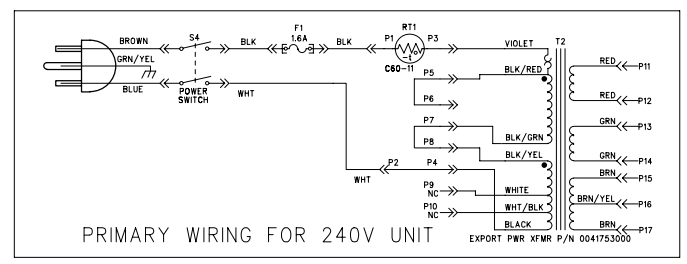
TITLE: SERVICE DIAGRAM, COMBINED (schematic)
BLUES DELUXE/DEVILLE REISSUE

SIZE: D DRAWING NUMBER: 0065561000 REV. A
RELEASE DATE: 14-DEC-04 SHEET: 2 OF 4

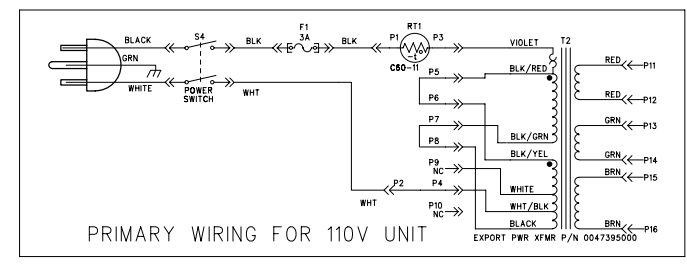
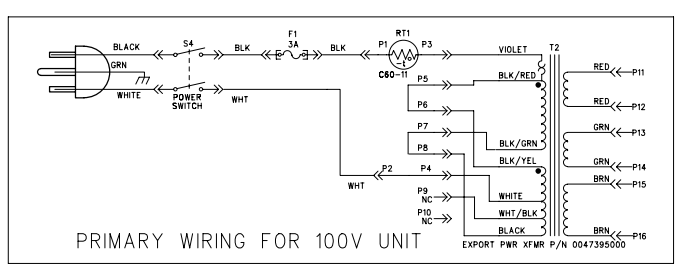
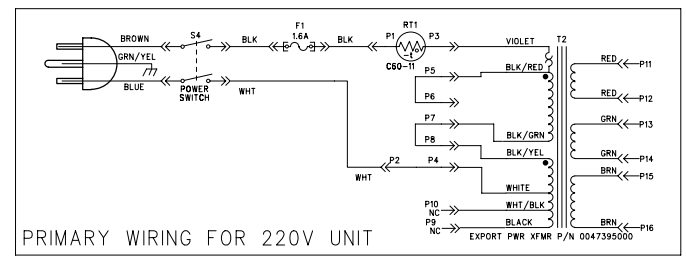
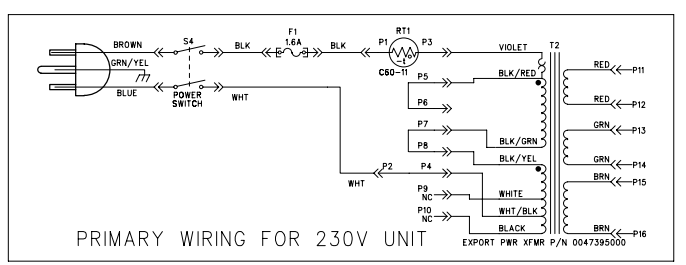
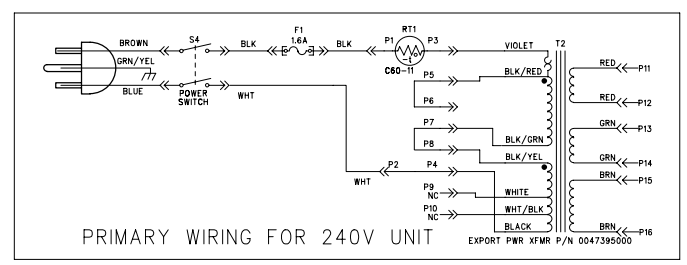
NOTES: SEE SHEET 1

8 | 7 | 6 | 5 | 4 | 3 | 2 | 1

REVISIONS			
REV.	DESCRIPTION	DATE	APPROVED
A	PR665/EC3150	14-DEC-04	LEL



BLUES DEVILLE PRIMARY WIRING



BLUES DELUXE PRIMARY WIRING

THIS DOCUMENT CONTAINS INFORMATION OF A PROPRIETARY NATURE TO FENDER MUSICAL INSTRUMENTS AND IS SUBMITTED TO YOU IN CONFIDENCE AND SHALL NOT BE DISCLOSED OR TRANSMITTED TO OTHERS WITHOUT AUTHORIZATION FROM FENDER MUSICAL INSTRUMENTS.

Fender MUSICAL INSTRUMENTS
Corona, CA U.S.A.

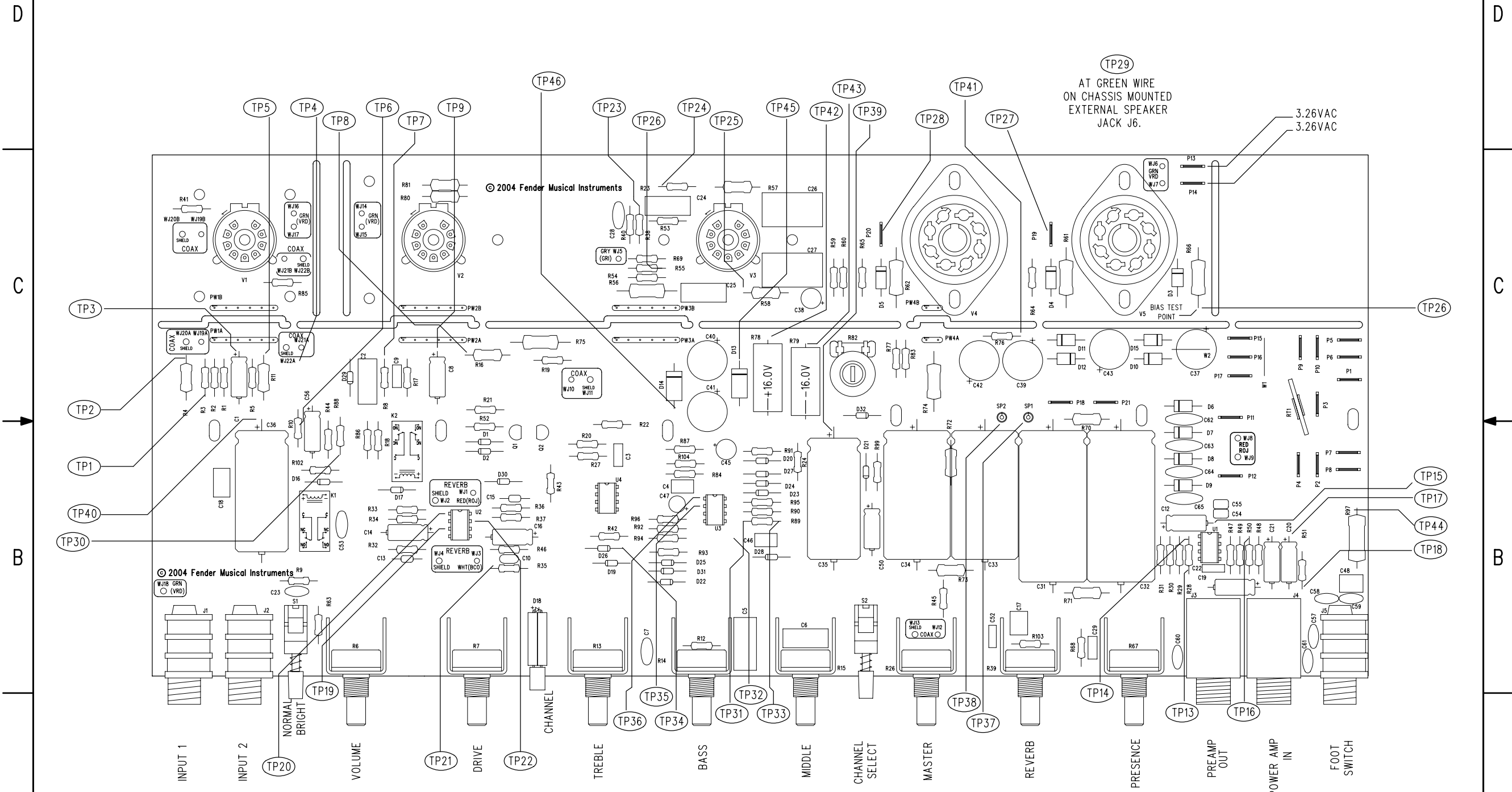
CHECKED BY: _____
DATE: _____
APPROVED BY: _____
DATE: _____
DRAWN: LORENZEN ENGR: LORENZEN
DATABASE FILE: Z6655.SCH

TITLE: SERVICE DIAGRAM, COMBINED (schematic)
BLUES DELUXE/DEVILLE REISSUE
SIZE: **D** DRAWING NUMBER: **0065561000** REV. **A**
RELEASE DATE: 14-DEC-04 SHEET: 3 OF 4

NOTES: SEE PAGE 1.

8 | 7 | 6 | 5 | 4 | 3 | 2 | 1

REVISIONS			
REV.	DESCRIPTION	DATE	APPROVED
A	PR665/EC3150	14-DEC-04	LEL



FILM/DWG: SERVICE DIAGRAM
 DATABASE: Z665P.PCB DATE: 14-DEC-04

3. SEE PAGE 1 FOR NOTES AND TEST CONDITIONS
2. WIRES NOT SHOWN FOR CLARITY
1. PCB SHOWN BEFORE POWER AMP BREAKAWAY IS INSTALLED IN CHASSIS

NOTES: (UNLESS OTHERWISE NOTED)

THIS DOCUMENT CONTAINS INFORMATION OF A PROPRIETARY NATURE TO FENDER MUSICAL INSTRUMENTS AND IS SUBMITTED TO YOU IN CONFIDENCE AND SHALL NOT BE DISCLOSED OR TRANSMITTED TO OTHERS WITHOUT AUTHORIZATION FROM FENDER MUSICAL INSTRUMENTS.

Fender MUSICAL INSTRUMENTS
 Corona, CA U.S.A.

CHECKED BY: _____
 DATE: _____
 APPROVED BY: _____
 DATE: _____
 DRAWN: L.LORENZEN ENGR: L.LORENZEN
 DATABASE FILE: Z665P.PCB

TITLE: SERVICE DIAGRAM, COMBINED (PCB assy)
 BLUES DELUXE/DEVILLE REISSUE
 SIZE: **C** DRAWING NUMBER: 0065561000
 REV: **A**
 RELEASE DATE: 14-DEC-04 SHEET 4 OF 4