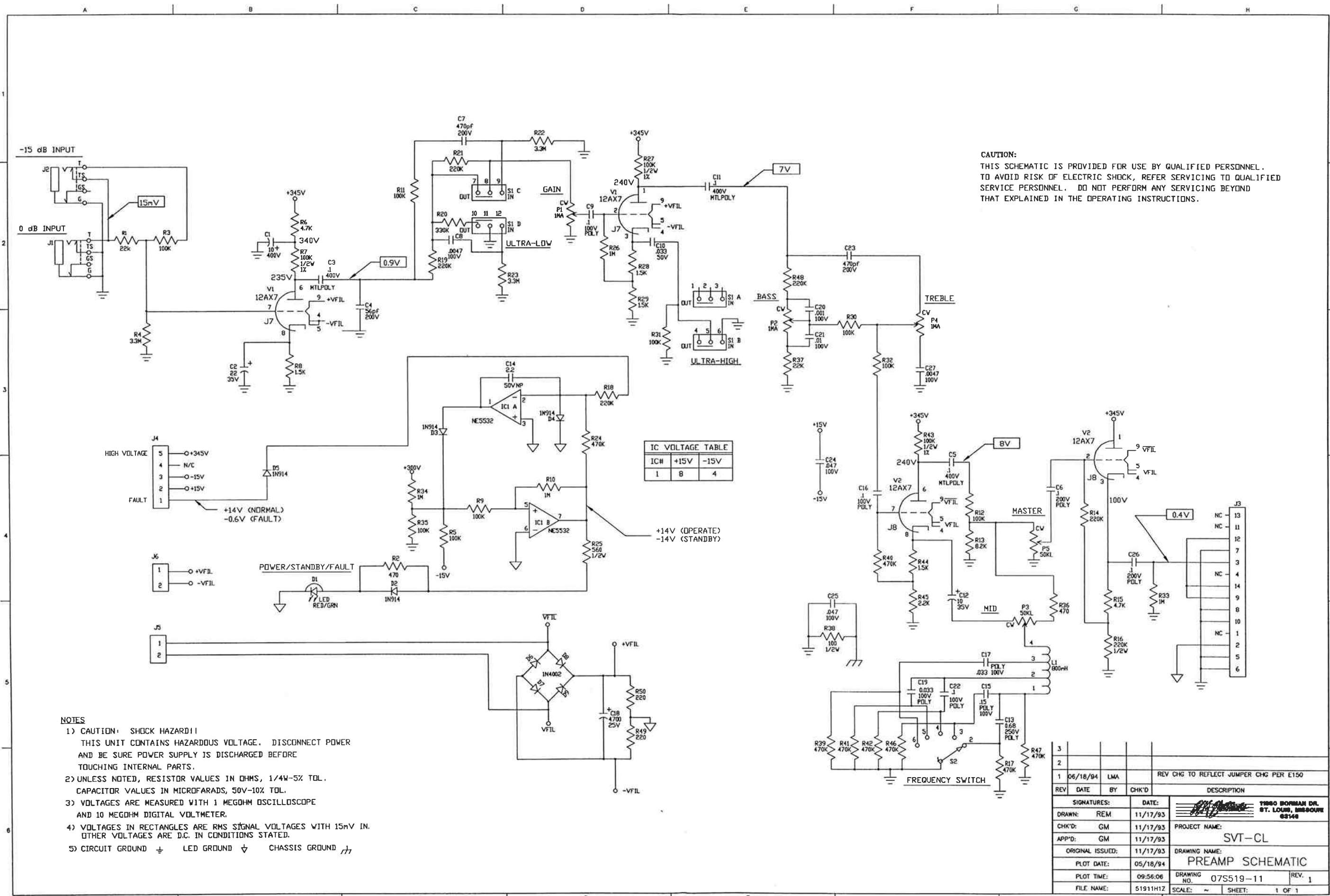


EXPORT WIRING TABLE

100V WIRING				230V WIRING			
WIRE	TAB#	WIRE	TAB#	WIRE	TAB#	WIRE	TAB#
BLU	J27	BLU	J17	BLK	J27	BLK	J17
GRY	J28	GRY	J18	WHT	J29	WHT	J19
WHT	J31	WHT	J21	BRN	J30	BRN	J20
BRN-WHT	J32	BRN-WHT	J22	BRN-WHT	J32	BRN-WHT	J22
BLK	J33	BLK	J23	BLU	J33	BLU	J23
BRN	J34	BRN	J24	GRY	J34	GRY	J24
FAN EXT.	J14	FAN EXT.	J15	FAN EXT.	J16	FAN EXT.	J15
MAIN FUSE	FIL FUSE	MAIN FUSE	FIL FUSE				
10A NORMAL	1.5A SLD BLD	6A NORMAL	1A SLD BLD				

DELETE POLARITY SWITCH HOOKUP

3				
2				
1	04/13/94	B.C.	<i>[Signature]</i>	CHG 15A FUSE TO 10 A PER ECO E131
REV	DATE	BY	CHK'D	DESCRIPTION
SIGNATURES:				DATE:
DRAWN: S.W.R.				02/01/94
CHK'D: <i>[Signature]</i>				PROJECT NAME: SVT-CL
APP'D: <i>[Signature]</i>				DRAWING NAME: CHASSIS ASSY. WIRING
ORIGINAL ISSUED:				PLOT DATE: 04/14/94
PLOT TIME: 07:45:19				DRAWING NO. 16W412-01
FILE NAME: 41201W1Z				SCALE: 1:1 SHEET: 1 OF 1

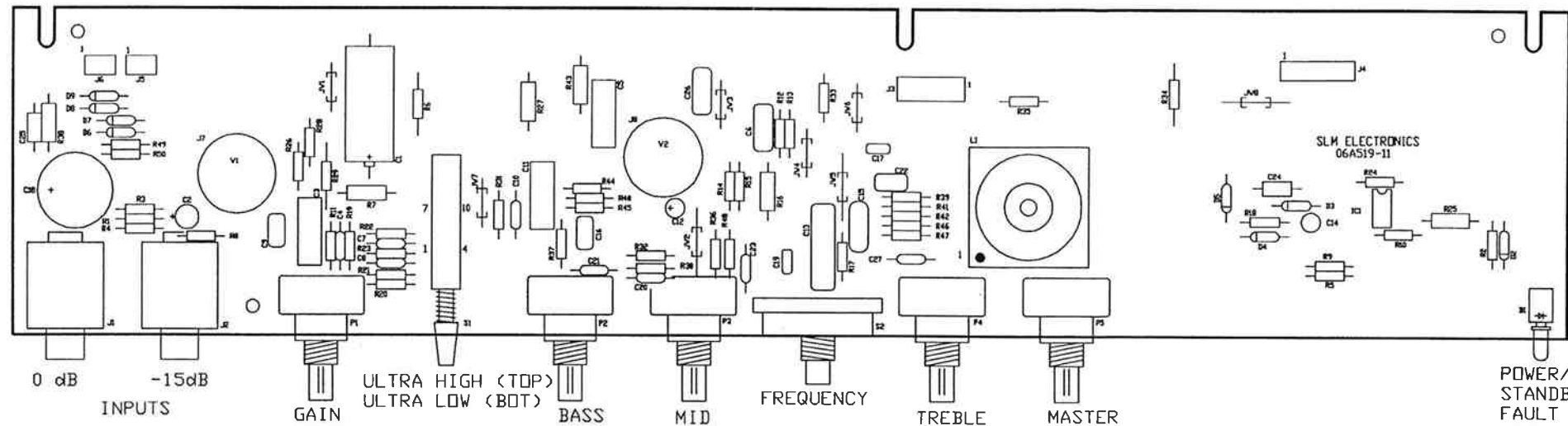


CAUTION:
THIS SCHEMATIC IS PROVIDED FOR USE BY QUALIFIED PERSONNEL.
TO AVOID RISK OF ELECTRIC SHOCK, REFER SERVICING TO QUALIFIED
SERVICE PERSONNEL. DO NOT PERFORM ANY SERVICING BEYOND
THAT EXPLAINED IN THE OPERATING INSTRUCTIONS.

IC#	+15V	-15V
1	B	4

- NOTES
- 1) CAUTION: SHOCK HAZARD!!
THIS UNIT CONTAINS HAZARDOUS VOLTAGE. DISCONNECT POWER AND BE SURE POWER SUPPLY IS DISCHARGED BEFORE TOUCHING INTERNAL PARTS.
 - 2) UNLESS NOTED, RESISTOR VALUES IN OHMS, 1/4W-5% TOL. CAPACITOR VALUES IN MICROFARADS, 50V-10% TOL.
 - 3) VOLTAGES ARE MEASURED WITH 1 MEGOHM OSCILLOSCOPE AND 10 MEGOHM DIGITAL VOLTMETER.
 - 4) VOLTAGES IN RECTANGLES ARE RMS SIGNAL VOLTAGES WITH 15mV IN. OTHER VOLTAGES ARE D.C. IN CONDITIONS STATED.
 - 5) CIRCUIT GROUND \perp LED GROUND ∇ CHASSIS GROUND ||

3				
2				
1	06/18/94	LMA		REV CHG TO REFLECT JUMPER CHG PER E150
REV	DATE	BY	CHK'D	DESCRIPTION
SIGNATURES:		DATE:		 TIM BORMAN DR. ST. LOUIS, MISSOURI 63148
DRAWN: REM		11/17/93		
CHK'D: GM		11/17/93		PROJECT NAME:
APP'D: GM		11/17/93		SVT-CL
ORIGINAL ISSUED:		11/17/93		DRAWING NAME:
PLOT DATE:		05/18/94		PREAMP SCHEMATIC
PLOT TIME:		09:56:06		DRAWING NO. 07S519-11
FILE NAME:		51911H12		REV. 1
		SCALE: ~		SHEET: 1 OF 1



DESIGNATOR	PART #	DESCRIPTION
C1	12-106-91	10
C2	12-226-32	22
C3	10-104-10	.1 MTLPOLY
C4	10A560-21	56pf
C5	10-104-10	.1 MTLPOLY
C6	10-104-21	.1 POLY
C7	10A471-21	470pf
C8	10A472-11	.0047
C9	10-104-03	.1 POLY
C10	10A333-01	.033
C11	10-104-10	.1 MTLPOLY
C12	12-106-32	10
C13	10-684-21	0.68 POLY
C14	12-225-81	2.2 N.P.
C15	10-154-02	.15 POLY
C16	10-104-03	.1 POLY
C17	10-333-02	.033 POLY
C18	12-478-25	4700
C19	10-333-02	0.033 POLY
C20	10A102-11	.001
C21	10A103-11	.01
C22	10-104-03	.1 POLY
C23	10A471-21	470pf
C24	10A473-11	.047
C25	10A473-11	.047
C26	10-104-21	.1 POLY
C27	10A472-11	.0047


DESIGNATOR	PART #	DESCRIPTION
D1	21-591-01	RED/GRN
D2	21A914-01	1N914
D3	21A914-01	1N914
D4	21A914-01	1N914
D5	21A914-01	1N914
D6	21A402-01	1N4002
D7	21A402-01	1N4002
D8	21A402-01	1N4002
D9	21A402-01	1N4002

DESIGNATOR	PART #	DESCRIPTION
IC1	37-532-01	NE5532
J1	39-119-01	T/S JACK
J2	39-119-01	T/S JACK
J3	17-100-14	CONN
J4	17-310-05	HEADER
J5	17-310-02	HEADER
J6	17-310-02	HEADER
J7	17-450-09	TUBE SOCKET
J8	17-450-09	TUBE SOCKET

DESIGNATOR	PART #	DESCRIPTION
L1	94-602-32	800mH

DESIGNATOR	PART #	DESCRIPTION
P1	70-105-12	1MA
P2	70-105-12	1MA
P3	70-503-17	50KL
P4	70-105-12	1MA
P5	70-503-17	50KL
R1	76-223-01	22k
R2	76-471-01	470
R3	76-104-01	100K
R4	76-335-01	3.3M
R5	76-104-01	100K
R6	76-472-01	4.7K
R7	77-104-02	100K 1%
R8	76-152-01	1.5K 1/2W
R9	76-104-01	100K
R10	76-105-01	1M
R11	76-104-01	100K
R12	76-104-01	100K
R13	76-822-01	8.2K
R14	76-224-01	220K
R15	76-472-01	4.7K
R16	77-224-01	220K 1/2W
R17	76-474-01	470K
R18	76-224-01	220K
R19	76-224-01	220K
R20	76-334-01	330K
R21	76-224-01	220K
R22	76-335-01	3.3M
R23	76-335-01	3.3M
R24	76-474-01	470K
R25	77-561-01	560 1/2W
R26	76-105-01	1M
R27	77-104-02	100K 1%
R28	76-152-01	1.5K 1/2W
R29	76-152-01	1.5K
R30	76-104-01	100K
R31	76-104-01	100K
R32	76-104-01	100K
R33	76-105-01	1M
R34	76-105-01	1M
R35	76-104-01	100K
R36	76-471-01	470
R37	76-223-01	22K
R38	77-101-01	100 1/2W
R39	76-474-01	470K
R40	76-474-01	470K
R41	76-474-01	470K
R42	76-474-01	470K
R43	77-104-02	100K 1%
R44	76-152-01	1.5K 1/2W
R45	76-222-01	2.2K
R46	76-474-01	470K
R47	76-474-01	470K
R48	76-224-01	220K
R49	76-221-01	220

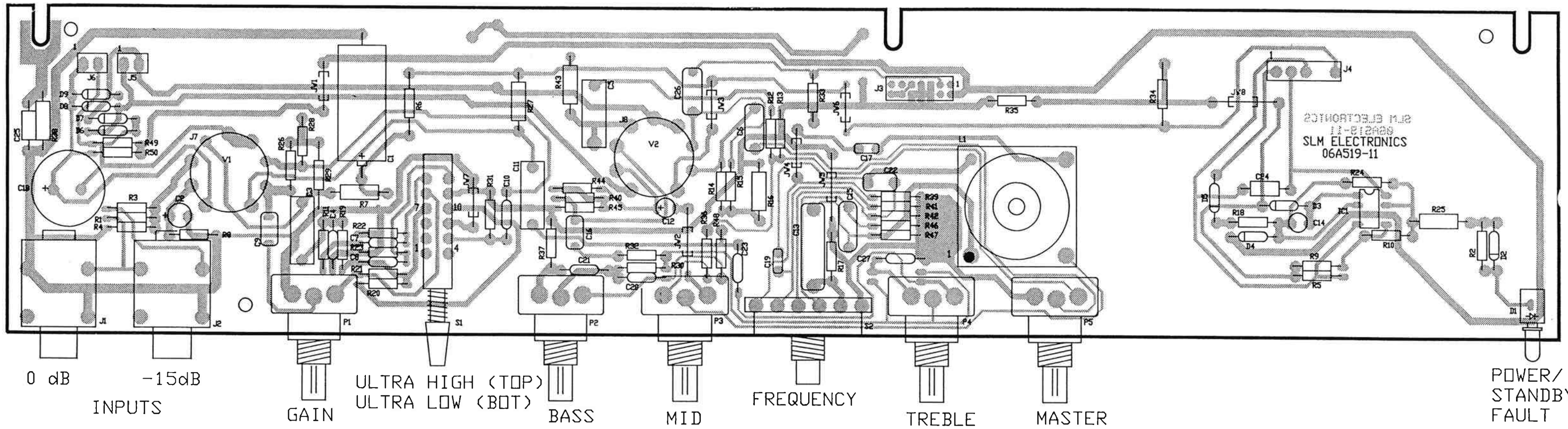
DESIGNATOR	PART #	DESCRIPTION
R50	76-221-01	220
S1	88-303-02	SWITCH
S2	88-107-01	SWITCH
V1	97-927-01	12AX7
V2	97-927-01	12AX7
JW1-8	76-000-05	JUMPER
MISCELLANEOUS		
-	68-935-01	90° LED MOUNT FOR D1
-	06A519-11	SVT-CL PREAMP P.C. BOARD

3				
2				
1	06/18/94	LMA		76-000-01 TO -05 PER E150
REV	DATE	BY	CHK'D	DESCRIPTION
SIGNATURES:		DATE:		 1980 BORMAN DR. ST. LOUIS, MISSOURI 63146
DRAWN:	REM	11/22/93		
CHK'D:	GM	11/22/93		PROJECT NAME:
APP'D:	GM	11/22/93		SVT-CL
ORIGINAL ISSUED:		11/22/93		DRAWING NAME:
PLOT DATE:		05/18/94		PREAMP PICTORIAL
PLOT TIME:		09:51:51		DRAWING NO. 07P519-11
FILE NAME:		51911P1Z		REV. 1
SCALE: 1:1		SHEET: 1 OF 1		

07P519-11 PicT
SUT-CL Pre Amp

REV 1.

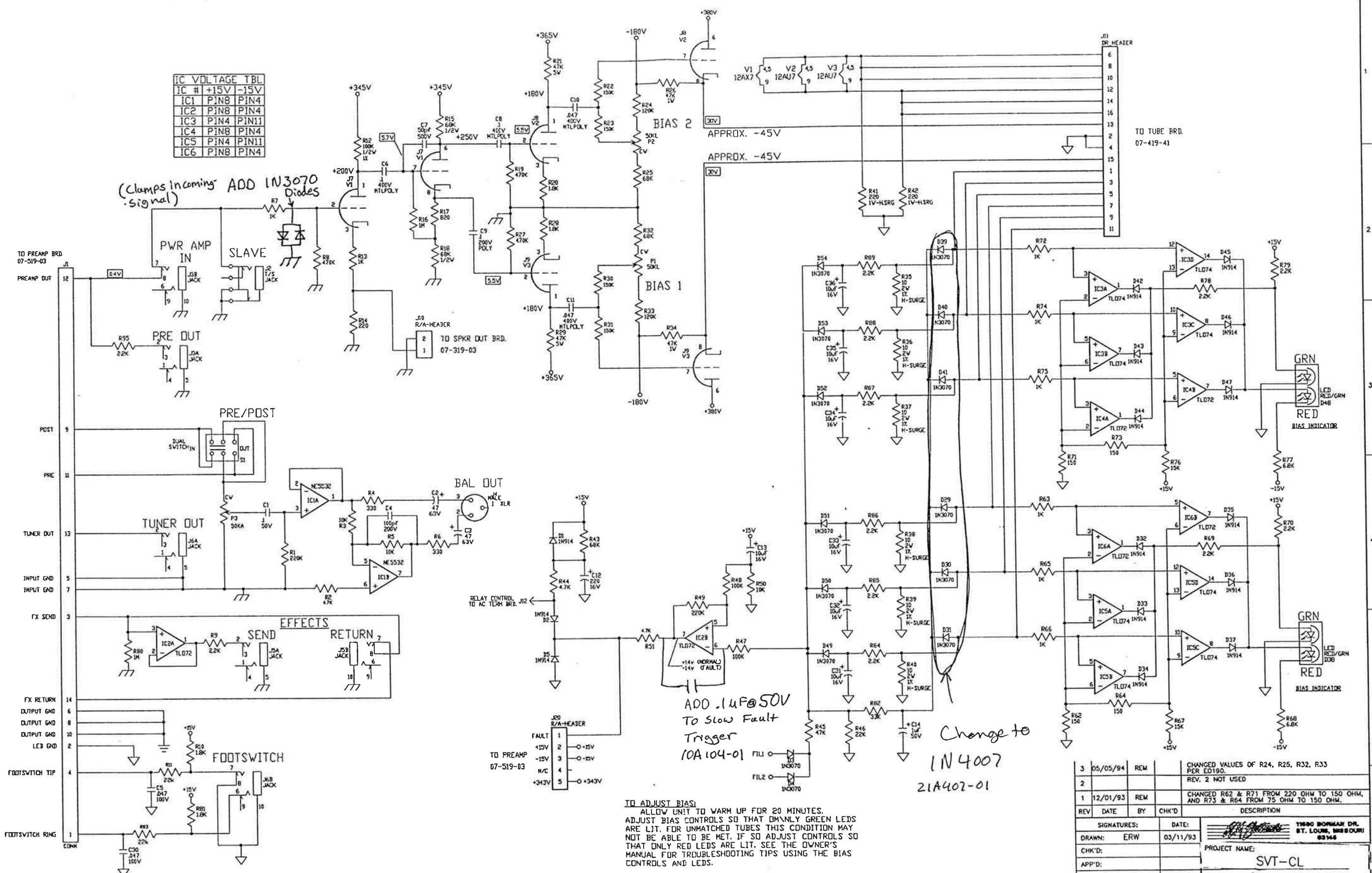
A | B | C | D



DESIGNATOR	PART #	DESCRIPTION	DESIGNATOR	PART #	DESCRIPTION	DESIGNATOR	PART #
C1	12-106-91	10 400V	P1	70-105-12	1MA	R50	76-221-01
C2	12-226-32	22 35V	P2	70-105-12	1MA	S1	88-303-02
C3	10-104-10	.1 MTLPOLY 400V	P3	70-503-17	50KL	S2	88-107-01
C4	10A560-21	56pf 200V	P4	70-105-12	1MA	V1	97-927-01
C5	10-104-10	.1 MTLPOLY 400V	P5	70-503-17	50KL	V2	97-927-01
C6	10-104-21	.1 POLY 200V	R1	76-223-01	22k		
C7	10A471-21	470pf 200V	R2	76-471-01	470		
C8	10A472-11	.0047 100V	R3	76-104-01	100K		
C9	10-104-03	.1 POLY 100V	R4	76-225-01	2.2M		

IC VOLTAGE TBL		
IC #1	+15V	-15V
IC1	PIN8	PIN4
IC2	PIN8	PIN4
IC3	PIN4	PIN11
IC4	PIN8	PIN4
IC5	PIN4	PIN11
IC6	PIN8	PIN4

(Clamps incoming signal) ADD IN3070 Diodes



TO ADJUST BIAS:
 ALLOW UNIT TO WARM UP FOR 20 MINUTES.
 ADJUST BIAS CONTROLS SO THAT ONLY GREEN LEADS
 ARE LIT. FOR UNMATCHED TUBES THIS CONDITION MAY
 NOT BE ABLE TO BE MET. IF SO ADJUST CONTROLS SO
 THAT ONLY RED LEADS ARE LIT. SEE THE OWNER'S
 MANUAL FOR TROUBLESHOOTING TIPS USING THE BIAS
 CONTROLS AND LEADS.

REV	DATE	BY	CHK'D	DESCRIPTION
3	05/05/94	REM		CHANGED VALUES OF R24, R25, R32, R33 PER ED190.
2				REV. 2 NOT USED
1	12/01/93	REM		CHANGED R62 & R71 FROM 220 OHM TO 150 OHM, AND R73 & R64 FROM 75 OHM TO 150 OHM.

SIGNATURES:	DATE:	1980 BORNHAR DR. ST. LOUIS, MISSOURI 63148
DRAWN: ERW	03/11/93	
CHK'D:		PROJECT NAME:
APP'D:		SVT-CL
ORIGINAL ISSUED:	03/11/93	DRAWING NAME:
PLOT DATE:	06/16/94	PWR AMP SCHEMATIC
PLOT TIME:	14:31:47	DRAWING NO. 07S419-03
FILE NAME:	4190344Z	REV. 4
		SCALE: ~ SHEET: 1 OF 2

6			
5			
4	05-16-94	LMA	REV CHG TO REFLECT JUMPER CHG PER E150