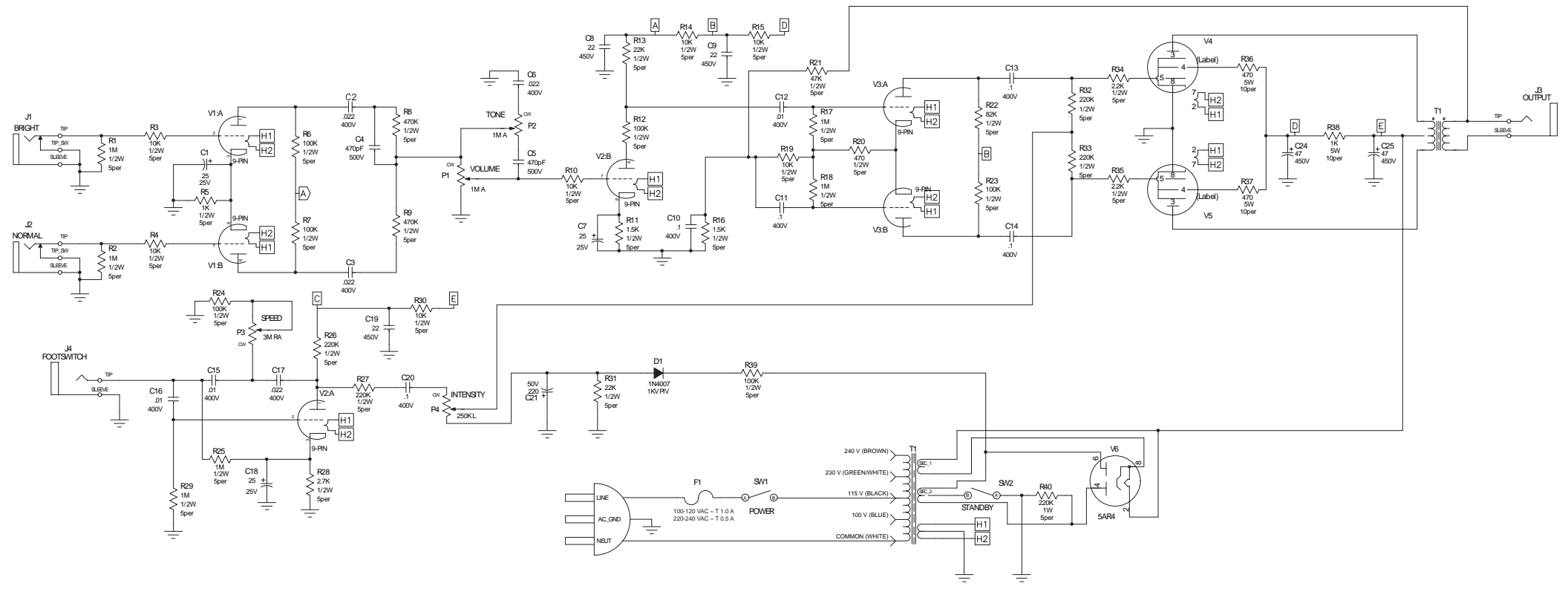


DWG. NO.	133SCH_1			SH	1	REV.	1
REVISIONS							
CHANGE #	REV	DESCRIPTION	DATE	REV BY			



UNLESS OTHERWISE SPECIFIED  
DIMENSIONS ARE IN MILLIMETERS  
TOLERANCES ARE:  
FRACTIONS DECIMALS ANGLES  
%%p .XX %%p %%p  
.XXX %%p

APPROVALS	DATE
DRAWN <b>WFB</b>	08-May-07
CHECKED	
ISSUED	



**LOUD Technologies Inc.**  
SAINT LOUIS, MISSOURI U.S.A.

**J20 Schematic**

SIZE <b>D</b>	ARTWORK NO.	DWG. NO. <b>133SCH_1</b>	REV.
SCALE <b>1.000</b>			SHEET <b>1 OF 1</b>

THE INFORMATION CONTAINED HEREIN IS  
PROPRIETARY AND CONFIDENTIAL PROPERTY OF  
LOUD TECHNOLOGIES INC. ALL RIGHTS RESERVED

DO NOT SCALE DRAWING