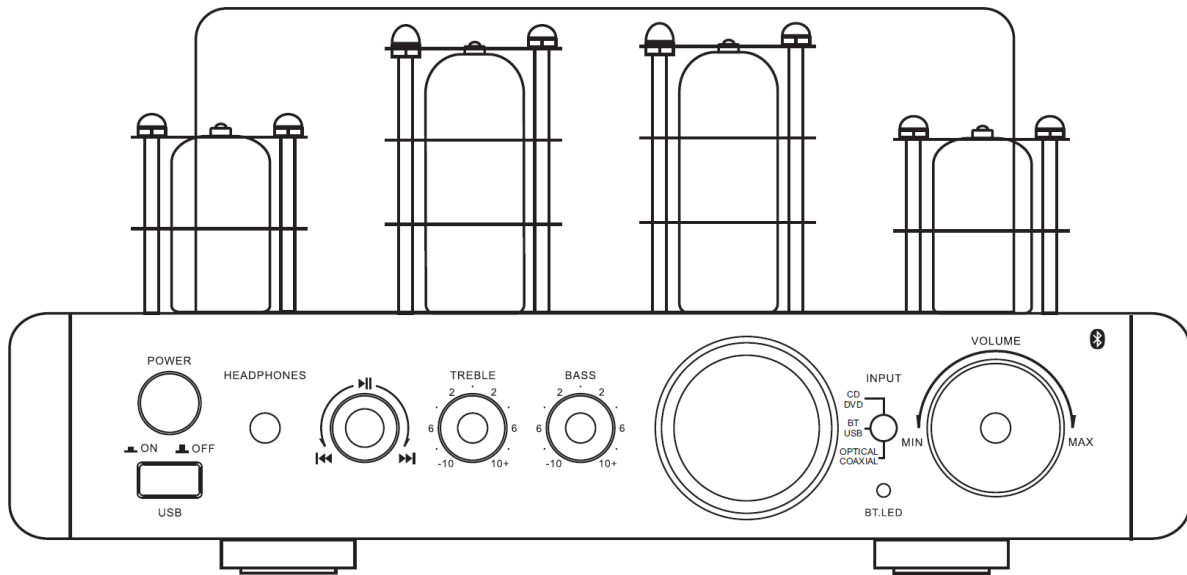


MONOPRICE

25-Watt Stereo Hybrid Tube Amplifier



P/N 38360

User's Manual

SAFETY WARNINGS AND GUIDELINES

Please read this entire manual before using this device, paying extra attention to these safety warnings and guidelines. Please keep this manual in a safe place for future reference.

- This device is intended for indoor use only.
- Do not expose this device to water or moisture of any kind. Do not place drinks or other containers with moisture on or near the device. If moisture does get in or on the device, immediately unplug it from the power outlet and allow it to fully dry before reapplying power.
- Do not touch the device, the power cord, or any other connected cables with wet hands.
- Do not expose this device to excessive vibration.
- Do not subject the product to extreme force, shock, or fluctuations in temperature or humidity.
- Do not expose this device to excessively high temperatures. Do not place it in, on, or near a heat source, such as a fireplace, stove, radiator, etc. Do not leave it in direct sunlight.
- Do not place or install this device in an area where it can be exposed to excessive amounts of dust, humidity, oil, smoke, or combustible vapors.
- Use only in a well-ventilated area. Do not use in close, confined spaces.
- Prior to operation, check the unit and power cord for physical damage. Do not use if physical damage has occurred.
- Before plugging the unit into a power outlet, ensure that the outlet provides the same type and level of power required by the device.
- Disconnect the unit from the power source when replacing the fuse. Replace the fuse only with the same type.
- Unplug this device from the power source when not in use.

- Take care to prevent damage to the power cord. Do not allow it to become crimped, pinched, walked on, or become tangled with other cords. Ensure that the power cord does not present a tripping hazard.
- Never unplug the unit by pulling on the power cord. Always grasp the connector head or adapter body.
- Ensure that power is turned off and disconnected before making any electrical connections.
- Clean using a soft, dry cloth only. Do not use chemical cleaners, solvents, or detergents. For stubborn deposits, moisten the cloth with warm water.
- This device has no user serviceable parts. Do not attempt to open, service, or modify this device.
- Use gloves when touching the tubes. The oil from your fingers can reduce tube life.

CUSTOMER SERVICE

The Monoprice Customer Service department is dedicated to ensuring that your ordering, purchasing, and delivery experience is second to none. If you have any problem with your order, please give us an opportunity to make it right. You can contact a Monoprice Customer Service representative through the Live Chat link on our website www.monoprice.com or via email at support@monoprice.com. Check the website for support times and links.

PACKAGE CONTENTS

Please take an inventory of the package contents to ensure you have all the items listed below. If anything is missing or damaged, please contact Monoprice Customer Service for a replacement.

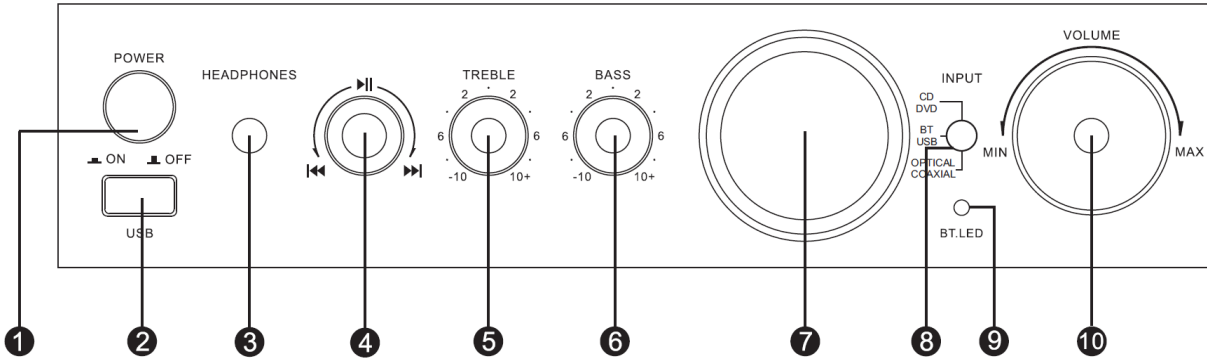
1x Tube Amplifier

1x Line In Cable

1x User's Manual

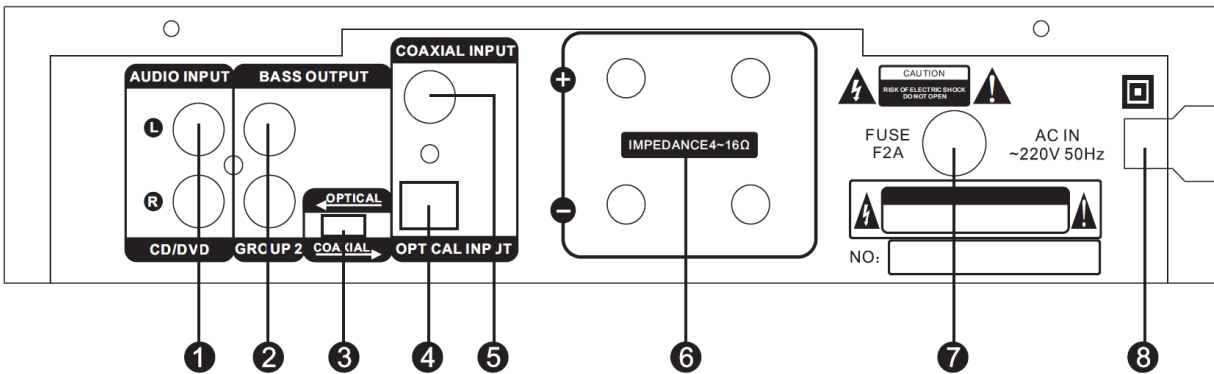
PRODUCT OVERVIEW

Front Panel



1. **POWER:** Press the button to turn the amplifier on or off.
2. **USB:** USB port for use with a USB flash drive with audio files.
3. **HEADPHONES:** 3.5mm TRS headphone jack. The speaker output is disabled when headphones are plugged in.
4. **CONTROL:** Playback control for use with the USB and Bluetooth® inputs. Press the control to pause or resume playback. Turn the control counterclockwise to skip back to the previous track. Turn the control clockwise to skip forward to the next track.
5. **TREBLE:** Adjusts the output level of the high frequencies.
6. **BASS:** Adjusts the output level of the low frequencies.
7. **VU Meter:** Analog VU meter displays the overall output level.
8. **INPUT:** Input selector. If a USB flash drive is connected, the **BT/USB** selection will playback audio files from the USB drive. If no USB drive is connected, the amplifier will search for Bluetooth enabled devices and automatically enter Bluetooth mode. The amplifier's USB audio player is compatible with WAV, MP3, WMA, APE, and FLAC audio files.
9. **BT LED:** The LED flashes when in Bluetooth pairing mode. It illuminates solid when connected to a Bluetooth device.
10. **VOLUME:** Adjusts the overall volume level.

Rear Panel



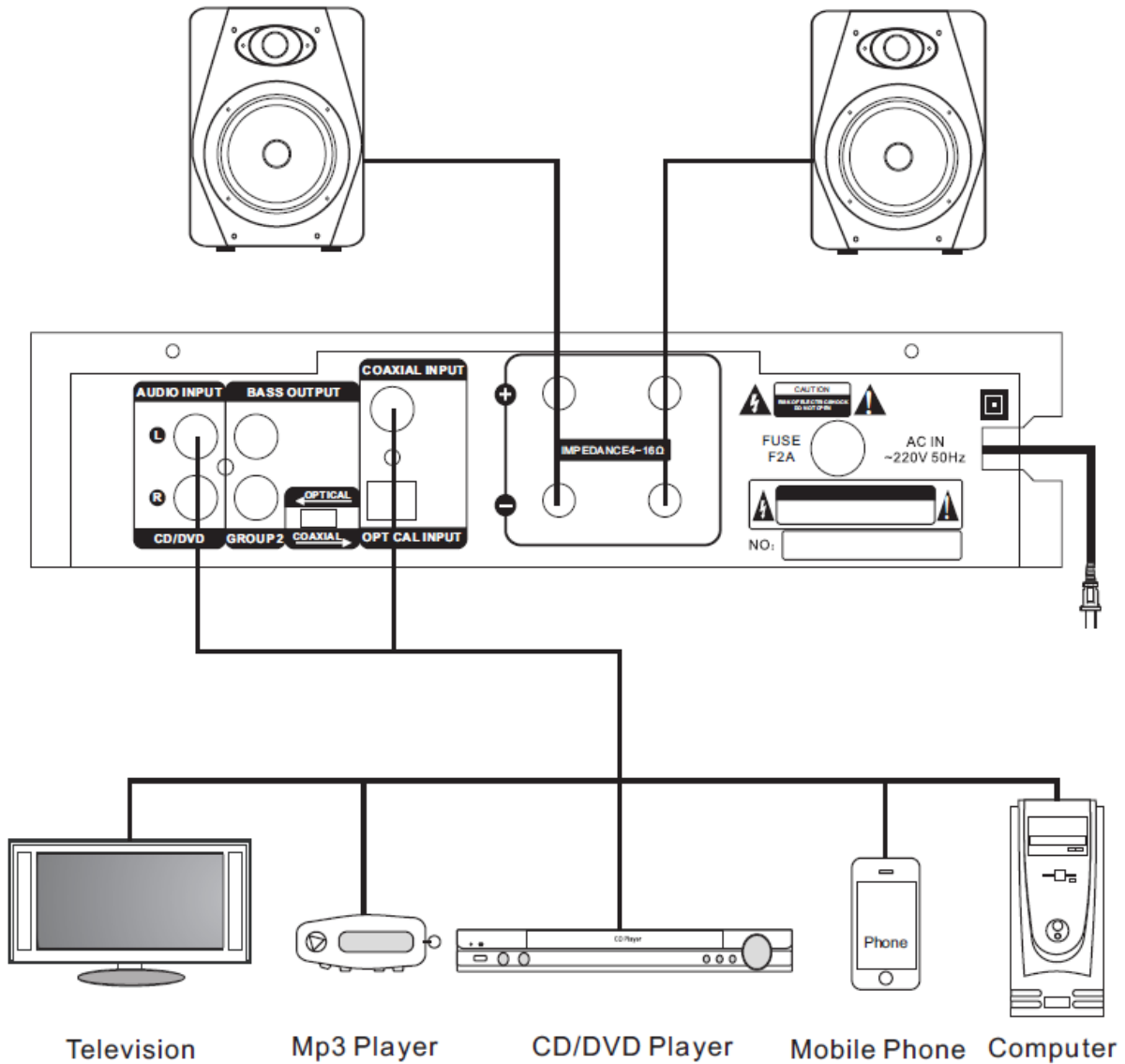
1. **AUDIO INPUT CD/DVD:** A set of stereo RCA line level input jacks.
2. **BASS OUTPUT GROUP 2:** A set of stereo RCA line output jacks for connecting a powered subwoofer.
3. **OPTICAL/COAXIAL:** Slide switch for selecting the **OPTICAL** or **COAXIAL** digital audio input.
4. **OPTICAL INPUT:** Optical digital audio input connector.
5. **COAXIAL INPUT:** Coaxial digital audio input connector.
6. **IMPEDANCE 4~16Ω:** Stereo speaker output connectors.
7. **FUSE F2A:** Fuse holder.
8. **AC IN:** AC power cord.

IMPORTANT TUBE NOTE

It is possible for the tubes to work themselves loose in the tube socket during shipping. Prior to installation, ensure that the tubes are firmly seated in their sockets.

Note: Wear gloves when handling the tubes. The oil from your fingers can reduce tube life and cause premature failure.

SAMPLE CONNECTION DIAGRAM



BLUETOOTH® PAIRING

Perform the following steps to pair your mobile device with the amplifier.

1. Press the **POWER** button on the front panel to turn the amplifier on.
2. Ensure that there is no USB drive connected to the front panel USB input.

3. Place the **INPUT** selector in the **BT/USB** position. The **BT** LED will begin flashing, indicating that the amplifier is in Bluetooth® pairing mode.
4. Open the Bluetooth settings on your mobile device and scan for nearby Bluetooth devices.
5. Locate and select the **AMP-T150** entry. If prompted for a passcode, enter **0000** (four zeros).

Notes:

- If the pairing fails the first time, turn off the amplifier, then repeat the above steps.
- The amplifier will remember the last Bluetooth pairing and will automatically reconnect to your mobile device. If it does not automatically reconnect, open your Bluetooth settings, select the **AMP-T150** entry, then select the **CONNECT** option.
- If your device cannot reconnect, delete the pairing, then repeat the above steps to recreate the connection.

TECHNICAL SUPPORT

Monoprice is pleased to provide free, live, online technical support to assist you with any questions you may have about installation, setup, troubleshooting, or product recommendations. If you ever need assistance with your new product, please come online to talk to one of our friendly and knowledgeable Tech Support Associates. Technical support is available through the online chat button on our website www.monoprice.com or through email by sending a message to tech@monoprice.com. Check the website for support times and links.

SPECIFICATIONS

Model	38360
Inputs	1x stereo RCA line, 1x digital optical, 1x digital coaxial, 1x Bluetooth®, 1x USB
Output Power (RMS)	25 watts/channel
Frequency Response	22Hz ~ 17kHz
Total Harmonic Distortion	≤ 0.02%
Signal-to-Noise Ratio	≥ 86dB
Input Impedance	47kΩ
Input Sensitivity	300mV
Speaker Output Impedance	4~16Ω
Headphone Output Impedance	4~8Ω
Bluetooth Version	2.1 + EDR
Bluetooth Pairing Name	AMP-T150
Maximum Bluetooth Range	32 feet (10 meters)
Supported USB File Formats	WAV, MP3, WMA, APE, FLAC
Maximum USB Drive Capacity	64GB
Supported USB Drive Formatting	FAT32
Input Voltage	100 ~ 120/220~240 VAC, 50/60 Hz
Dimensions	10.6" x 10.2" x 5.1" (270 x 260 x 130 mm)
Weight	6.6 lbs. (3.0 kg)

REGULATORY COMPLIANCE

Notice for FCC



This device complies with Part 15 of the FCC rules. Operation is subject to the following two conditions: (1) this device may not cause harmful interference, and (2) this device must accept any interference received, including interference that may cause undesired operation.

Modifying the equipment without Monoprice's authorization may result in the equipment no longer complying with FCC requirements for Class B digital devices. In that event, your right to use the equipment may be limited by FCC regulations, and you may be required to correct any interference to radio or television communications at your own expense.

This equipment has been tested and found to comply with the limits for a Class B digital device, pursuant to Part 15 of the FCC Rules. These limits are designed to provide reasonable protection against harmful interference in a residential installation. This equipment generates, uses and can radiate radio frequency energy and, if not installed and used in accordance with the instructions, may cause harmful interference to radio communications. However, there is no guarantee that interference will not occur in a particular installation. If this equipment does cause harmful interference to radio or television reception, which can be determined by turning the equipment off and on, the user is encouraged to try to correct the interference by one or more of the following measures:

- Reorient or relocate the receiving antenna.
- Increase the separation between the equipment and receiver.
- Connect the equipment into an outlet on a circuit different from that to which the receiver is connected.
- Consult the dealer or an experienced radio/TV technician for help.

Notice for Industry Canada

This Class B digital apparatus complies with Canadian ICES-003.

Cet appareil numérique de la classe B est conforme à la norme NMB-003 du Canada.

The Bluetooth® word mark and logos are registered trademarks of Bluetooth SIG, Inc.