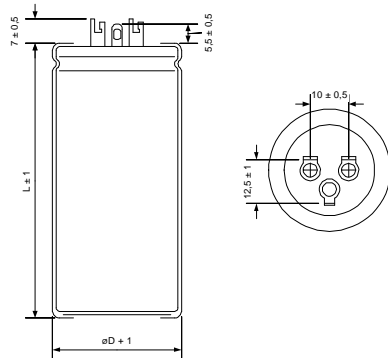


# F & T Kondensatoren GmbH

## Datasheet



### Type : LFAZ50050035050



Ø D : 35 mm

L : 50 mm

Terminals : Solder lugs

#### Electrical Parameter

Rated capacitance ( $C_R$ ) 100 Hz / 20 °C	<b>50 + 50</b> $\mu\text{F}$	
Tolerance	<b>-10 +30</b> %	
Rated voltage ( $U_R$ )	<b>500</b> V	
Peak voltage ( $U_P$ ) max. 5 x 1 min / h	<b>550</b> V	
Reverse voltage ( $U_U$ ) max. 1 s	<b>2</b> V	
Leakage current ( $I_L$ ) $U_B$ / 5 min / 20 °C	<b>200</b> $\mu\text{A}$	
ESR typ. 100 Hz / 20°C	<b>2,5</b> $\Omega$	
Tan $\delta$ typ. 100 Hz / 20°C	<b>8</b> %	
Z max. 10 kHz / 20°C	<b>4</b> $\Omega$	
ESL typ.	<b>20</b> nH	
Rated ripple current ( $I_R$ ) 100 Hz / °C	<b>0,4</b> A	
Useful life @ $I_R, U_R, ^\circ\text{C}$	<b>4000</b> h	
IEC climatic category / standards	<b>40 /85/ 56</b>	<b>IEC 384</b>
Applications	Tube amplifier	
Your article no. / Project		