



**Datasheet**

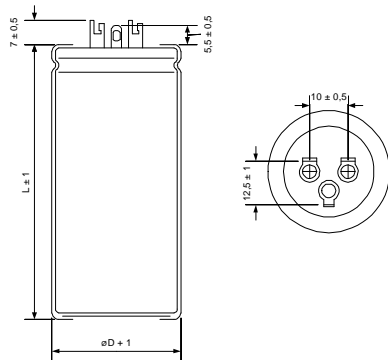
Customer : Campbell Collins

Drawing no. :100002957

Page 1 / 1

- Date : 21.03.02 09:07

**Type : LFAZ16050035050**



Ø D : 35 mm

L : 50 mm

Terminals : Solder lugs

**Electrical Parameter**

Rated capacitance ( C <sub>R</sub> ) 100 Hz / 20 °C	<b>16+16</b> µF	
Tolerance	<b>-10 +30</b> %	
Rated voltage ( U <sub>R</sub> )	<b>500</b> V	
Peak voltage ( U <sub>P</sub> ) max. 5 x 1 min / h	<b>550</b> V	
Reverse voltage ( U <sub>U</sub> ) max. 1 s	<b>2</b> V	
Leakage current ( I <sub>L</sub> ) U <sub>B</sub> / 5 min / 20 °C	<b>65</b> µA	
ESR typ. 100 Hz / 20°C	<b>8</b> Ω	
Tan δ typ. 100 Hz / 20°C	<b>8</b> %	
Z max. 10 kHz / 20°C	<b>14</b> Ω	
ESL typ.	<b>20</b> nH	
Rated ripple current ( I <sub>R</sub> ) 100 Hz / 85 °C	<b>0,4</b> A	
Useful life @ I <sub>R</sub> , U <sub>R</sub> , 85°C	<b>4000</b> h	
IEC climatic category / standards	<b>40 / 85 / 56</b>	<b>IEC 384</b>
Applications	Tube amplifier	
Your article no. / Project		