

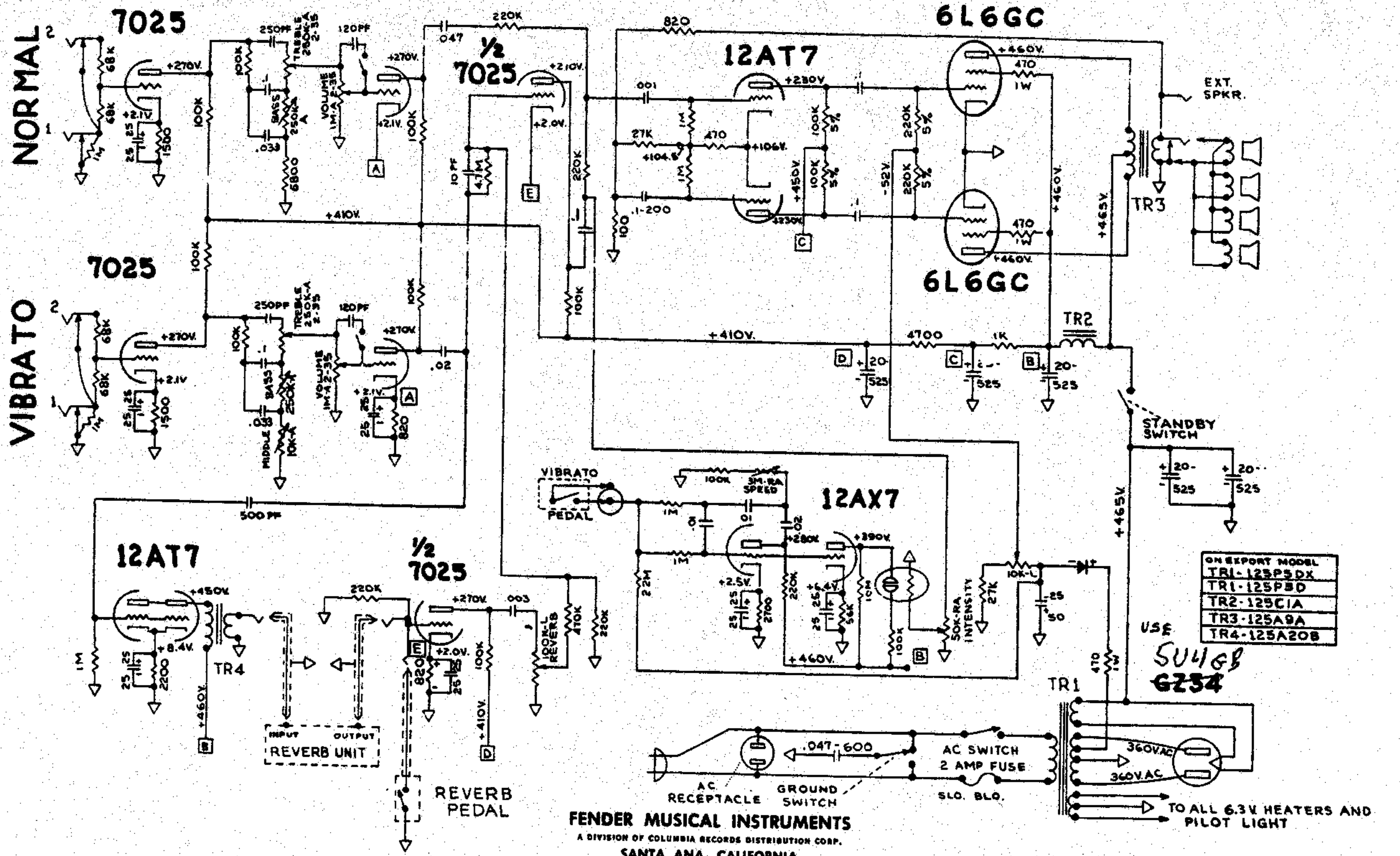
FENDER MODEL "SUPER-REVERB-AMP AA 763" SCHEMATIC

NOTICE

THIS PRODUCT MANUFACTURED UNDER ONE OR MORE OF THE FOLLOWING U.S. PATENTS -
 CIRCUIT PATENT #2817708, #2973681
 DESIGN PATENT #192859
 PATENTS PENDING

K-FC

1. VOLTAGES READ TO GROUND WITH ELECTRONIC VOLTMETER VALUES SHOWN + OR - 20%
2. ALL RESISTORS 1/2 WATT, 10% TOLERANCE IF NOT SPECIFIED
3. ALL CAPACITORS AT LEAST 400 VOLT RATING IF NOT SPECIFIED



FENDER MUSICAL INSTRUMENTS
 A DIVISION OF COLUMBIA RECORDS DISTRIBUTION CORP.
 SANTA ANA, CALIFORNIA
 U.S.A.

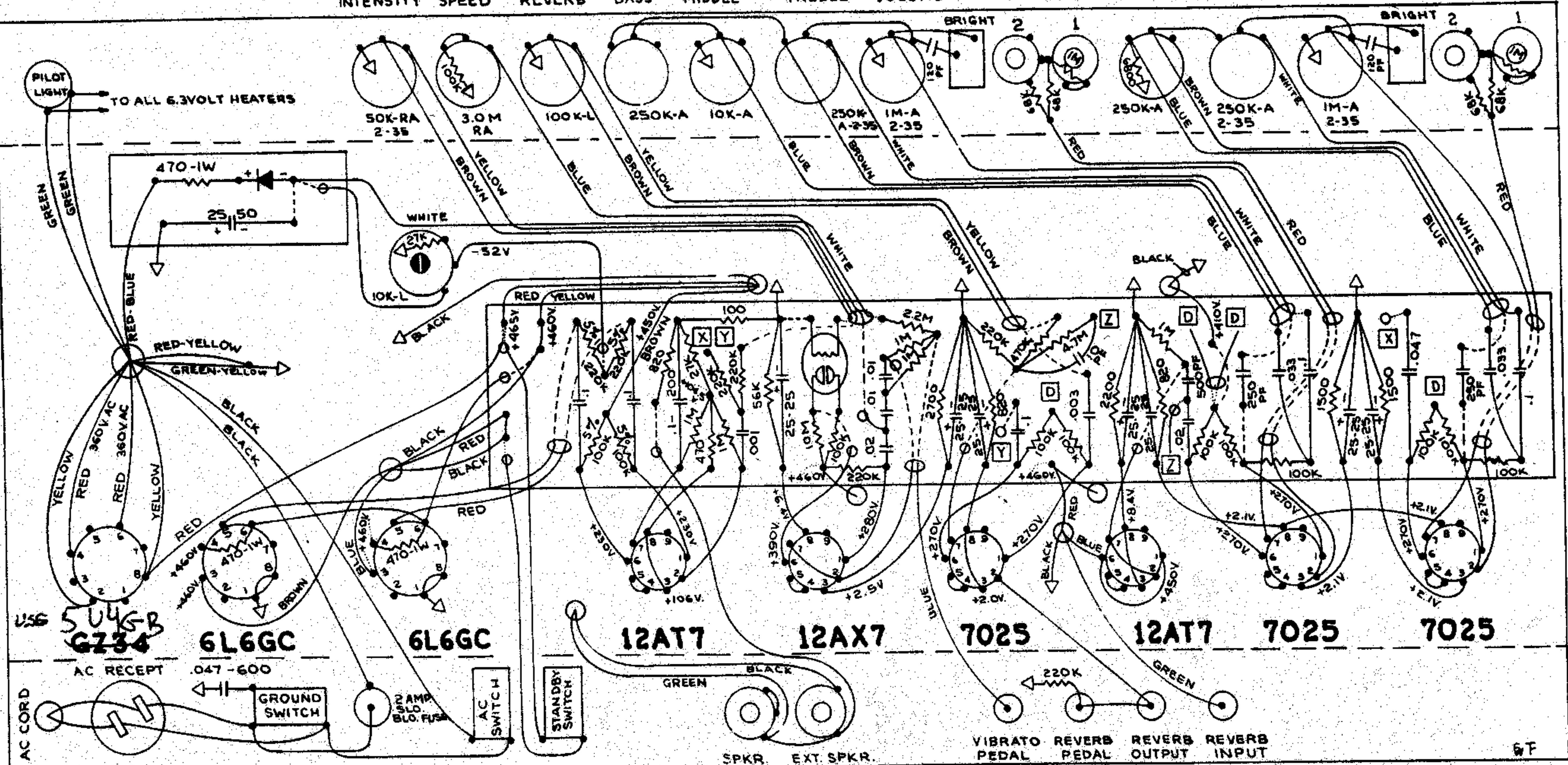
FENDER "SUPER REVERB-AMP AA763" LAYOUT

K-FC

NOTICE

VOLTAGES READ TO GROUND WITH ELECTRONIC VOLTMETER VALUES SHOWN +OR - 20%.

INTENSITY SPEED REVERB BASS MIDDLE TREBLE VOLUME VIBRATO BASS TREBLE VOLUME NORMAL



NOTE: ALL RESISTORS 1/2 WATT 10% TOLERANCE, IF NOT SPECIFIED.

NOTE: ALL CAPACITORS AT LEAST 400 VOLT RATING IF NOT SPECIFIED.